

153001E_HEATING JACKET_STANDARD SEALS_TANK SIDE FLANGE FIXED UNI EN 1092 AND ISO 228 FEMALE ON OUTPUT SIDE



TWO-way ball valve STEM BENT BOTTOM with "STANDARD SEAL" with HEATING JACKET

Use: Valve for tank bottom

Antistatic device ATEX:

II 2G Ex h IIC T4 Gb

II 2D Ex h IIIC T135°C Db

Drive: ISO 5211 - DIN 3337 flange for actuator

Connections: Tank side flange fixed UNI EN 1092 and ISO 228 Female on output side

Flow: Full

Material: Aisi 316L (1.4404)

Measure: from DN40 to DN125

Seals: Modified Virgin P.T.F.E.

Operating temperature: -20°C+170°C

Outer finish: Polished

Screws for mounting actuator included

On request:

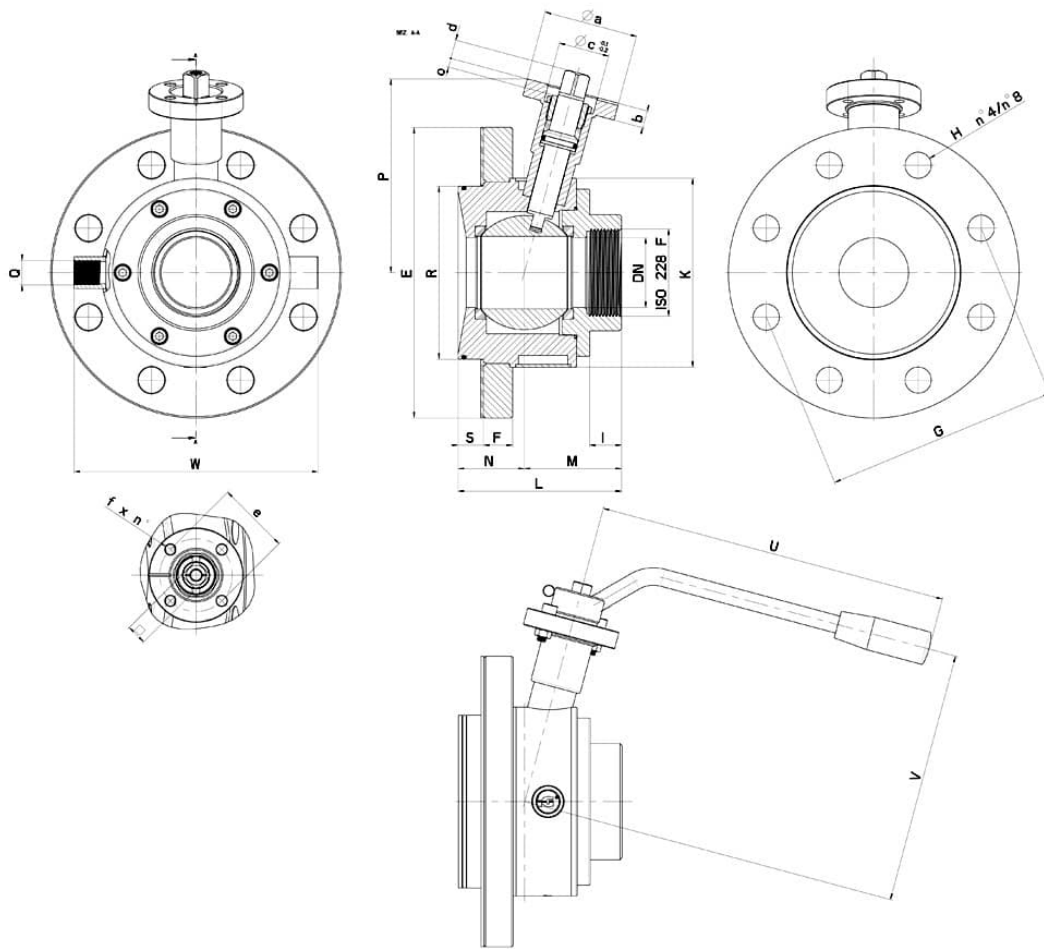
M.O.C.A. CE 1935/2004

• Seals made of:

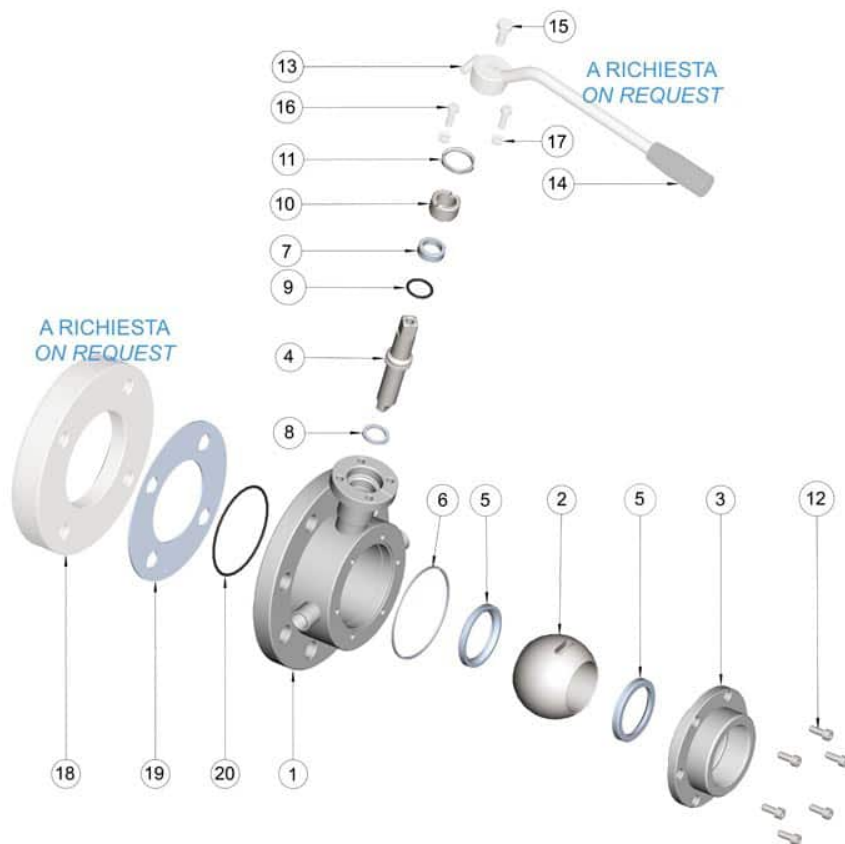
PTFE with inox -20°C+200°C

• MANUAL with LEVER Kit

• Counterflanges for Tank



ISO 228 F	DN	L	PN	N	M	S	F	I	Ø E (Flangia-DN)	Ø R	Ø G	Ø H x n°	K	Q (connessione camicia ISO 228 F)	W	Nm	Kg	CODE AISI 316L
1"1/2	40	108	16	45	63	17	20	22	185 (DN65)	94	145	18 x 4	115	3/8"	154	32	8,00	153001E63410
2"	50	112	16	45,5	67	17,5	20	22	200 (DN80)	119	160	18 x 8	130	3/8"	168	37	9,70	153001E63810
2"1/2	65	134	16	57	81	19,5	22	25	220 (DN100)	138	180	18 x 8	150	1/2"	188	60	14,92	153001E64410
3"	80	156	16	73	91	27,5	22	30	250 (DN125)	165	210	18 x 8	180	1/2"	218	75	21,90	153001E64810
4"	100	172	16	77	97	26,5	24	33	285 (DN150)	190	240	22 x 8	200	1/2"	238	85	28,70	153001E65410
5"	125	220	10	100	125	30	26	35,5	340 (DN200)	215	295	22 x 8	240	1/2"	279	130	50,80	153001E65810



POS.	Denomination	PCS	MAT.
1	Body	1	AISI 316L
2	Ball	1	AISI 316L
3	Sleeve	1	AISI 316L
4	Stem	1	AISI 316L
5	Ball Seals	2	PTFE
6	Sleeve Seal	1	PTFE
7	Stem Seal	1	PTFE
8	Stem Seal	1	PTFE
9	Stem sealing O-Ring	1	FKM (a richiesta EPDM)
10	Register ring	1	AISI 304L (303)
11	Locknut	1	AISI 303
12	Sleeve screw	6	AISI 304L
13	Lever	1	AISI 304L
14	Handle	1	DUROPLAST (PF)
15	Lever screw	1	AISI 304L
16	Stop lever screw	2	AISI 304L
17	Stop lever bolts	2	AISI 304L
18	Counterflange	1	AISI 316L
19	Flanges Seal	1	PTFE
20	Counterflange O-Ring	1	FKM (a richiesta EPDM)

