

## 153001 STANDARD SEALS\_TANK SIDE FLANGE FIXED UNI EN 1092 AND ISO 228 FEMALE ON OUTPUT SIDE



TWO-way ball valve STEM BENT BOTTOM with "STANDARD SEAL"

Use: Valve for tank bottom

Antistatic device ATEX:

II 2G Ex h IIC T4 Gb

II 2D Ex h IIIC T135°C Db

Drive: ISO 5211 - DIN 3337 flange for actuator

Connections: Tank side flange fixed UNI EN 1092 and ISO 228 Female on output side

Flow: Full

Material: Aisi 316L (1.4404)

Measure: from DN40 to DN125

Seals: Modified Virgin P.T.F.E.

Operating temperature: -20°C+170°C

Outer finish: Polished

Screws for mounting actuator included

On request:

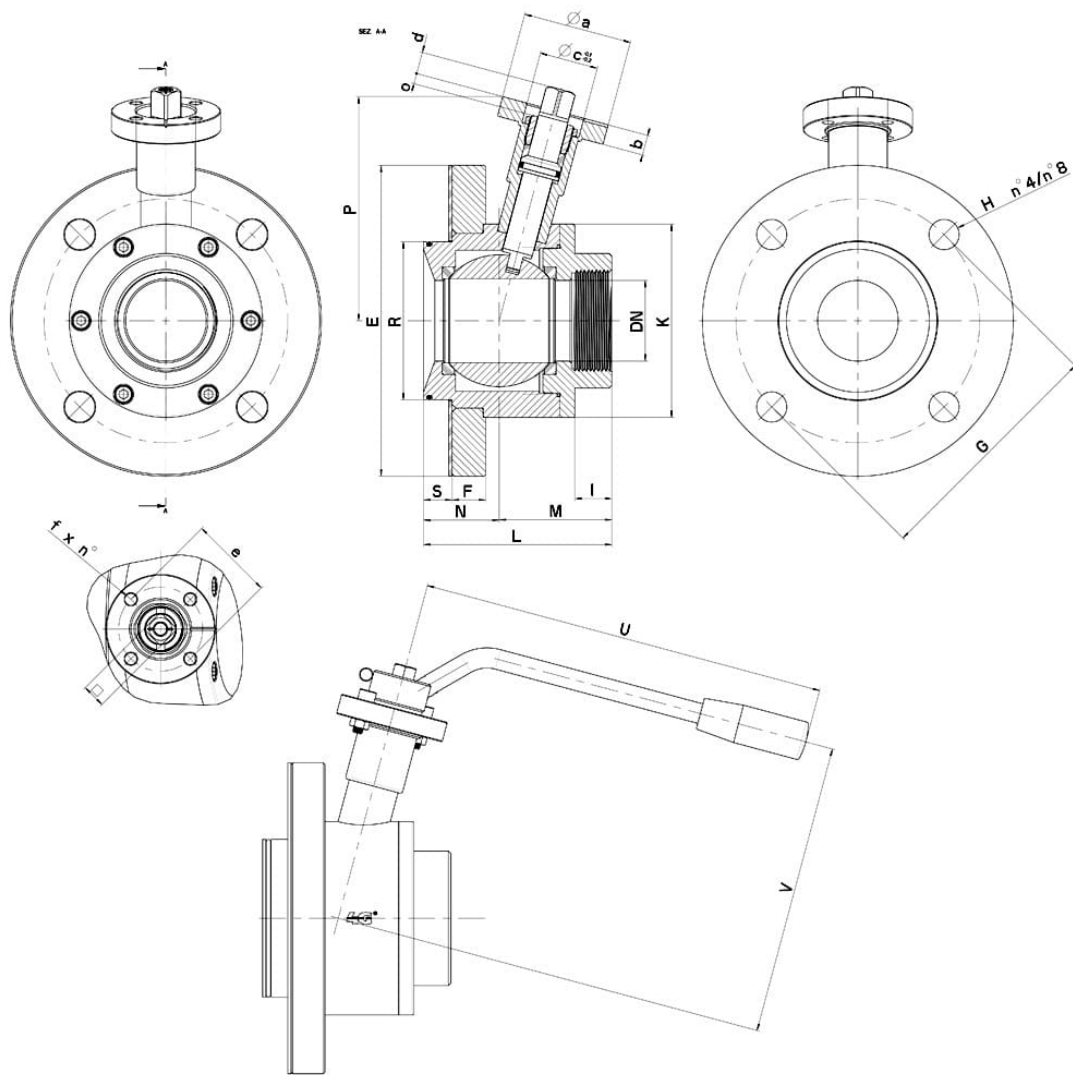
M.O.C.A. CE 1935/2004

• Seals made of:

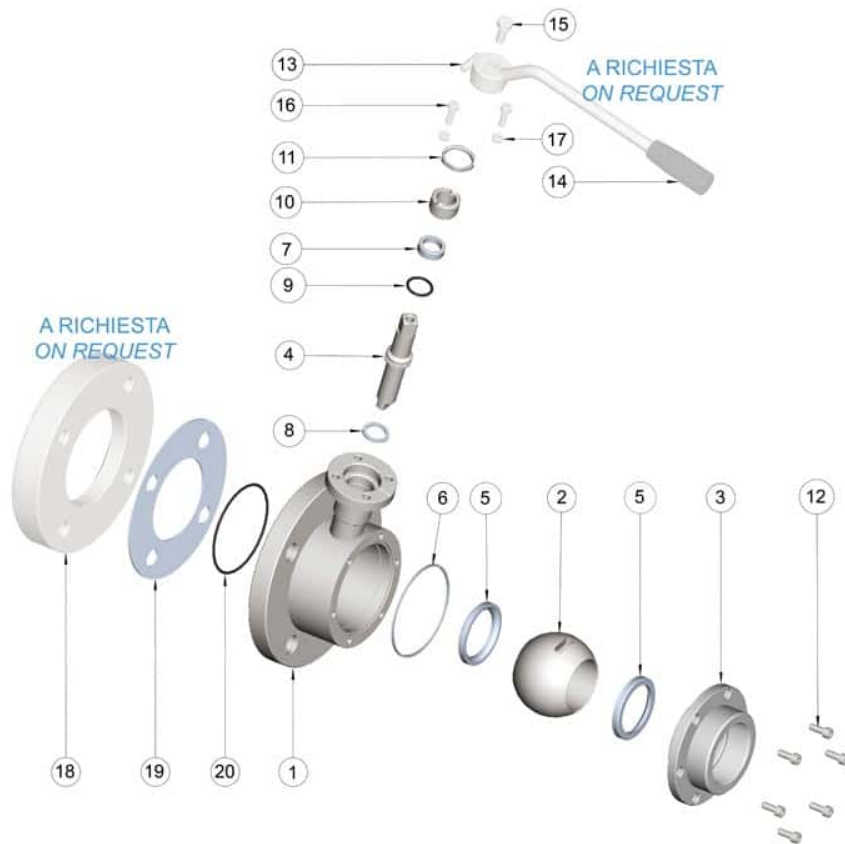
PTFE with inox -20°C+200°C

• MANUAL with LEVER Kit

• Counterflanges for Tank



ISO 228	DN	L	PN	N	M	S	F	I	Ø E (Range-DN)	Ø R	Ø G	Ø H x Ø	Ø K	P	ISO 5211	□	Ø a	b	Ø e	Ø c x Ø	d	Ø f x n*	U	V	Nm	Kg	CODE AISI 316L
1 1/2"	40	108	16	45	63	17	20	22	165 (DN50)	84	125	18 x 4	100	127	F05	14	65	12	50	35 x 3	13	7 x 4	240	178	32	6.60	153001A63410
2"	50	112,5	16	45	67	17	20	22	185 (DN65)	94	145	18 x 4	115	133	F05	14	65	12	50	35 x 3	13	7 x 4	240	185	37	8.20	153001A63810
2 1/2"	65	138	16	53	81	17,5	20	25	200 (DN80)	119	160	18 x 8	140	157	F07	17	90	12	70	55 x 4	15	9 x 4	270	215	60	12.15	153001A64410
3"	80	164	16	65	91	19,5	22	30	220 (DN100)	138	180	18 x 8	155	168	F07	17	90	12	70	55 x 4	15	9 x 4	300	225	75	15,25	153001A64810
4"	100	174	16	75	97	27,5	22	33	250 (DN125)	165	210	18 x 8	185	180	F07	17	90	12	70	55 x 4	17	9 x 4	325	245	85	23.10	153001A65410
5"	125	225	16	95	125	26,5	24	35,5	285 (DN150)	190	240	18 x 8	220	205	F10	22	120	12	102	70 x 4	19	11 x 4	483	286	130	39.10	153001A65810



POS.	Denomination	PCS	MAT.
1	Body	1	AISI 316L
2	Ball	1	AISI 316L
3	Sleeve	1	AISI 316L
4	Stem	1	AISI 316L
5	Ball Seals	2	PTFE
6	Sleeve Seal	1	PTFE
7	Stem Seal	1	PTFE
8	Stem Seal	1	PTFE
9	Stem sealing O-Ring	1	FKM (a richiesta EPDM)
10	Register ring	1	AISI 304L (303)
11	Locknut	1	AISI 303
12	Sleeve screw	6	AISI 304L
13	Lever	1	AISI 304L
14	Handle	1	DUROPLAST (PF)
15	Lever screw	1	AISI 304L
16	Stop lever screw	2	AISI 304L
17	Stop lever bolts	2	AISI 304L
18	Counterflange	1	AISI 316L
19	Flanges Seal	1	PTFE
20	Counterflange O-Ring	1	FKM (a richiesta EPDM)

