

133069 ASEPTIK NORMATIVE DIN 11864-3 REIHE A_BKS FORM A MALE



TWO-way ball valve "Integral Seal"

Drive: ISO 5211 - DIN 3337 flange for actuator

Connection: **ASEPTIK normative DIN 11864-3 REIHE A, BKS Form A.**
For TUBE according to normative DIN 11866-A (DIN 11850 REIHE 2)

Flow: Full and reduced

Material: Aisi 316L (1.4404)

Measure: from DN10 to DN100

Seals: Virgin P.T.F.E.

Operating temperature: -20°C+160°C

Outer finish: Polished

On request:

Sistema antistatico ATEX:

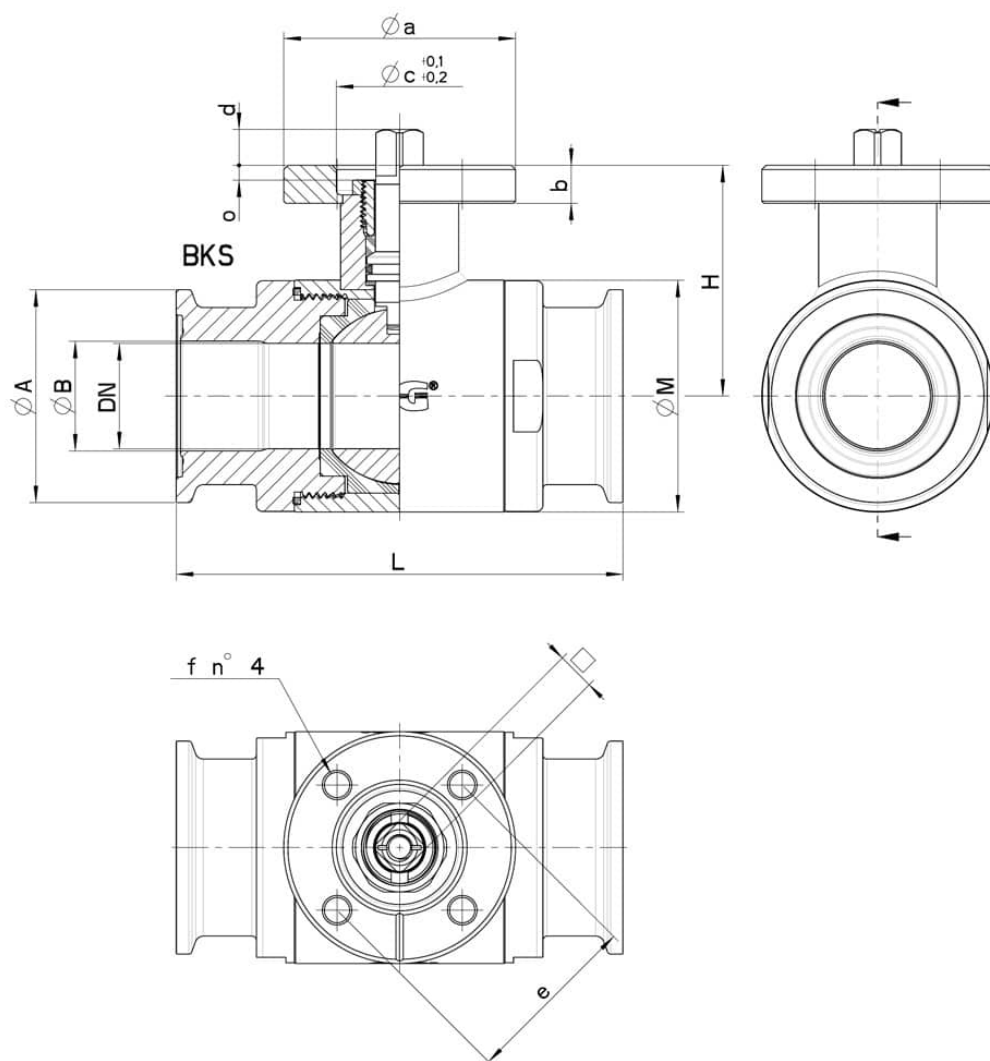
II 2G Ex h IIC T4 Gb

II 2D Ex h IIIC T135°C Db

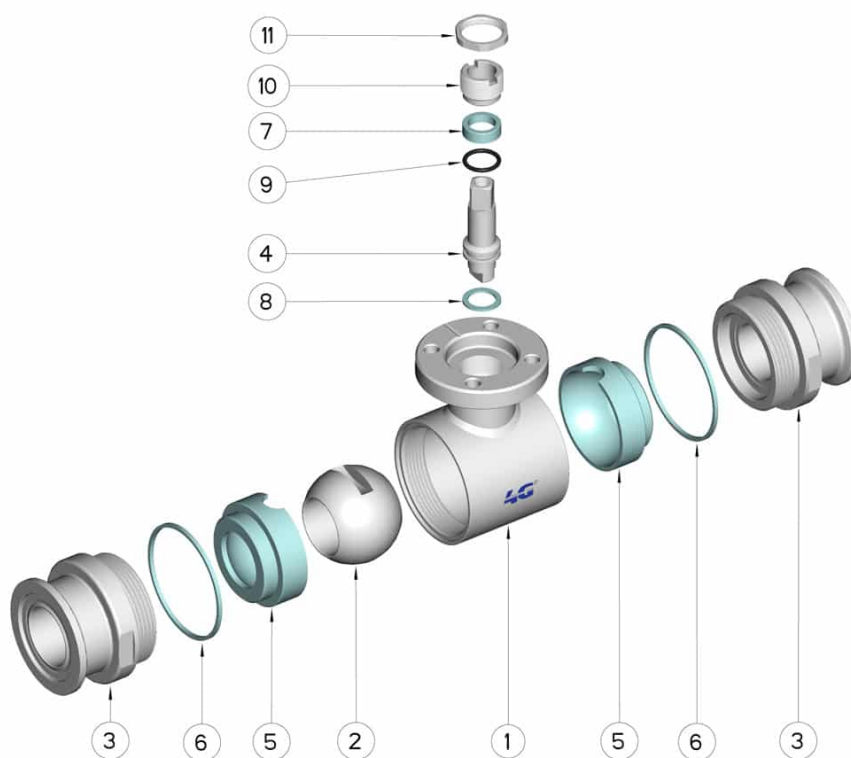
M.O.C.A. CE 1935/2004

• Guarnizioni di tenuta in:

PTFE caricato vetro -20°C+170°C



DN	BKS - Form A	L	Ø A	Ø B	H	Ø M	PN	ISO-DIN	Ø a	b	Ø c x o	□	d	e	f	n° 4 Bolts	Nm	Kg	CODE AISI 316L
10	Ø 34	88	34	10	42	35	100	F.03	46	9	25x3	9	8	36	6	M5x16	6	-	133069 61410
10	Ø 34	88	34	10	42	35	100	F.04	54	9	30x3	11	10	42	6	M5x16	6	-	133069 6141F
15	Ø 34	92	34	16	45	42	100	F.03	46	9	25x3	9	8	36	6	M5x16	9	-	133069 61910
15	Ø 34	92	34	16	45	42	100	F.04	54	9	30x3	11	10	42	6	M5x16	9	-	133069 6191F
20	Ø 50,5	102	50,5	20	52	48	100	F.04	54	9	30x3	11	10	42	6	M5x16	13	-	133069 62010
20	Ø 50,5	102	50,5	20	52	48	100	F.05	65	9	35x3	14	13	50	7	M6x16	13	-	133069 6201F
25	Ø 50,4	106	50,5	26	55	55	64	F.04	54	9	30x3	11	10	42	6	M5x16	22	-	133069 62810
25	Ø 50,4	106	50,5	26	55	55	64	F.05	65	9	35x3	14	13	50	7	M6x16	22	-	133069 6281F
32	Ø 50,4	112	50,5	32	59,5	65	64	F.04	54	9	30x3	11	10	42	6	M5x16	25	-	133069 63010
32	Ø 50,4	112	50,5	32	59,5	65	64	F.05	65	9	35x3	14	13	50	7	M6x16	25	-	133069 6301F
40	Ø 64	126	64	38	79,5	80	64	F.05	65	12	35x4	14	13	50	7	M6x20	32	-	133069 63510
40	Ø 64	126	64	38	79,5	80	64	F.07	90	12	55x4	17	15	70	9	M8x20	32	-	133069 6351F
50	Ø 77,5	136	77,5	50	87	95	40	F.05	65	12	35x4	14	13	50	7	M6x20	37	-	133069 64010
50	Ø 77,5	136	77,5	50	87	95	40	F.07	90	12	55x4	17	15	70	9	M8x20	37	-	133069 6401F
65	Ø 91	154	91	66	94,5	113	40	F.07	90	12	55x4	17	15	70	9	M8x20	60	-	133069 64610
65	Ø 91	154	91	66	94,5	113	40	F.10	125	12	70x4	22	18	102	11	M10x25	60	-	133069 6461F
80	Ø 106	184	106	81	106	140	40	F.07	90	12	55x4	17	15	70	9	M8x20	75	-	103069 64910
80	Ø 106	184	106	81	106	140	40	F.10	125	12	70x4	22	18	102	11	M10x25	75	-	133069 6491F
100	Ø 130	190	130	100	120	167	25	F.07	90	12	55x4	17	15	70	9	M8x20	85	-	133069 65610
100	Ø 130	190	130	100	120	167	25	F.10	125	12	70x4	22	18	102	11	M10x25	85	-	133069 6561F



POS.	Denomination	PCS	MAT.
1	Body	1	AISI 316L
2	Ball	1	AISI 316L
3	Sleeves	2	AISI 316L
4	Stem	1	AISI 316L
5	Ball Seals	2	PTFE
6	Sleeve Seals	2	PTFE
7	Stem Seal	1	PTFE
8	Stem Seal	1	PTFE
9	Stem or-Seal	1	FKM
10	Register ring	1	AISI 304L (303)
11	Locknut	1	AISI 303

