

133056 INTEGRAL SEALS_REVOLVING THREADED FLANGES EN 1759-1 CLASS 300



Two-way ball valve "Integral Seal"

Drive: ISO 5211 - DIN 3337 flange for actuator

Connection: Revolving threaded flanges EN 1759-1 CLASS 300 (exANSI 300)

Flow: full Material: Aisi 316L (1.4404)

Measure: from 1/2" to 4"

Seals: Virgin P.T.F.E.

Operating temperature: -20°C+160°C

Outer finish: Polished

Screws for mounting actuator included

*MOUNTING KIT NEEDED Art. 747500

On request:

Antistatic device ATEX:

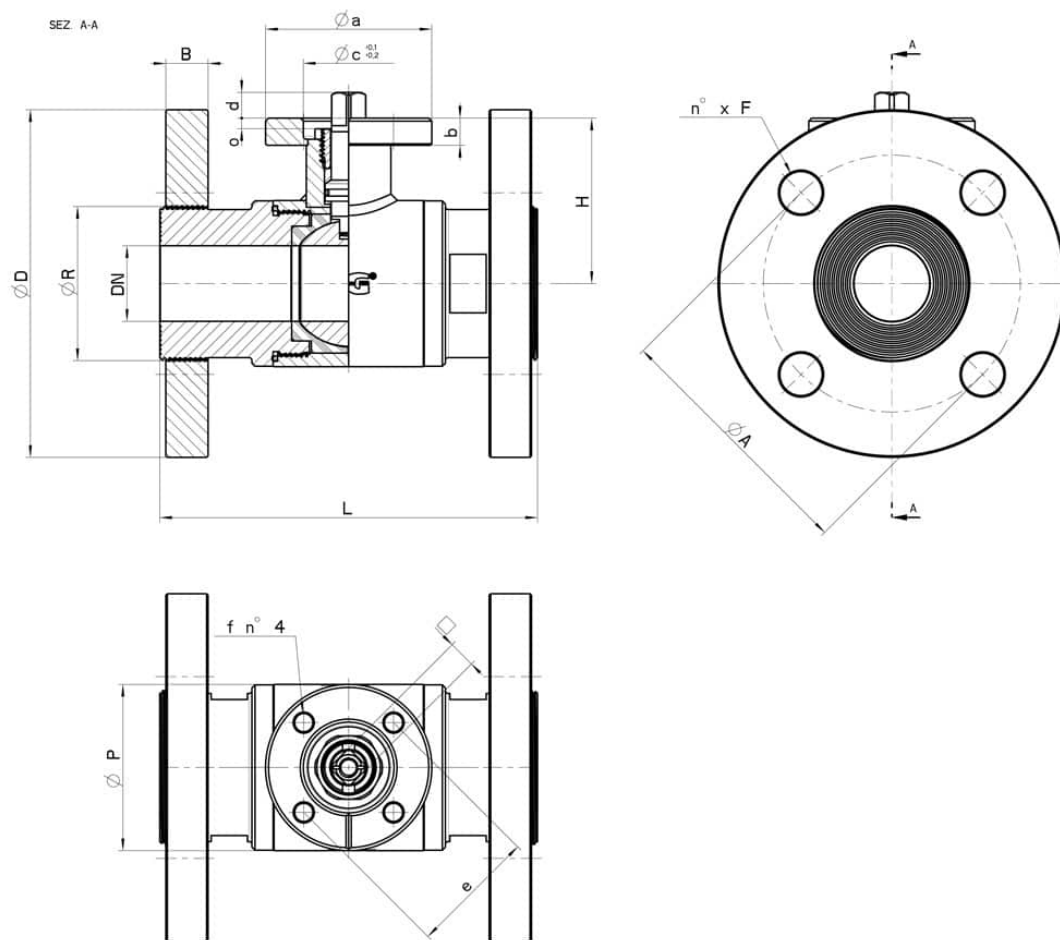
II 2G Ex h IIC T4 Gb

II 2D Ex h IIIC T135°C Db

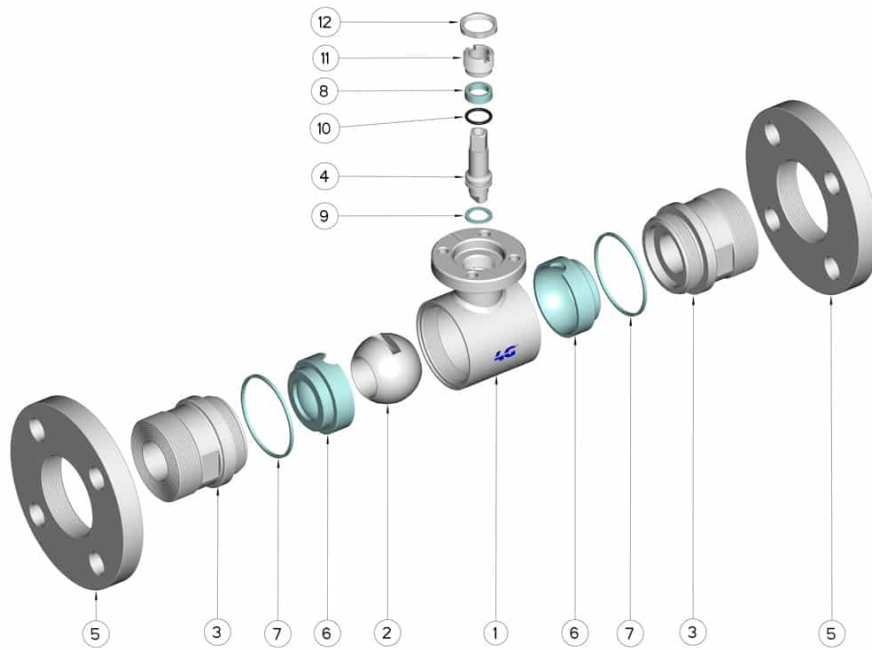
M.O.C.A. CE 1935/2004

• Seals made of:

PTFE with glass -20°C+170°C



ANSI 300	DN	L	H	Ø P	D	B	Ø R	A	n° x F	Kg	ISO-DIN	Ø a	b	Ø c x o	□	d	e	f	n° 4 Bolts	Nm	CODE AISI 304L	CODE AISI 316L
1/2"	15	115	45	42	95	12.7	35	66,7	4 x 15,9	-	F.03	46	9	25x3	9	8	36	6	M5x16	9	-	133056 61410
1/2"	15	115	45	42	95	12.7	35	66,7	4 x 15,9	-	F.04	54	9	30x3	11	10	42	6	M5x16	9	-	133056 6141F
3/4"	20	120	52	48	117	14.3	42	82,6	4 x 19	-	F.04	54	9	30x3	11	10	42	6	M5x16	13	-	133056 62010
3/4"	20	120	52	48	117	14.3	42	82,6	4 x 19	-	F.05	65	9	35x3	14	13	50	7	M5x16	13	-	133056 6201F
1"	25	125	55	55	124	15.9	51	88,9	4 x 19	-	F.04	54	9	30x3	11	10	42	6	M5x16	22	-	133056 62610
1"	25	125	55	55	124	15.9	51	88,9	4 x 19	-	F.05	65	9	35x3	14	13	50	7	M6x16	22	-	133056 6261F
1"1/4	32	130	59,5	65	133	17.4	63	98,4	4 x 19	-	F.04	54	9	30x3	11	10	42	6	M5x16	25	-	133056 63010
1"1/4	32	130	59,5	65	133	17.4	63	98,4	4 x 19	-	F.05	65	9	35x3	14	13	50	7	M6x16	25	-	133056 6301F
1"1/2	40	140	79,5	80	156	19	75	114,3	4 x 22,2	-	F.05	65	12	35x4	14	13	50	7	M6x20	32	-	133056 63410
1"1/2	40	140	79,5	80	156	19	75	114,3	4 x 22,2	-	F.07	90	12	55x4	17	15	70	9	M8x20	32	-	133056 6341F
2"	50	150	87	95	165	20.6	89	127	8 x 19	-	F.05	65	12	35x4	14	13	50	7	M6x20	37	-	133056 63810
2"	50	150	87	95	165	20.6	89	127	8 x 19	-	F.07	90	12	55x4	17	15	70	9	M8x20	37	-	133056 6381F
2"1/2	65	170	94,5	113	190	23.8	110	149,2	8 x 22,2	-	F.07	90	12	55x4	17	15	70	9	M8x20	60	-	133056 64410
2"1/2	65	170	94,5	113	190	23.8	110	149,2	8 x 22,2	-	F.10	125	12	70x4	22	18	102	11	M10x25	60	-	133056 6441F
3"	80	180	106	140	210	27	120	168,3	8 x 22,2	-	F.07	90	12	55x4	17	15	70	9	M8x20	75	-	133056 64810
3"	80	180	106	140	210	27	120	168,3	8 x 22,2	-	F.10	125	12	70x4	22	18	102	11	M10x25	75	-	133056 6481F
4"	100	190	120	167	254	30.2	140	200	8 x 22,2	-	F.07	90	12	55x4	17	15	70	9	M8x20	85	-	133056 65410
4"	100	190	120	167	254	30.2	140	200	8 x 22,2	-	F.10	125	12	70x4	22	18	102	11	M10x25	85	-	133056 6541F



POS.	Denomination	PCS	MAT.
1	Body	1	AISI 316L
2	Ball	1	AISI 316L
3	Sleeves	2	AISI 316L
4	Stem	1	AISI 316L
5	Flanges	2	AISI 316L
6	Ball Seals	2	PTFE
7	Sleeve Seals	2	PTFE
8	Stem Seal	1	PTFE
9	Stem Seal	1	PTFE
10	Stem or-Seal	1	FKM
11	Register ring	1	AISI 304L (303)
12	Locknut	1	AISI 303

