

133050 INTEGRAL SEALS_REVOLVING THREADED FLANGES UNI EN 1092-1



TWO-way ball valve “Integral Seal”

Drive: ISO 5211 - DIN 3337 flange for actuator

Connection: Revolving threaded flanges UNI EN 1092-1

Flow: Full and reduced

Material: Aisi 316L (1.4404)

Measure: from DN10 to DN125

Seals: Virgin P.T.F.E.

Operating temperature: -20°C+160°C

Outer finish: Polished

Screws for mounting actuator included

On request:

Antistatic device ATEX:

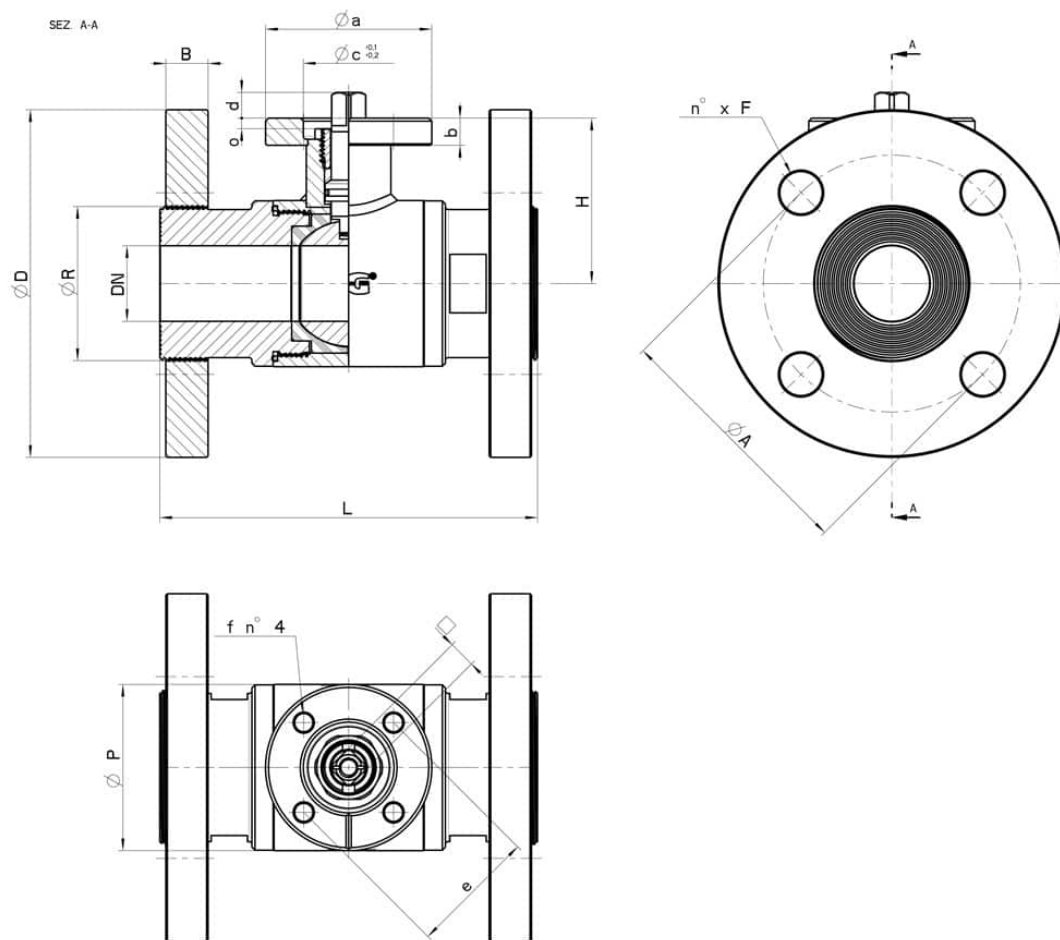
II 2G Ex h IIC T4 Gb

II 2D Ex h IIIC T135°C Db

M.O.C.A. CE 1935/2004

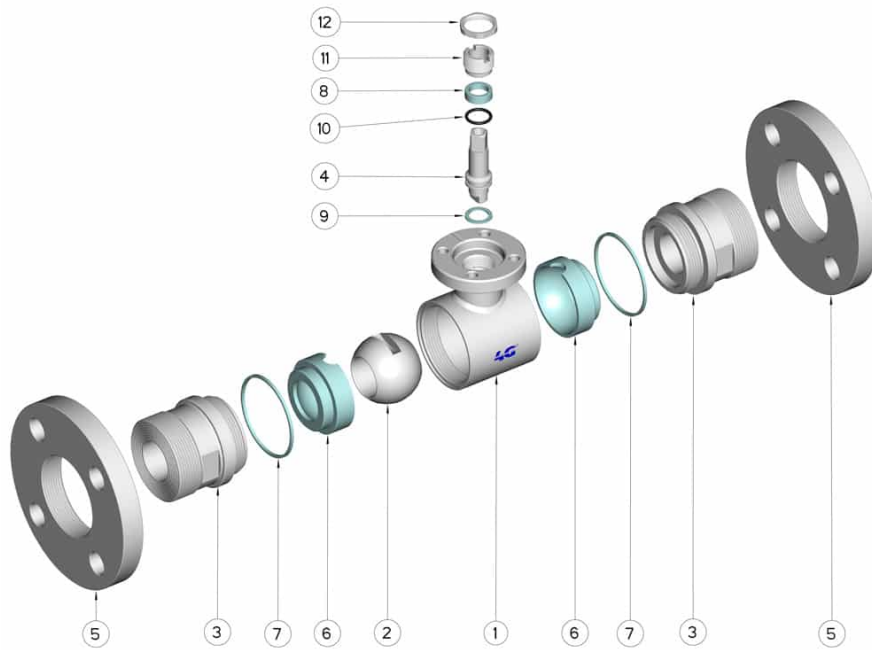
• Seals made of:

PTFE with glass -20°C+170°C



DN	L	H	Ø P	D	B	R	A	n° x F	PN	Kg	ISO-DIN	Ø a	b	c x o	□	d	e	f	n° 4 Bolts	Nm	CODE AISI 316L
10 *	110	42	35	90	12	30	60	4 x 14	40	1,76	F.03	46	9	25x3	9	8	36	6	M5x16	6	133050 60810
10 *	110	42	35	90	12	30	60	4 x 14	40	1,80	F.04	54	9	30x3	11	10	42	6	M5x16	6	133050 6081F
15 *	115	45	42	95	12	35	65	4 x 14	40	1,93	F.03	46	9	25x3	9	8	36	6	M5x16	9	133050 61410
15 *	115	45	42	95	12	35	65	4 x 14	40	2,01	F.04	54	9	30x3	11	10	42	6	M5x16	9	133050 6141F
20 *	120	52	48	105	14	42	75	4 x 14	40	3,12	F.04	54	9	30x3	11	10	42	6	M5x16	13	133050 62010
20 *	120	52	48	105	14	42	75	4 x 14	40	3,20	F.05	65	9	35x3	14	13	50	7	M6x16	13	133050 6201F
25 *	125	55	55	115	14	51	85	4 x 14	40	3,50	F.04	54	9	30x3	11	10	42	6	M5x16	22	133050 62610
25 *	125	55	55	115	14	51	85	4 x 14	40	3,67	F.05	65	9	35x3	14	13	50	7	M6x16	22	133050 6261F
32 *	130	59,5	65	140	16	63	100	4 x 18	40	5,18	F.04	54	9	30x3	11	10	42	6	M5x16	25	133050 63010
32 *	130	59,5	65	140	16	63	100	4 x 18	40	5,25	F.05	65	9	35x3	14	13	50	7	M6x16	25	133050 6301F
40	140	79,5	80	150	16	75	110	4 x 18	40	6,45	F.05	65	12	35x4	14	13	50	7	M6x20	32	133050 63410
40	140	79,5	80	150	16	75	110	4 x 18	40	6,62	F.07	90	12	55x4	17	15	70	9	M8x20	32	133050 6341F
50	150	87	95	165	18	89	125	4 x 18	40	8,30	F.05	65	12	35x4	14	13	50	7	M6x20	37	133050 63810
50	150	87	95	165	18	89	125	4 x 18	40	8,42	F.07	90	12	55x4	17	15	70	9	M8x20	37	133050 6381F
65	170	94,5	113	185	18	110	145	4 x 18	16	12,97	F.07	90	12	55x4	17	15	70	9	M8x20	60	133050 64410
65	170	94,5	113	185	18	110	145	4 x 18	16	13,25	F.10	125	12	70x4	22	18	102	11	M10x25	60	133050 6441F
65	170	94,5	113	185	20	110	145	8 x 18	40	-	F.07	90	12	55x4	17	15	70	9	M8x20	60	133052 64410
65	170	94,5	113	185	20	110	145	8 x 18	40	-	F.10	125	12	70x4	22	18	102	11	M10x25	60	133052 6441F
80	180	106	140	200	18	120	160	8 x 18	16	17,55	F.07	90	12	55x4	17	15	70	9	M8x20	75	133050 64810
80	180	106	140	200	18	120	160	8 x 18	16	17,85	F.10	125	12	70x4	22	18	102	11	M10x25	75	133050 6481F
80	180	106	140	200	24	120	160	8 x 18	40	-	F.07	90	12	55x4	17	15	70	9	M8x20	75	133052 64810
80	180	106	140	200	24	120	160	8 x 18	40	-	F.10	125	12	70x4	22	18	102	11	M10x25	75	133052 6481F
100	190	120	167	220	20	140	180	8 x 18	16	22,50	F.07	90	12	55x4	17	15	70	9	M8x20	85	133050 65410
100	190	120	167	220	20	140	180	8 x 18	16	23,00	F.10	125	12	70x4	22	18	102	11	M10x25	85	133050 6541F
100	190	120	167	235	24	140	190	8 x 22	25	-	F.07	90	12	55x4	17	15	70	9	M8x20	85	133052 65410

100	190	120	167	235	24	140	190	8 x 22	25	-	F.10	125	12	70x4	22	18	102	11	M10x25	85	133052 6541F
125 Reduced 100	200	120	167	250	22	153	210	8 x 18	16	-	F.07	90	12	55x4	17	15	70	9	M8x20	85	133050 65510
125 Reduced 100	200	120	167	250	22	153	210	8 x 18	16	-	F.10	125	12	70x4	22	18	102	11	M10x25	85	133050 6551F



POS.	Denomination	PCS	MAT.
1	Body	1	AISI 316L
2	Ball	1	AISI 316L
3	Sleeves	2	AISI 316L
4	Stem	1	AISI 316L
5	Flanges	2	AISI 316L
6	Ball Seals	2	PTFE
7	Sleeve Seals	2	PTFE
8	Stem Seal	1	PTFE
9	Stem Seal	1	PTFE
10	Stem or-Seal	1	FKM
11	Register ring	1	AISI 304L (303)
12	Locknut	1	AISI 303

