

133045 INTEGRAL SEALS - F/M SMS



TWO-way ball valve "Integral Seal"

Drive: ISO 5211 - DIN 3337 flange for actuator

Connection: SMS female/male

Flow: Full

Material: Aisi 316L (1.4404)

Measure: from DN20 to DN100

Seals: Virgin P.T.F.E.

Operating temperature: -20°C+160°C

Outer finish: Polished

Screws for mounting actuator included

On request:

Antistatic device ATEX:

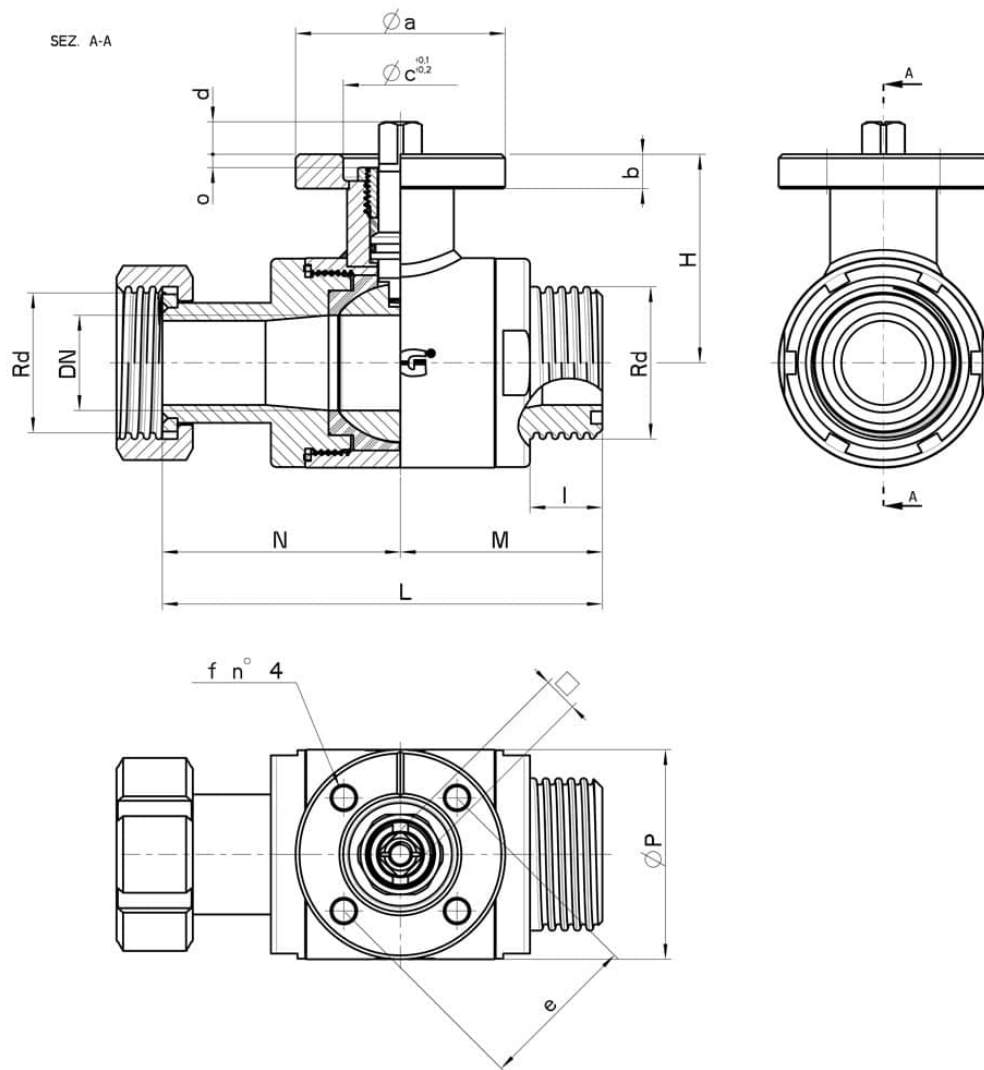
II 2G Ex h IIC T4 Gb

II 2D Ex h IIIC T135°C Db

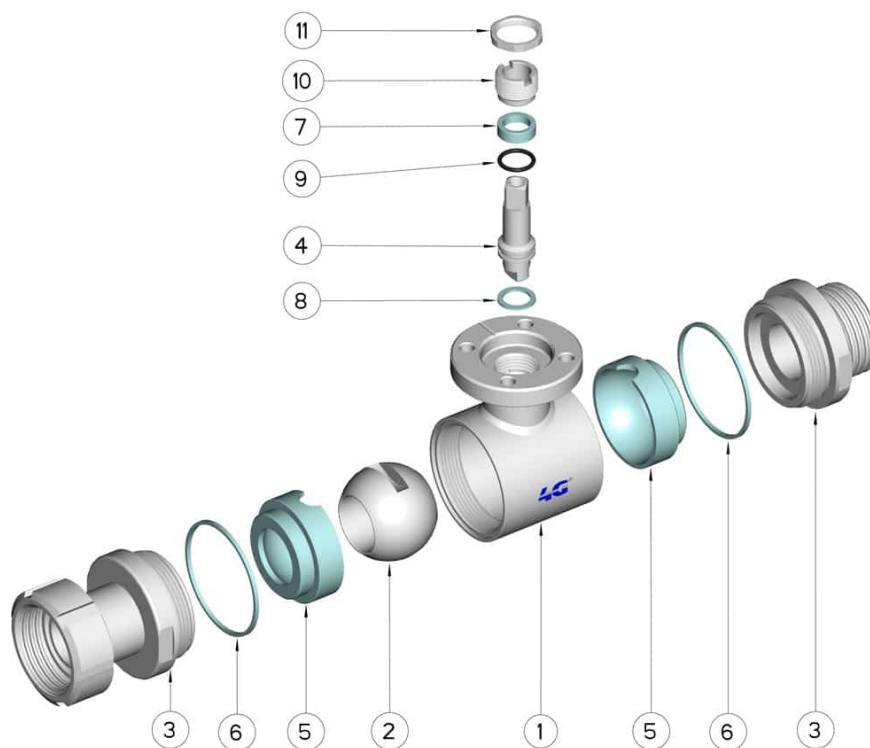
M.O.C.A. CE 1935/2004

• Seals made of:

PTFE with glass -20°C+170°C



DN	SMS	Rd	L	M	N	I	H	Ø P	PN	Kg	ISO-DIN	Ø a	b	Ø c x o	□	d	e	f	n° 4 Bolts	Nm	CODE AISI 316L
20	(Reduced) 25	40 x 1/6"	108	51	57	20	52	48	100	-	F.04	54	9	30x3	11	10	42	6	M5x16	13	133045 62410
20	(Reduced) 25	40 x 1/6"	108	51	57	20	52	48	100	-	F.05	65	9	35x3	14	13	50	7	M6x16	13	133045 6241F
25	25	40 x 1/6"	115	53	62	20	55	55	64	-	F.04	54	9	30x3	11	10	42	6	M5x16	22	133045 62610
25	25	40 x 1/6"	115	53	62	20	55	55	64	-	F.05	65	9	35x3	14	13	50	7	M6x16	22	133045 6261F
40	38	60 x 1/6"	135	63	72	25	79,5	80	64	-	F.05	65	12	35x4	14	13	50	7	M6x20	32	133045 63410
40	38	60 x 1/6"	135	63	72	25	79,5	80	64	-	F.07	90	12	55x4	17	15	70	9	M8x20	32	133045 6341F
50	51	70 x 1/6"	146	68	78	26	87	95	40	-	F.05	65	12	35x4	14	13	50	7	M6x20	37	133045 63810
50	51	70 x 1/6"	146	68	78	26	87	95	40	-	F.07	90	12	55x4	17	15	70	9	M8x20	37	133045 6381F
65	63	85 x 1/6"	166	77	89	30	94,5	113	40	-	F.07	90	12	55x4	17	15	70	9	M8x20	60	133045 64410
65	63	85 x 1/6"	166	77	89	30	94,5	113	40	-	F.10	125	12	70x4	22	18	102	11	M10x25	60	133045 6441F
65	(Reduced) 76	98 x 1/6"	168	77	91	30	94,5	113	40	-	F.07	90	12	55x4	17	15	70	9	M8x20	60	133045 64510
65	(Reduced) 76	98 x 1/6"	168	77	91	30	94,5	113	40	-	F.10	125	12	70x4	22	18	102	11	M10x25	60	133045 6451F
80	76	98 x 1/6"	191	92	99	32	106	140	40	-	F.07	90	12	55x4	17	15	70	9	M8x20	75	133045 64810
80	76	98 x 1/6"	191	92	99	32	106	140	40	-	F.10	125	12	70x4	22	18	102	11	M10x25	75	133045 6481F
100	104	125 x 1/4"	198	95	103	32	120	167	25	-	F.07	90	12	55x4	17	15	70	9	M8x20	85	133045 65410
100	104	125 x 1/4"	198	95	103	32	120	167	25	-	F.10	125	12	70x4	22	18	102	11	M10x25	85	133045 6541F
100	101	132 x 1/8"	198	95	103	32	120	167	25	-	F.07	90	12	55x4	17	15	70	9	M8x20	85	133045 65510
100	101	132 x 1/8"	198	95	103	32	120	167	25	-	F.10	125	12	70x4	22	18	102	11	M10x25	85	133045 6551F



POS.	Denomination	PCS	MAT.
1	Body	1	AISI 316L
2	Ball	1	AISI 316L
3	Sleeves	2	AISI 316L
4	Stem	1	AISI 316L
5	Ball Seals	2	PTFE
6	Sleeve Seals	2	PTFE
7	Stem Seal	1	PTFE
8	Stem Seal	1	PTFE
9	Stem or-Seal	1	FKM
10	Register ring	1	AISI 304L (303)
11	Locknut	1	AISI 303

