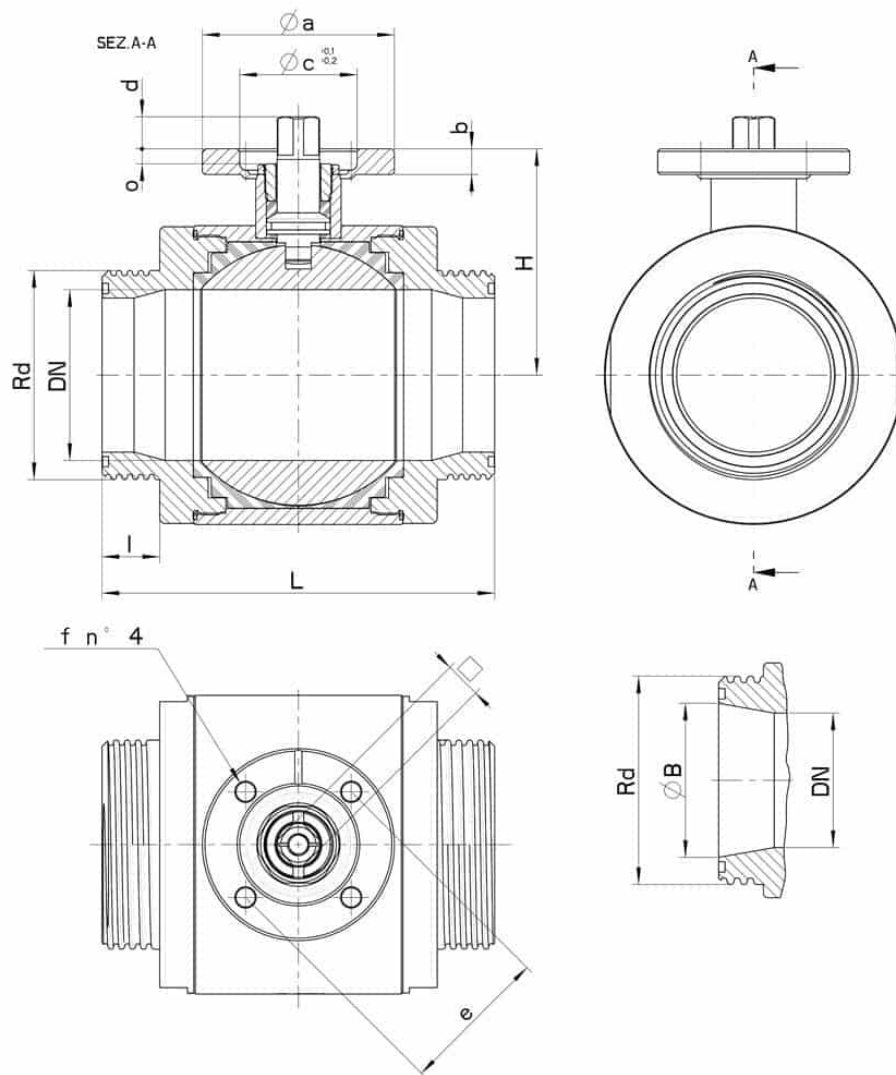


133044 INTEGRAL SEALS - F/F SMS

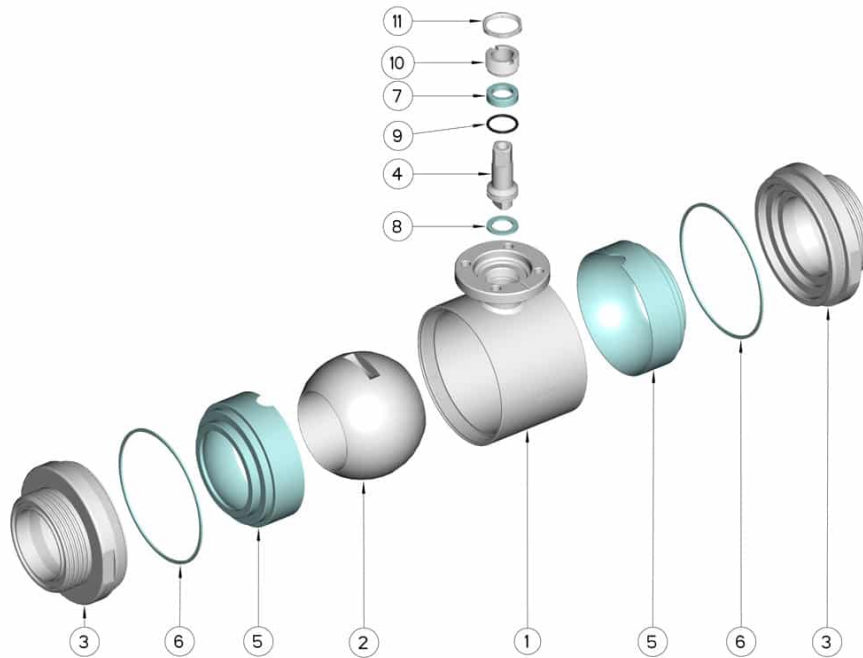


TWO-way ball valve
Drive: ISO 5211 - DIN 3337 flange for actuator
Connection: SMS female/female
Flow: Full
Material: Aisi 316L (1.4404)
Measure: from DN20 to DN100
Seals: Virgin P.T.F.E.
Operating temperature: -20°C+160°C
Outer finish: Polished
Screws for mounting actuator included

On request:
Antistatic device ATEX:
II 2G Ex h IIC T4 Gb
II 2D Ex h IIIC T135°C Db
M.O.C.A. CE 1935/2004
• Seals made of:
PTFE with glass -20°C+170°C



DN	Ø B	SMS	Rd	L	I	H	PN	Kg	ISO-DIN	Ø a	b	Ø c x e	□	d	e	f	n° 4 Bolts	Nm	CODE AISI 316L
20	22.1	(Reduced) 25	40 x 1/6"	102	19	52	100	-	F.04	54	9	30x3	11	10	42	6	M5x16	13	133044 62410
20	22.1	(Reduced) 25	40 x 1/6"	102	19	52	100	-	F.05	65	9	35x3	14	13	50	7	M6x16	13	133044 6241F
25	22.1	25	40 x 1/6"	106	19	55	64	-	F.04	54	9	30x3	11	10	42	6	M5x16	22	133044 62610
25	22.1	25	40 x 1/6"	106	19	55	64	1,36	F.05	65	9	35x3	14	13	50	7	M6x16	22	133044 6261F
40	35.5	38	60 x 1/6"	126	19	79.5	64	3,02	F.05	65	12	35x4	14	13	50	7	M6x20	32	133044 63410
40	35.5	38	60 x 1/6"	126	19	79.5	64	-	F.07	90	12	55x4	17	15	70	9	M8x20	32	133044 6341F
50	48.5	51	70 x 1/6"	136	20	87	40	4,28	F.05	65	12	35x4	14	13	50	7	M6x20	37	133044 63810
50	48.5	51	70 x 1/6"	136	20	87	40	4,32	F.07	90	12	55x4	17	15	70	9	M8x20	37	133044 6381F
65	60.2	63	85 x 1/6"	154	22	94.5	40	6,42	F.07	90	12	55x4	17	15	70	9	M8x20	60	133044 64410
65	60.2	63	85 x 1/6"	154	22	94.5	40	-	F.10	125	12	70x4	22	18	102	11	M10x25	60	133044 6441F
65	72.2	(Reduced) 76	98 x 1/6"	154	22	94.5	40	6,84	F.07	90	12	55x4	17	15	70	9	M8x20	60	133044 64510
65	72.2	(Reduced) 76	98 x 1/6"	154	22	94.5	40	-	F.10	125	12	70x4	22	18	102	11	M10x25	60	133044 6451F
80	72.2	76	98 x 1/6"	184	27	106	40	11,08	F.07	90	12	55x4	17	15	70	9	M8x20	75	133044 64810
80	72.2	76	98 x 1/6"	184	27	106	40	-	F.10	125	12	70x4	22	18	102	11	M10x25	75	133044 6481F
100	98	104	125 x 1/4"	190	33	120	25	-	F.07	90	12	55x4	17	15	70	9	M8x20	85	133044 65410
100	98	104	125 x 1/4"	190	33	120	25	15,80	F.10	125	12	70x4	22	18	102	11	M10x25	85	133044 6541F
100	98	101	132 x 1/6"	190	33	120	25	-	F.07	90	12	55x4	17	15	70	9	M8x20	85	133044 65510
100	98	101	132 x 1/6"	190	33	120	25	-	F.10	125	12	70x4	22	18	102	11	M10x25	85	133044 6551F



POS.	Denomination	PCS	MAT.
1	Body	1	AISI 316L
2	Ball	1	AISI 316L
3	Sleeves	2	AISI 316L
4	Stem	1	AISI 316L
5	Ball Seals	2	PTFE
6	Sleeve Seals	2	PTFE
7	Stem Seal	1	PTFE
8	Stem Seal	1	PTFE
9	Stem or-Seal	1	FKM
10	Register ring	1	AISI 304L (303)
11	Locknut	1	AISI 303

