

## 133042\_INTEGRAL SEALS\_BUTT-WELDING IN ACCORDING TO BS-OD (ASTM A-270)



TWO-way ball valve “Integral Seal”

Drive: ISO 5211 - DIN 3337 flange for actuator

Connection: Butt-welding in according to BS-OD (ASTM A-270)

Flow: Full

Material: Aisi 316L (1.4404)

Measure: from DN 10 to DN 100

Seals: Virgin P.T.F.E.

Operating temperature: -20°C+160°C

Outer finish: Polished

Screws for mounting actuator included

On request:

Antistatic device ATEX:

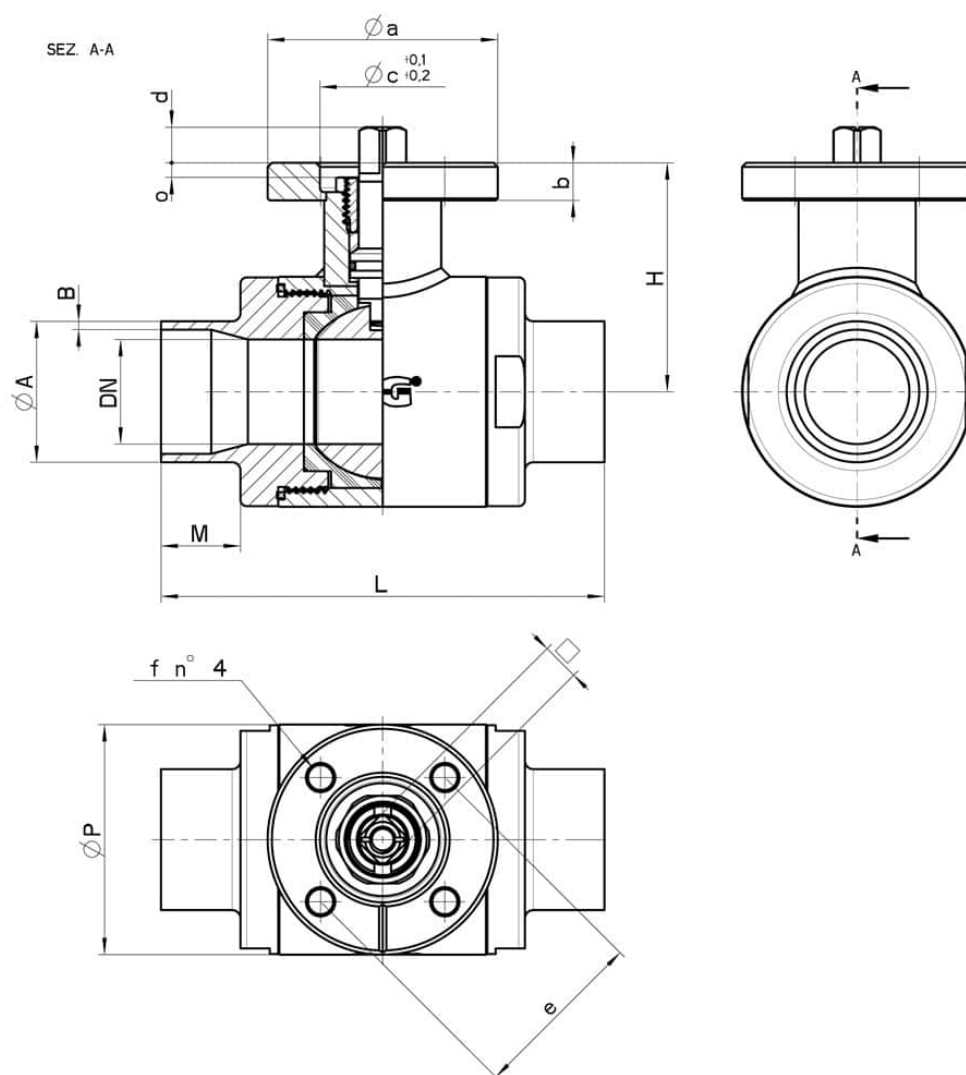
II 2G Ex h IIC T4 Gb

II 2D Ex h IIIC T135°C Db

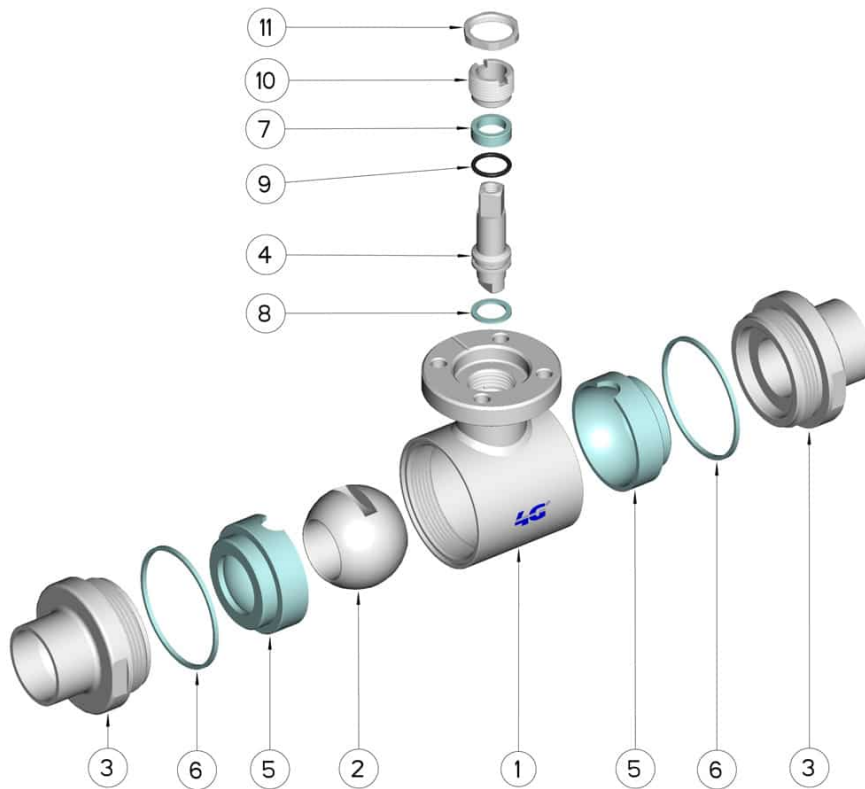
M.O.C.A. CE 1935/2004

• Seals made of:

PTFE with glass -20°C+170°C



DN	L	Ø A x B	M	H	Ø P	PN	Kg	ISO-DIN	Ø a	b	Ø c x o	□	d	e	f	n° 4 Bolts	Nm	COD. AISI 316L
10	88	12.7 x 1.65	/	42	35	100	-	F.03	46	9	25x3	9	8	36	6	M5x16	6	133042 6A710
10	88	12.7 x 1.65	/	42	35	100	-	F.04	54	9	30x3	11	10	42	6	M5x16	6	133042 6A71F
15	92	19.05 x 1.65	16	45	42	100	-	F.03	46	9	25x3	9	8	36	6	M5x16	9	133042 6B910
15	92	19.05 x 1.65	16	45	42	100	0,62	F.04	54	9	30x3	11	10	42	6	M5x16	9	133042 6B91F
20	102	25.4 x 1.65	16	52	48	100	0,68	F.04	54	9	30x3	11	10	42	6	M5x16	13	133042 6D710
20	102	25.4 x 1.65	16	52	48	100	-	F.05	65	9	35x3	14	13	50	7	M6x16	13	133042 6D71F
25	106	25.4 x 1.65	19	55	55	64	-	F.04	54	9	30x3	11	10	42	6	M5x16	22	133042 6D810
25	106	25.4 x 1.65	19	55	55	64	1,26	F.05	65	9	35x3	14	13	50	7	M6x16	22	133042 6D81F
32	112	38.1 x 1.65	19	59.5	65	64	-	F.04	54	9	30x3	11	10	42	6	M5x16	25	133042 6J910
32	112	38.1 x 1.65	19	59.5	65	64	-	F.05	65	9	35x3	14	13	50	7	M6x16	25	133042 6J91F
40	126	38.1 x 1.65	19	79.5	80	64	2,76	F.05	65	12	35x4	14	13	50	7	M6x20	32	133042 6K110
40	126	38.1 x 1.65	19	79.5	80	64	2,90	F.07	90	12	55x4	17	15	70	9	M8x20	32	133042 6K11F
50	136	50.8 x 1.65	19	87	95	40	3,40	F.05	65	12	35x4	14	13	50	7	M6x20	37	133042 6M810
50	136	50.8 x 1.65	19	87	95	40	-	F.07	90	12	55x4	17	15	70	9	M8x20	37	133042 6M81F
65	154	63.5 x 1.65	21	94,5	113	40	-	F.07	90	12	55x4	17	15	70	9	M8x20	60	133042 6R710
65	154	63.5 x 1.65	21	94,5	113	40	-	F.10	125	12	70x4	22	18	102	11	M10x25	60	133042 6R71F
80	184	76.1 x 2	27	108.5	140	40	10,50	F.07	90	12	55x4	17	15	70	9	M8x20	75	133042 6U710
80	184	76.1 x 2	27	108.5	140	40	-	F.10	125	12	70x4	22	18	102	11	M10x25	75	133042 6U71F
100	190	101.6 x 2.11	27	120	167	25	14,20	F.07	90	12	55x4	17	15	70	9	M8x20	85	133042 6X410
100	190	101.6 x 2.11	27	120	167	25	14,64	F.10	125	12	70x4	22	18	102	11	M10x25	85	133042 6X41F



POS.	Denomination	PCS	MAT.
1	Body	1	AISI 316L
2	Ball	1	AISI 316L
3	Sleeves	2	AISI 316L
4	Stem	1	AISI 316L
5	Ball Seals	2	PTFE
6	Sleeve Seals	2	PTFE
7	Stem Seal	1	PTFE
8	Stem Seal	1	PTFE
9	Stem or-Seal	1	FKM
10	Register ring	1	AISI 304L (303)
11	Locknut	1	AISI 303

