

## 133030C FOR ISO PIPE - HEATING JACKET



TWO-way ball valve "Integral Seal" with HEATING JACKET

Drive: **ISO 5211 - DIN 3337 flange for actuator**

**Connection: CLAMP normative DIN 32676 TAB.3 REIHE B**

**For TUBE according to normative ISO 1127**

Flow: Full and reduced

Material: Aisi 316L (1.4404)

Measure: from DN25 to DN100

Seals: virgin P.T.F.E.

Operating temperature: -20°C+160°C

Outer finish: Polished

Screws for mounting actuator included

On request:

Antistatic device ATEX:

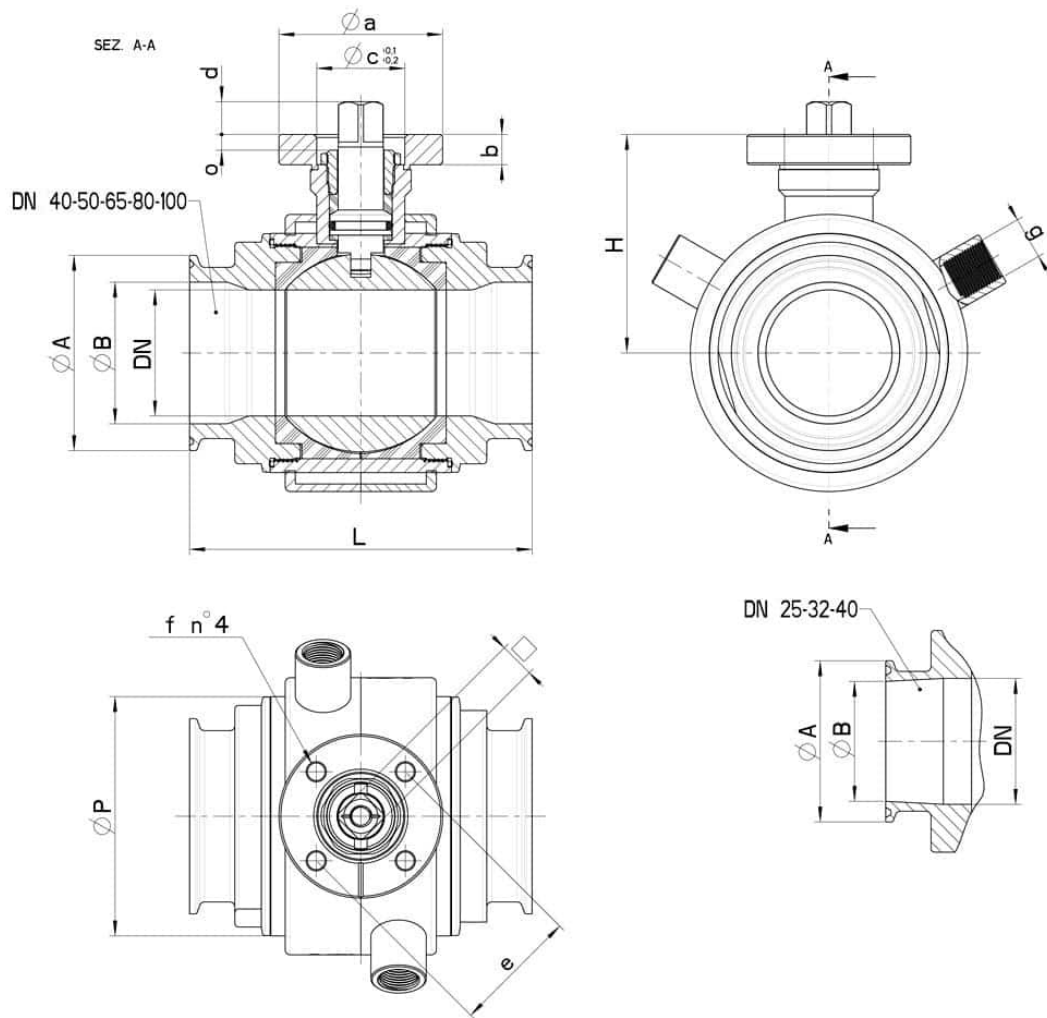
II 2G Ex h IIC T4 Gb

II 2D Ex h IIIC T135°C Db

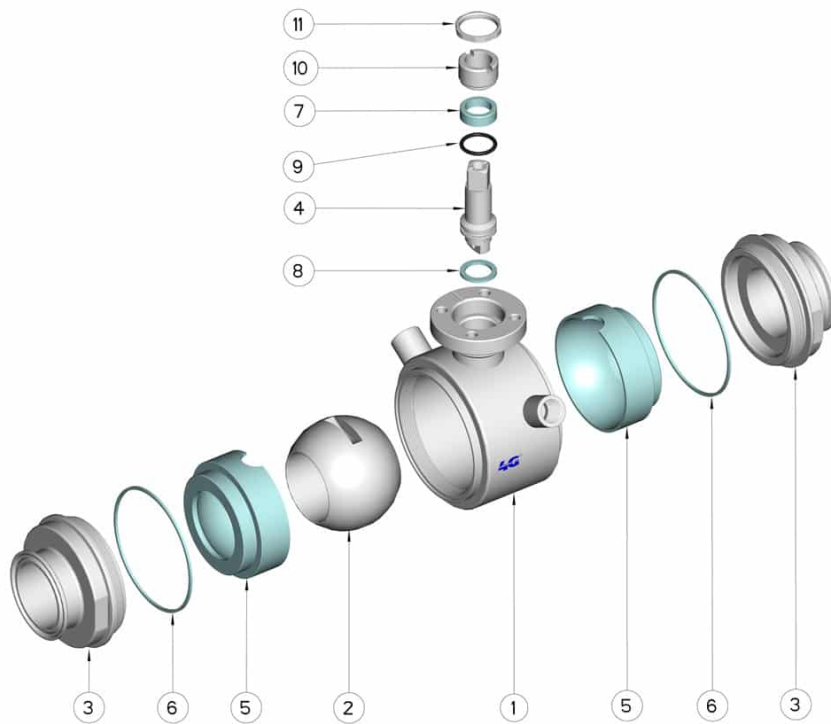
M.O.C.A. CE 1935/2004

• Seals made of:

PTFE with glass -20°C+170°C



CLAMP SERIE B DN/OD	DN	L	Ø A	Ø B	H	ØP	g	PN	Kg	ISO-DIN	Ø a	b	Ø c <sub>o</sub>	□	d	e	f	n° 4 Bolts	Nm	CODE AISI 316L
26.9	25	106	50,5	23.7	55	55	1/4"	64	-	F.04	54	9	30x3	11	10	42	6	M5x16	22	133030C62510
26.9	25	106	50,5	23.7	55	55	1/4"	64	-	F.05	65	9	35x3	14	13	50	7	M6x16	22	133030C6251F
33.7	32	112	50,5	29.7	59,5	65	1/4"	64	-	F.04	54	9	30x3	11	10	42	6	M5x16	25	133030C63110
33.7	32	112	50,5	29.7	59,5	65	1/4"	64	-	F.05	65	9	35x3	14	13	50	7	M6x16	25	133030C6311F
42.4	40	126	64	38.4	79,5	80	3/8"	64	-	F.05	65	12	35x4	14	13	50	7	M6x20	32	133030C63310
42.4	40	126	64	38.4	79,5	80	3/8"	64	-	F.07	90	12	55x4	17	15	70	9	M8x20	32	133030C6331F
48.3	40	126	64	44.3	79,5	80	3/8"	64	-	F.05	65	12	35x4	14	13	50	7	M6x20	32	133030C63710
48.3	40	126	64	44.3	79,5	80	3/8"	64	-	F.07	90	12	55x4	17	15	70	9	M8x20	32	133030C6371F
60.3	50	136	77.5	56.3	87	95	3/8"	40	-	F.05	65	12	35x4	14	13	50	7	M6x20	37	133030C64110
60.3	50	136	77.5	56.3	87	95	3/8"	40	-	F.07	90	12	55x4	17	15	70	9	M8x20	37	133030C6411F
76.1	65	154	91	72.1	94,5	113	1/2"	40	-	F.07	90	12	55x4	17	15	70	9	M8x20	60	133030C64710
76.1	65	154	91	72.1	94,5	113	1/2"	40	-	F.10	125	12	70x4	22	18	102	11	M10x25	60	133030C6471F
88.9	80	184	106	84.3	106	140	1/2"	40	-	F.07	90	12	55x4	17	15	70	9	M8x20	75	133030C65110
88.9	80	184	106	84.3	106	140	1/2"	40	-	F.10	125	12	70x4	22	18	102	11	M10x25	75	133030C6511F
114.3	100	190	130	109.7	120	167	1/2"	25	-	F.07	90	12	55x4	17	15	70	9	M8x20	85	133030C65310
114.3	100	190	130	109.7	120	167	1/2"	25	-	F.10	125	12	70x4	22	18	102	11	M10x25	85	133030C6531F



POS.	Denomination	PCS	MAT.
1	Body	1	AISI 316L
2	Ball	1	AISI 316L
3	Sleeves	2	AISI 316L
4	Stem	1	AISI 316L
5	Ball Seals	2	PTFE
6	Sleeve Seals	2	PTFE
7	Stem Seal	1	PTFE
8	Stem Seal	1	PTFE
9	Stem or-Seal	1	FKM
10	Register ring	1	AISI 304L (303)
11	Locknut	1	AISI 303

