

133030C FOR DIN PIPE – HEATING JACKET



TWO-way ball valve “Integral Seal” with HEATING JACKET
Drive: ISO 5211 – DIN 3337 flange for actuator
Connection: **CLAMP normative DIN 32676 TAB.2 REIHE A**
For TUBE according to normative DIN 11850
Flow: Full and reduced
Material: Aisi 316L (1.4404)
Measure: from DN25 to DN100
Seals: Virgin P.T.F.E.
Operating temperature: -20°C+160°C
Outer finish: Polished
Screws for mounting actuator included

On request:

Antistatic device ATEX:

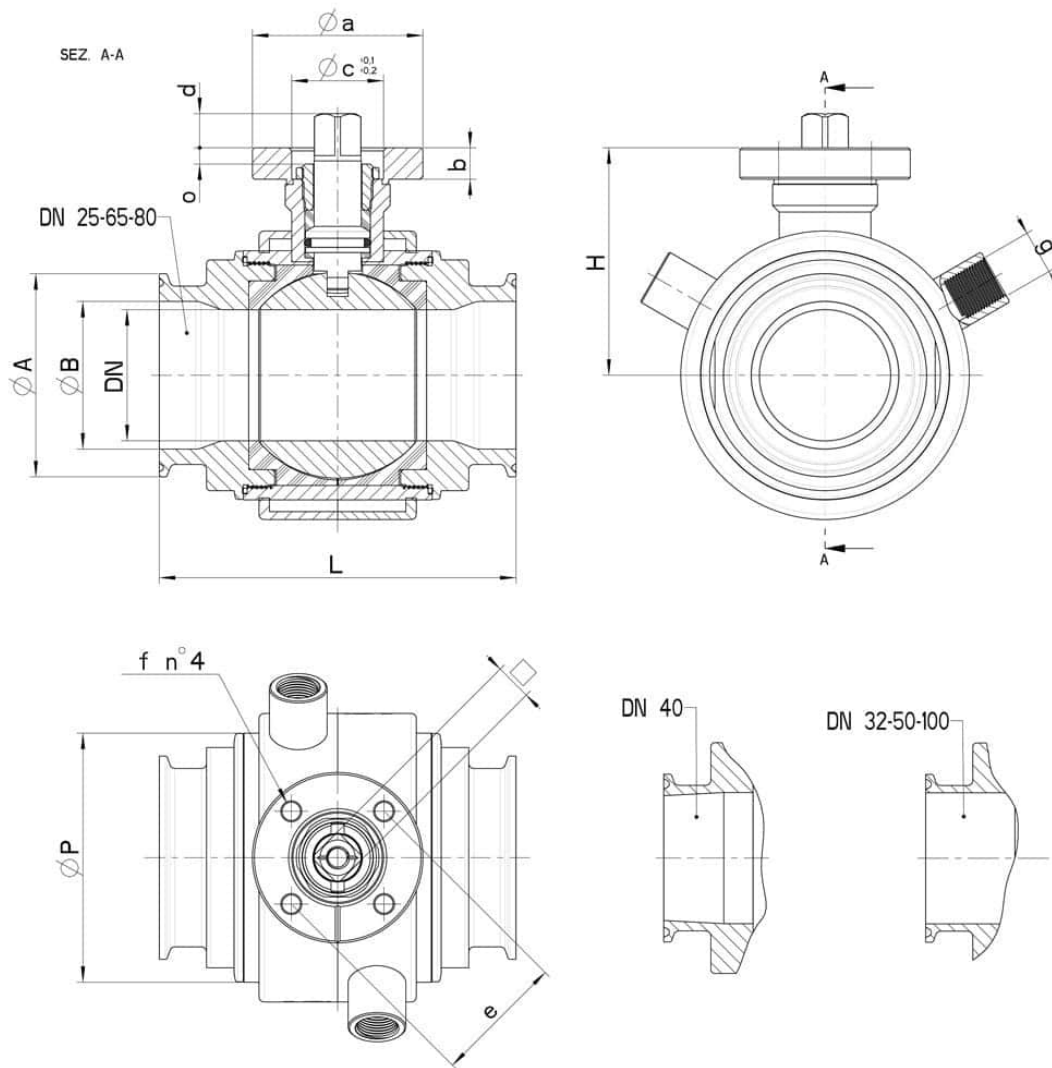
II 2G Ex h IIC T4 Gb

II 2D Ex h IIIC T135°C Db

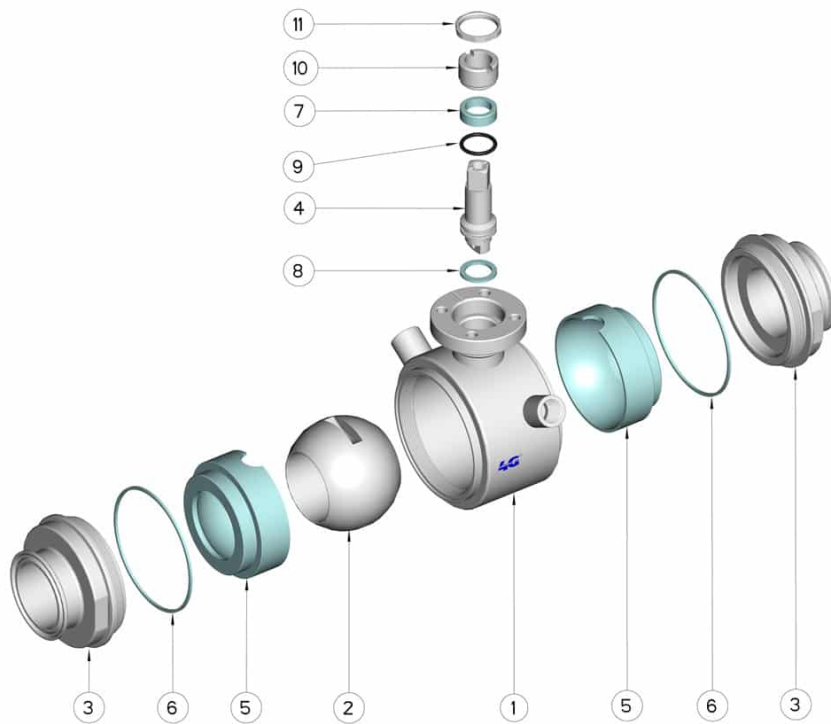
M.O.C.A. CE 1935/2004

• Seals made of:

PTFE with glass -20°C+170°C



DN	L	Ø A	Ø B	H	ØP	g	PN	Kg	ISO-DIN	Ø a	b	Ø c x o	□	d	e	f	n° 4 Bolts	Nm	CODE AISI 316L
25	106	50,5	26	55	55	1/4"	64	-	F.04	54	9	30x3	11	10	42	6	M5x16	22	133030C62810
25	106	50,5	26	55	55	1/4"	64	-	F.05	65	9	35x3	14	13	50	7	M6x16	22	133030C6281F
32	112	50,5	32	59,5	65	1/4"	64	-	F.04	54	9	30x3	11	10	42	6	M5x16	25	133030C63010
32	112	50,5	32	59,5	65	1/4"	64	-	F.05	65	9	35x3	14	13	50	7	M6x16	25	133030C6301F
40	126	50,5	38	79,5	80	3/8"	64	-	F.05	65	12	35x4	14	13	50	7	M6x20	32	133030C63510
40	126	50,5	38	79,5	80	3/8"	64	-	F.07	90	12	55x4	17	15	70	9	M8x20	32	133030C6351F
50	136	64	50	87	95	3/8"	40	-	F.05	65	12	35x4	14	13	50	7	M6x20	37	133030C64010
50	136	64	50	87	95	3/8"	40	-	F.07	90	12	55x4	17	15	70	9	M8x20	37	133030C6401F
65	154	91	66	94,5	113	1/2"	40	-	F.07	90	12	55x4	17	15	70	9	M8x20	60	133030C64610
65	154	91	66	94,5	113	1/2"	40	-	F.10	125	12	70x4	22	18	102	11	M10x25	60	133030C6461F
80	184	106	81	106	140	1/2"	40	-	F.07	90	12	55x4	17	15	70	9	M8x20	75	133030C64910
80	184	106	81	106	140	1/2"	40	-	F.10	125	12	70x4	22	18	102	11	M10x25	75	133030C6491F
100	190	119	100	120	167	1/2"	25	-	F.07	90	12	55x4	17	15	70	9	M8x20	85	133030C65610
100	190	119	100	120	167	1/2"	25	-	F.10	125	12	70x4	22	18	102	11	M10x25	85	133030C6561F



POS.	Denomination	PCS	MAT.
1	Body	1	AISI 316L
2	Ball	1	AISI 316L
3	Sleeves	2	AISI 316L
4	Stem	1	AISI 316L
5	Ball Seals	2	PTFE
6	Sleeve Seals	2	PTFE
7	Stem Seal	1	PTFE
8	Stem Seal	1	PTFE
9	Stem or-Seal	1	FKM
10	Register ring	1	AISI 304L (303)
11	Locknut	1	AISI 303

