

133030C FOR BS PIPE - HEATING JACKET



TWO-way ball valve "Integral Seal" with HEATING JACKET
Drive: ISO 5211 - DIN 3337 flange for actuator
Connection: **CLAMP normative DIN 32676 TAB.4 REIHE C**
For TUBE according to normative BS/OD (ASTM A270)
Flow: Full and reduced
Material: Aisi 316L (1.4404)
Measure: from 1" to 4"
Seals: Virgin P.T.F.E.
Operating temperature: -20°C+160°C
Outer finish: Polished
Screws for mounting actuator included

On request:

Antistatic device ATEX:

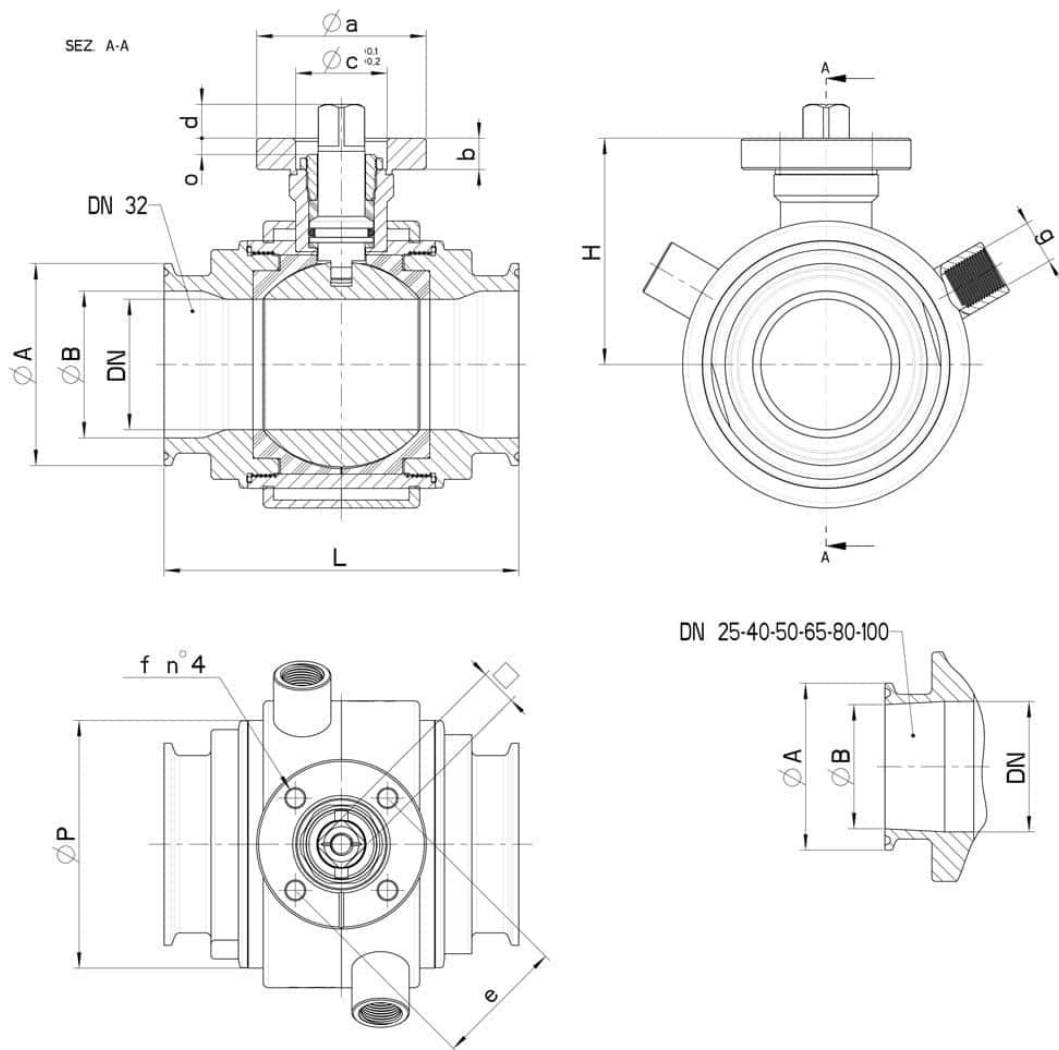
II 2G Ex h IIC T4 Gb

II 2D Ex h IIIC T135°C Db

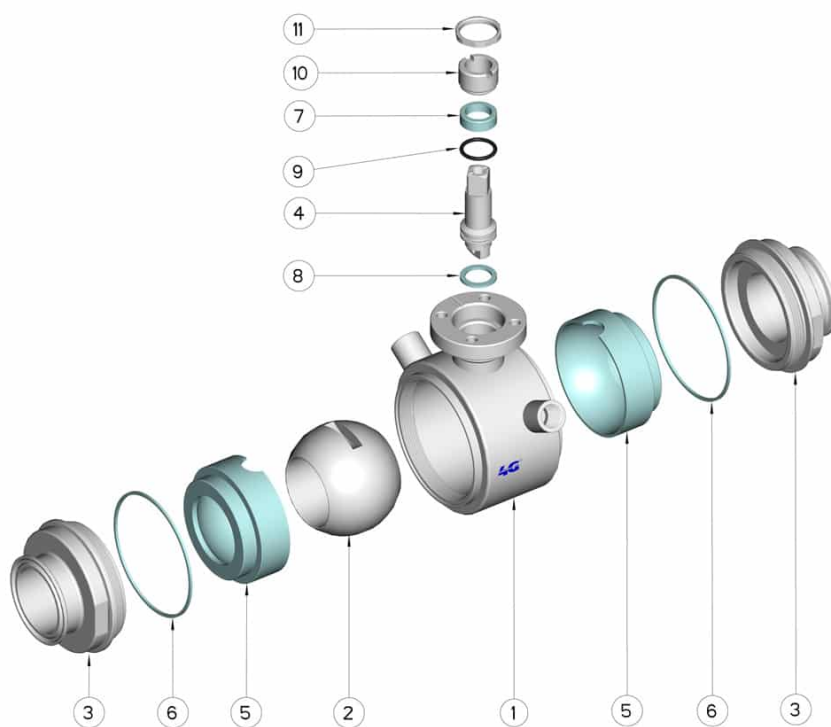
M.O.C.A. CE 1935/2004

• Seals made of:

PTFE with glass -20°C+170°C



CLAMP SERIE C DN/OD	DN	L	Ø A	Ø B	H	ØP	g	PN	Kg	ISO-DIN	Ø a	b	Ø c x o	□	d	e	f	n° 4 Bolts	Nm	CODE AISI 316L
1"	25	106	50,5	22,1	55	55	1/4"	64	-	F.04	54	9	30x3	11	10	42	6	M5x16	22	133030C62610
1"	25	106	50,5	22,1	55	55	1/4"	64	-	F.05	65	9	35x3	14	13	50	7	M6x16	22	133030C6261F
1*1/2	32	112	50,5	34,8	59,5	65	1/4"	64	-	F.04	54	9	30x3	11	10	42	6	M5x16	25	133030C63210
1*1/2	32	112	50,5	34,8	59,5	65	1/4"	64	-	F.05	65	9	35x3	14	13	50	7	M6x16	25	133030C6321F
1*1/2	40	126	50,5	34,8	79,5	80	3/8"	64	-	F.05	65	12	35x4	14	13	50	7	M6x20	32	133030C63410
1*1/2	40	126	50,5	34,8	79,5	80	3/8"	64	-	F.07	90	12	55x4	17	15	70	9	M8x20	32	133030C6341F
2"	50	136	64	47,5	87	95	3/8"	40	-	F.05	65	12	35x4	14	13	50	7	M6x20	37	133030C63810
2"	50	136	64	47,5	87	95	3/8"	40	-	F.07	90	12	55x4	17	15	70	9	M8x20	37	133030C6381F
2*1/2	65	154	77,5	60,2	94,5	113	1/2"	40	-	F.07	90	12	55x4	17	15	70	9	M8x20	60	133030C64410
2*1/2	65	154	77,5	60,2	94,5	113	1/2"	40	-	F.10	125	12	70x4	22	18	102	11	M10x25	60	133030C6441F
3"	80	184	91	72,9	106	140	1/2"	40	-	F.07	90	12	55x4	17	15	70	9	M8x20	75	133030C64810
3"	80	184	91	72,9	106	140	1/2"	40	-	F.10	125	12	70x4	22	18	102	11	M10x25	75	133030C6481F
4"	100	190	119	97,38	120	167	1/2"	25	-	F.07	90	12	55x4	17	15	70	9	M8x20	85	133030C65410
4"	100	190	119	97,38	120	167	1/2"	25	-	F.10	125	12	70x4	22	18	102	11	M10x25	85	133030C6541F



POS.	Denomination	PCS	MAT.
1	Body	1	AISI 316L
2	Ball	1	AISI 316L
3	Sleeves	2	AISI 316L
4	Stem	1	AISI 316L
5	Ball Seals	2	PTFE
6	Sleeve Seals	2	PTFE
7	Stem Seal	1	PTFE
8	Stem Seal	1	PTFE
9	Stem or-Seal	1	FKM
10	Register ring	1	AISI 304L (303)
11	Locknut	1	AISI 303

