

133030 FOR ISO PIPE



TWO-way ball valve "Integral Seal"

Drive: **ISO 5211 - DIN 3337 flange for actuator**

Connection: CLAMP normative DIN 32676 TAB.3 REIHE B

For TUBE according to normative ISO 1127

Flow: Full and reduced

Material: Aisi 316L (1.4404)

Measure: from DN10 to DN100

Seals: virgin P.T.F.E.

Operating temperature: -20°C+160°C

Outer finish: Polished

Screws for mounting actuator included

On request:

Antistatic device ATEX:

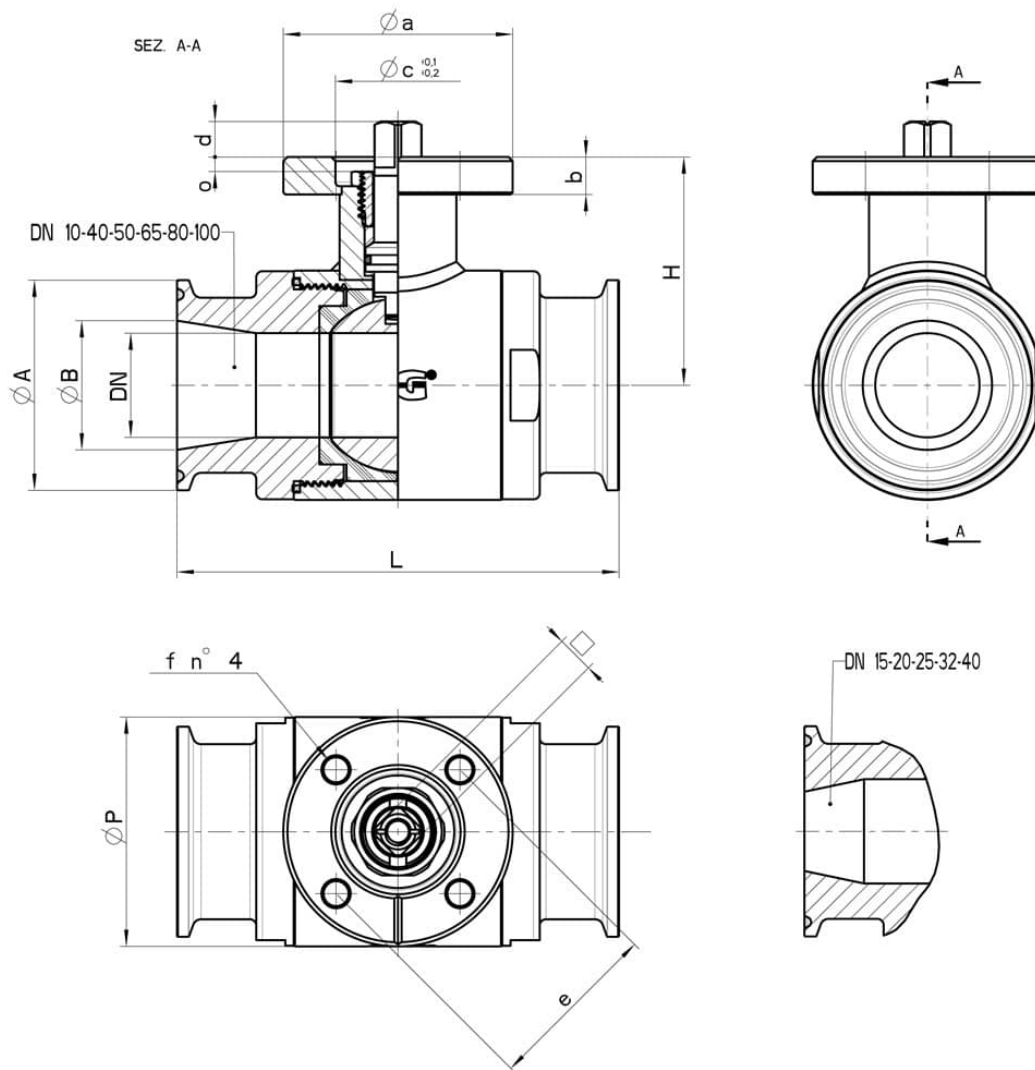
II 2G Ex h IIC T4 Gb

II 2D Ex h IIIC T135°C Db

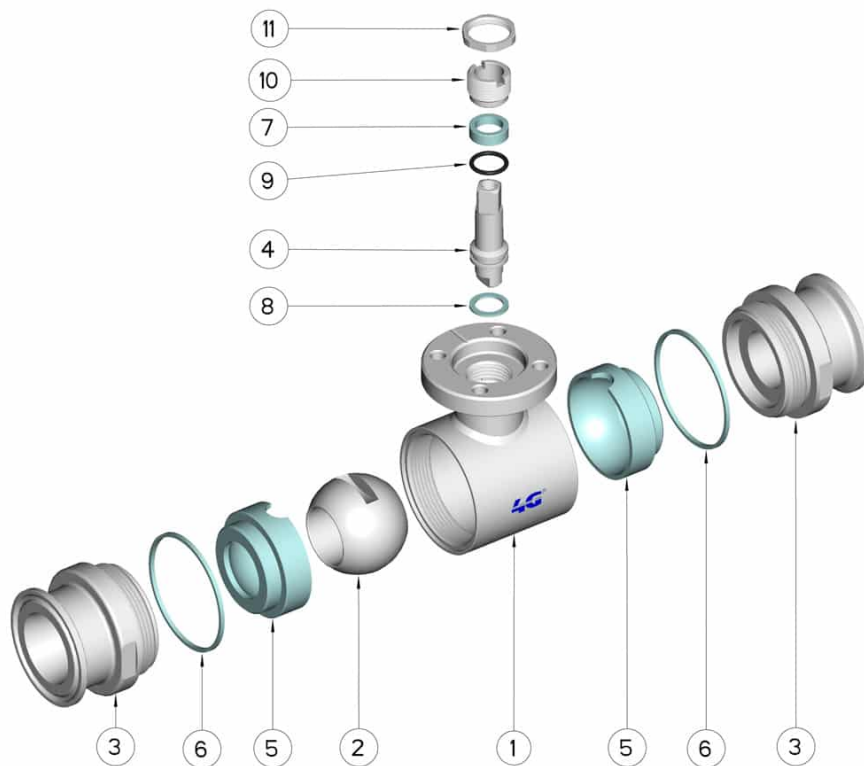
M.O.C.A. CE 1935/2004

• Seals made of:

PTFE with glass -20°C+170°C



CLAMP SERIE B DN/OD	DN	L	Ø A	Ø B	H	Ø P	PN	Kg	ISO-DIN	Ø a	b	Ø cxo	□	d	e	f	n° 4 Bolts	Nm	CODE AISI 316L
13.5	10	88	25	10.3	42	35	100	0.50	F.03	46	9	25x3	9	8	36	6	M5x16	6	133030 61110
13.5	10	88	25	10.3	42	35	100	0.55	F.04	54	9	30x3	11	10	42	6	M5x16	6	133030 6111F
17.2	15	92	25	14	45	42	100	0.65	F.03	46	9	25x3	9	8	36	6	M5x16	9	133030 61710
17.2	15	92	25	14	45	42	100	0.70	F.04	54	9	30x3	11	10	42	6	M5x16	9	133030 6171F
21.3	20	102	50.5	18.1	52	48	100	1.23	F.04	54	9	30x3	11	10	42	6	M5x16	13	133030 62310
21.3	20	102	50.5	18.1	52	48	100	1.28	F.05	65	9	35x3	14	13	50	7	M6x16	13	133030 6231F
26.9	25	106	50.5	23.7	55	55	64	1.42	F.04	54	9	30x3	11	10	42	6	M5x16	22	133030 62510
26.9	25	106	50.5	23.7	55	55	64	1.57	F.05	65	9	35x3	14	13	50	7	M6x16	22	133030 6251F
33.7	32	112	50.5	29.7	59.5	65	64	1.65	F.04	54	9	30x3	11	10	42	6	M5x16	25	133030 63110
33.7	32	112	50.5	29.7	59.5	65	64	1.72	F.05	65	9	35x3	14	13	50	7	M6x16	25	133030 6311F
42.4	40	126	64	38.4	79.5	80	64	2.75	F.05	65	12	35x4	14	13	50	7	M6x20	32	133030 63310
42.4	40	126	64	38.4	79.5	80	64	2.93	F.07	90	12	55x4	17	15	70	9	M8x20	32	133030 6331F
48.3	40	126	64	44.3	79.5	80	64	2.75	F.05	65	12	35x4	14	13	50	7	M6x20	32	133030 63710
48.3	40	126	64	44.3	79.5	80	64	2.93	F.07	90	12	55x4	17	15	70	9	M8x20	32	133030 6371F
60.3	50	136	77.5	56.3	87	95	40	3.43	F.05	65	12	35x4	14	13	50	7	M6x20	37	133030 64110
60.3	50	136	77.5	56.3	87	95	40	3.60	F.07	90	12	55x4	17	15	70	9	M8x20	37	133030 6411F
76.1	65	154	91	72.1	94.5	113	40	6.00	F.07	90	12	55x4	17	15	70	9	M8x20	60	133030 64710
76.1	65	154	91	72.1	94.5	113	40	6.50	F.10	125	12	70x4	22	18	102	11	M10x25	60	133030 6471F
88.9	80	184	106	84.3	106	140	40	10.58	F.07	90	12	55x4	17	15	70	9	M8x20	75	133030 65110
88.9	80	184	106	84.3	106	140	40	11.00	F.10	125	12	70x4	22	18	102	11	M10x25	75	133030 6511F
114.3	100	190	130	109.7	120	167	25	13.40	F.07	90	12	55x4	17	15	70	9	M8x20	85	133030 65310
114.3	100	190	130	109.7	120	167	25	13.90	F.10	125	12	70x4	22	18	102	11	M10x25	85	133030 6531F



POS.	Denomination	PCS	MAT.
1	Body	1	AISI 316L
2	Ball	1	AISI 316L
3	Sleeves	2	AISI 316L
4	Stem	1	AISI 316L
5	Ball Seals	2	PTFE
6	Sleeve Seals	2	PTFE
7	Stem Seal	1	PTFE
8	Stem Seal	1	PTFE
9	Stem or-Seal	1	FKM
10	Register ring	1	AISI 304L (303)
11	Locknut	1	AISI 303

