

## 133030 FOR DIN PIPE



TWO-way ball valve "Integral Seal"

Drive: ISO 5211 - DIN 3337 flange for actuator

Connection: **CLAMP normative DIN 32676 TAB.2 REIHE A**

**For TUBE according to normative DIN 11850**

Flow: Full and reduced

Material: Aisi 316L (1.4404)

Measure: from DN10 to DN100

Seals: Virgin P.T.F.E.

Operating temperature: -20°C+160°C

Outer finish: Polished

Screws for mounting actuator included

On request:

Antistatic device ATEX:

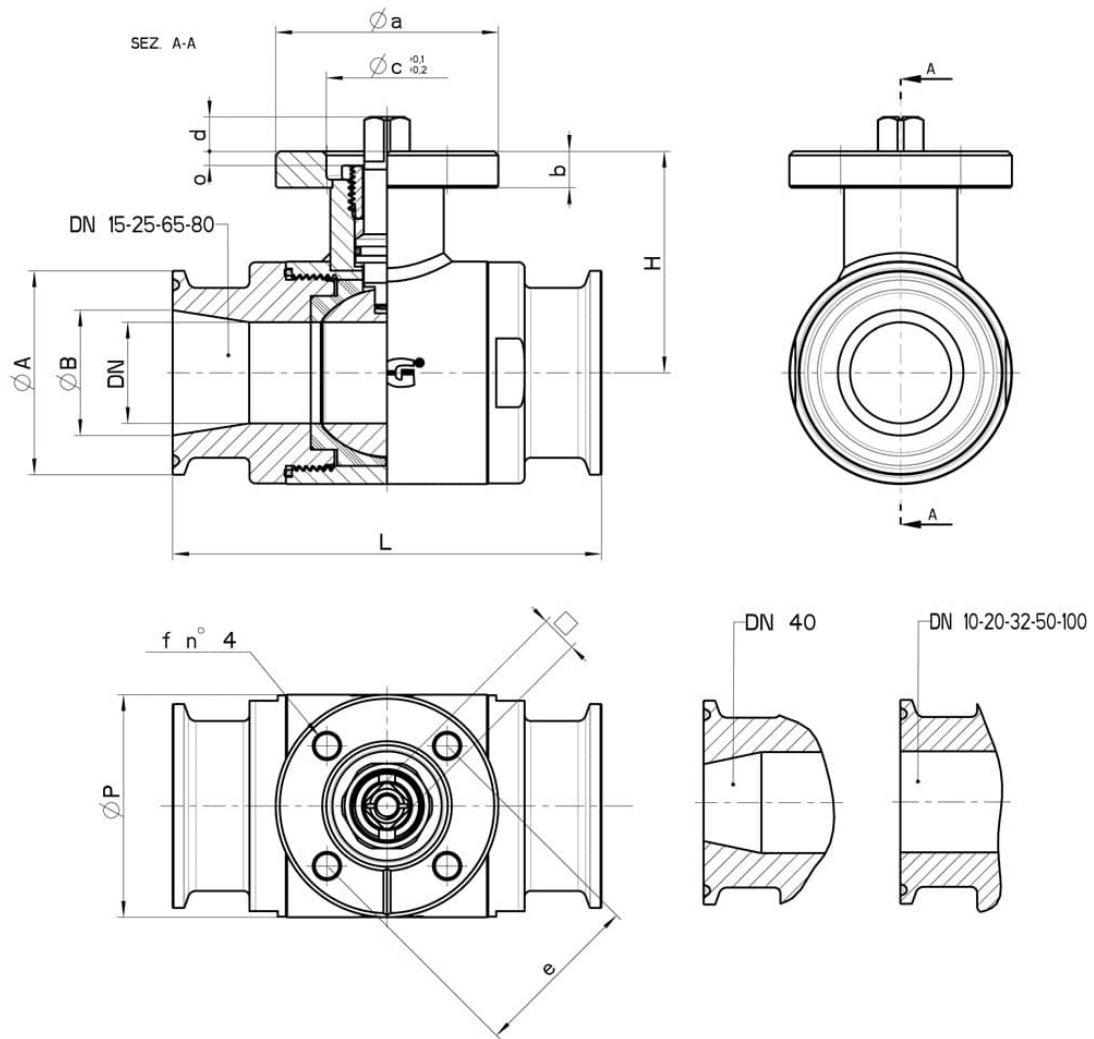
II 2G Ex h IIC T4 Gb

II 2D Ex h IIIC T135°C Db

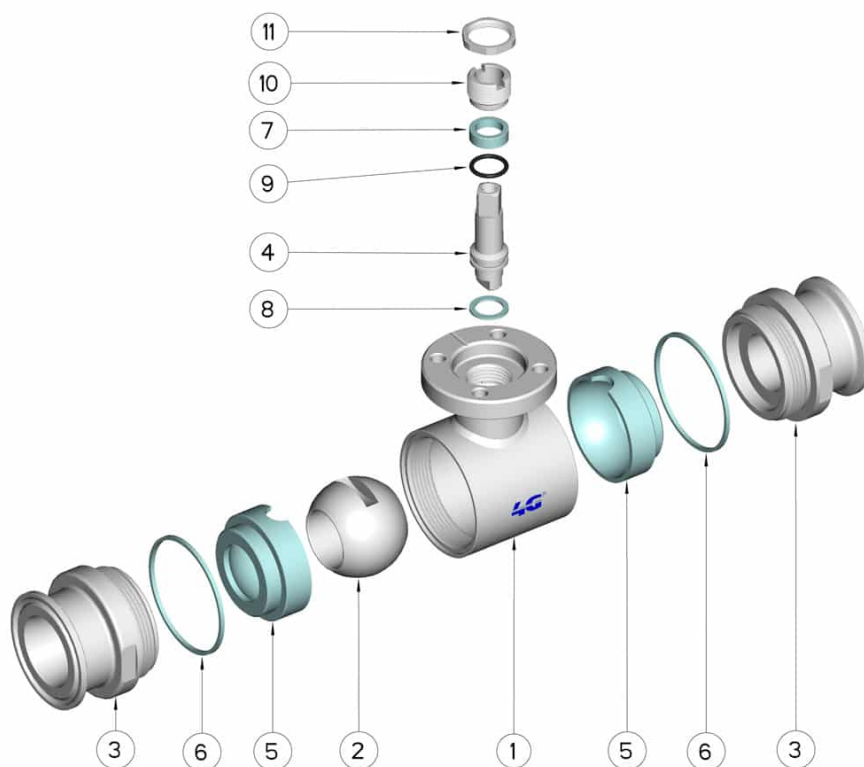
M.O.C.A. CE 1935/2004

• Seals made of:

PTFE with glass -20°C+170°C



DN	L	Ø A	Ø B	H	Ø P	PN	Kg	ISO-DIN	Ø a	b	Ø c x o	□	d	e	f	n° 4 Bolts	Nm	CODE AISI 316L
10	88	34	10	42	35	100	0.5	F.03	46	9	25x3	9	8	36	6	M5x16	6	133030 61410
10	88	34	10	42	35	100	0.55	F.04	54	9	30x3	11	10	42	6	M5x16	6	133030 6141F
15	92	34	16	45	42	100	0.65	F.03	46	9	25x3	9	8	36	6	M5x16	9	133030 61910
15	92	34	16	45	42	100	0.7	F.04	54	9	30x3	11	10	42	6	M5x16	9	133030 6191F
20	102	34	20	52	48	100	1.23	F.04	54	9	30x3	11	10	42	6	M5x16	13	133030 62010
20	102	34	20	52	48	100	1.28	F.05	65	9	35x3	14	13	50	7	M6x16	13	133030 6201F
25	106	50,5	26	55	55	64	1.42	F.04	54	9	30x3	11	10	42	6	M5x16	22	133030 62810
25	106	50,5	26	55	55	64	1.57	F.05	65	9	35x3	14	13	50	7	M6x16	22	133030 6281F
32	112	50,5	32	59,5	65	64	1.65	F.04	54	9	30x3	11	10	42	6	M5x16	25	133030 63010
32	112	50,5	32	59,5	65	64	1.72	F.05	65	9	35x3	14	13	50	7	M6x16	25	133030 6301F
40	126	50,5	38	79,5	80	64	2.75	F.05	65	12	35x4	14	13	50	7	M6x20	32	133030 63510
40	126	50,5	38	79,5	80	64	2.93	F.07	90	12	55x4	17	15	70	9	M8x20	32	133030 6351F
50	136	64	50	87	95	40	3.43	F.05	65	12	35x4	14	13	50	7	M6x20	37	133030 64010
50	136	64	50	87	95	40	3.60	F.07	90	12	55x4	17	15	70	9	M8x20	37	133030 6401F
65	154	91	66	94,5	113	40	6.00	F.07	90	12	55x4	17	15	70	9	M8x20	60	133030 64610
65	154	91	66	94,5	113	40	6.5	F.10	125	12	70x4	22	18	102	11	M10x25	60	133030 6461F
80	184	106	81	106	140	40	10.58	F.07	90	12	55x4	17	15	70	9	M8x20	75	133030 64910
80	184	106	81	106	140	40	11.00	F.10	125	12	70x4	22	18	102	11	M10x25	75	133030 6491F
100	190	119	100	120	167	25	13.4	F.07	90	12	55x4	17	15	70	9	M8x20	85	133030 65610
100	190	119	100	120	167	25	13.9	F.10	125	12	70x4	22	18	102	11	M10x25	85	133030 6561F



POS.	Denomination	PCS	MAT.
1	Body	1	AISI 316L
2	Ball	1	AISI 316L
3	Sleeves	2	AISI 316L
4	Stem	1	AISI 316L
5	Ball Seals	2	PTFE
6	Sleeve Seals	2	PTFE
7	Stem Seal	1	PTFE
8	Stem Seal	1	PTFE
9	Stem or-Seal	1	FKM
10	Register ring	1	AISI 304L (303)
11	Locknut	1	AISI 303

