

## 133030 FOR BS PIPE



TWO-way ball valve "Integral Seal"

Drive: ISO 5211 - DIN 3337 flange for actuator

Connection: **CLAMP normative DIN 32676 TAB.4 REIHE C**  
**For TUBE according to normative BS/OD (ASTM A270)**

Flow: Full and reduced

Material: Aisi 316L (1.4404)

Measure: from 1/2" to 4"

Seals: Virgin P.T.F.E.

Operating temperature: -20°C+160°C

Outer finish: Polished

Screws for mounting actuator included

On request:

Antistatic device ATEX:

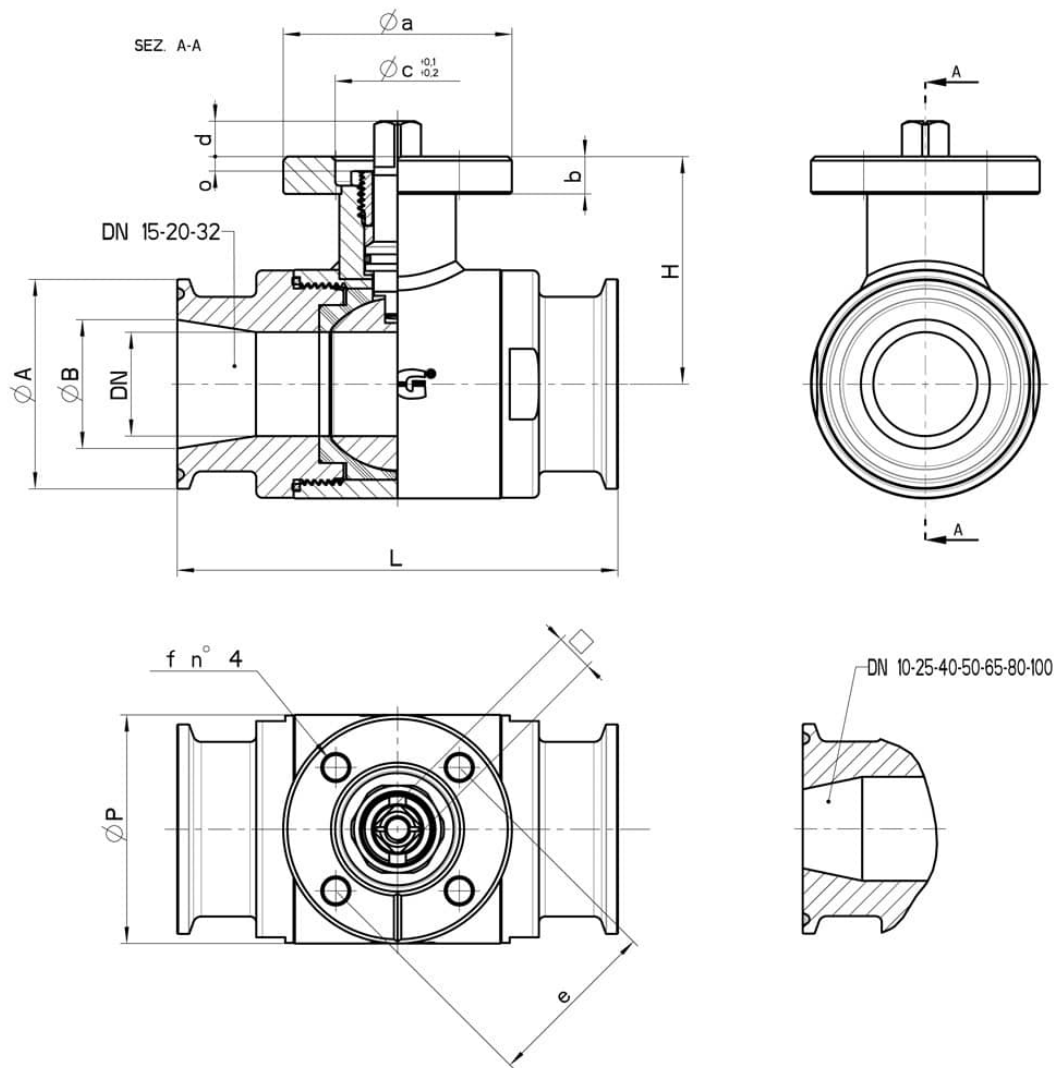
II 2G Ex h IIC T4 Gb

II 2D Ex h IIIC T135°C Db

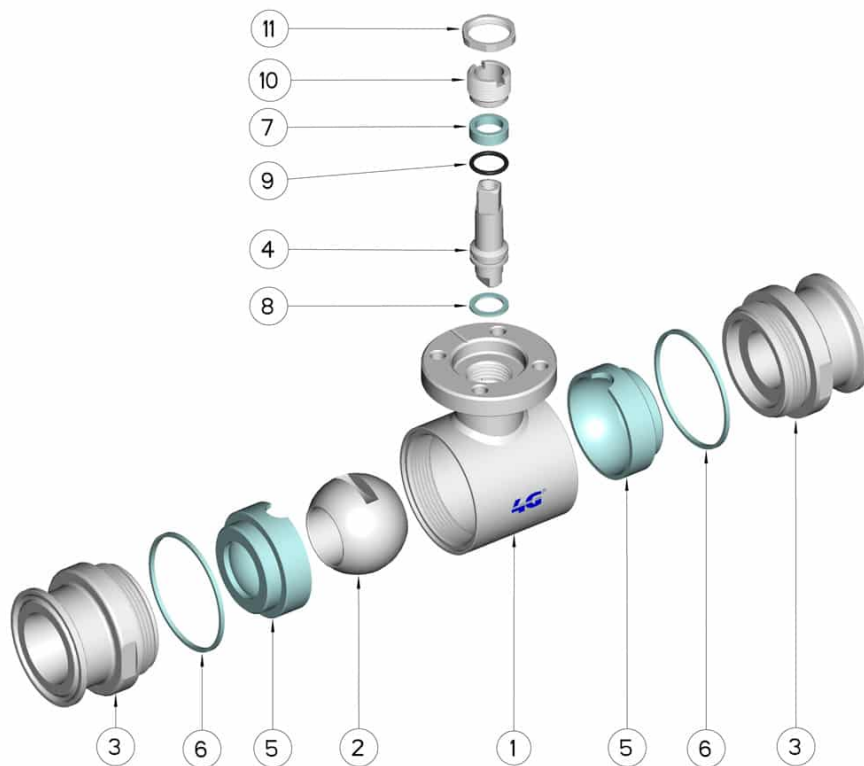
M.O.C.A. CE 1935/2004

• Seals made of:

PTFE with glass -20°C+170°C



CLAMP SERIE C DN/OD	DN	L	Ø A	Ø B	H	Ø P	PN	Kg	ISO-DIN	Ø a	b	Ø c x o	□	d	e	f	n° 4 Bolts	Nm	CODE AISI 316L
1/2"	10	88	25	9,4	42	35	100	0,50	F.03	46	9	25x3	9	8	36	6	M5x16	6	133030 61210
1/2"	10	88	25	9,4	42	35	100	0,55	F.04	54	9	30x3	11	10	42	6	M5x16	6	133030 6121F
3/4"	15	92	25	15,75	45	42	100	0,65	F.03	46	9	25x3	9	8	36	6	M5x16	9	133030 61810
3/4"	15	92	25	15,75	45	42	100	0,70	F.04	54	9	30x3	11	10	42	6	M5x16	9	133030 6181F
1"	20	102	50,5	22,1	52	48	100	1,23	F.04	54	9	30x3	11	10	42	6	M5x16	13	133030 62410
1"	20	102	50,5	22,1	52	48	100	1,28	F.05	65	9	35x3	14	13	50	7	M6x16	13	133030 6241F
1"	25	106	50,5	22,1	55	55	64	1,42	F.04	54	9	30x3	11	10	42	6	M5x16	22	133030 62610
1"	25	106	50,5	22,1	55	55	64	1,57	F.05	65	9	35x3	14	13	50	7	M6x16	22	133030 6261F
1 1/2"	32	112	50,5	34,8	59,5	65	64	1,65	F.04	54	9	30x3	11	10	42	6	M5x16	25	133030 63210
1 1/2"	32	112	50,5	34,8	59,5	65	64	1,72	F.05	65	9	35x3	14	13	50	7	M6x16	25	133030 6321F
1 1/2"	40	126	50,5	34,8	79,5	80	64	2,75	F.05	65	12	35x4	14	13	50	7	M6x20	32	133030 63410
1 1/2"	40	126	50,5	34,8	79,5	80	64	2,93	F.07	90	12	55x4	17	15	70	9	M8x20	32	133030 6341F
2"	50	136	64	47,5	87	95	40	3,43	F.05	65	12	35x4	14	13	50	7	M6x20	37	133030 63810
2"	50	136	64	47,5	87	95	40	3,60	F.07	90	12	55x4	17	15	70	9	M8x20	37	133030 6381F
2 1/2"	65	154	77,5	60,2	94,5	113	40	6,00	F.07	90	12	55x4	17	15	70	9	M8x20	60	133030 64410
2 1/2"	65	154	77,5	60,2	94,5	113	40	6,50	F.10	125	12	70x4	22	18	102	11	M10x25	60	133030 6441F
3"	80	184	91	72,9	106	140	40	10,58	F.07	90	12	55x4	17	15	70	9	M8x20	75	133030 64810
3"	80	184	91	72,9	106	140	40	11,00	F.10	125	12	70x4	22	18	102	11	M10x25	75	133030 6481F
4"	100	190	119	97,38	120	167	25	13,40	F.07	90	12	55x4	17	15	70	9	M8x20	85	133030 65410
4"	100	190	119	97,38	120	167	25	13,90	F.10	125	12	70x4	22	18	102	11	M10x25	85	133030 6541F



POS.	Denomination	PCS	MAT.
1	Body	1	AISI 316L
2	Ball	1	AISI 316L
3	Sleeves	2	AISI 316L
4	Stem	1	AISI 316L
5	Ball Seals	2	PTFE
6	Sleeve Seals	2	PTFE
7	Stem Seal	1	PTFE
8	Stem Seal	1	PTFE
9	Stem or-Seal	1	FKM
10	Register ring	1	AISI 304L (303)
11	Locknut	1	AISI 303

