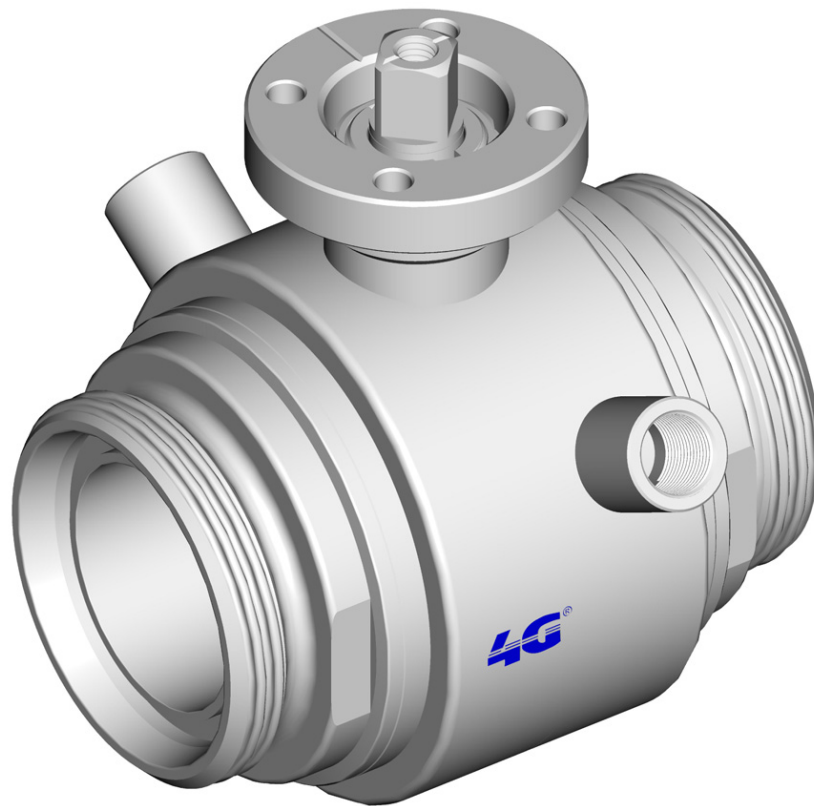


133025C INTEGRAL SEALS - F/F DIN 11851 - HEATING JACKET



TWO-way ball valve "Integral Seal" with HEATING JACKET

Drive: ISO 5211 - DIN 3337 flange for actuator

Connection: DIN 11851 female/female

Flow: Full

Material: Aisi 316L (1.4404)

Measure: from DN25 to DN100

Seals: virgin P.T.F.E.

Operating temperature: -20°C+160°C

Outer finish: Polished

Screws for mounting actuator included

On request:

Antistatic device ATEX:

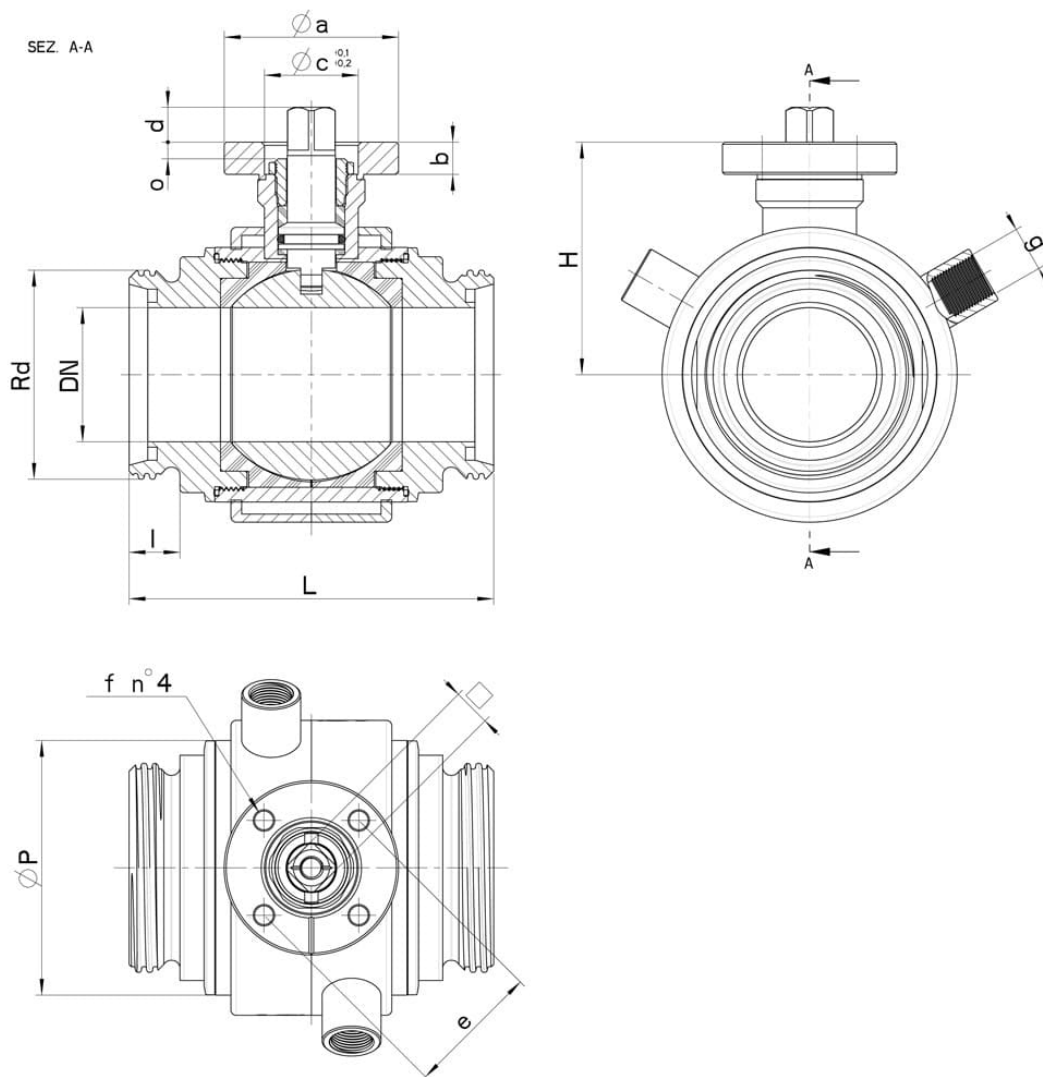
II 2G Ex h IIC T4 Gb

II 2D Ex h IIIC T135°C Db

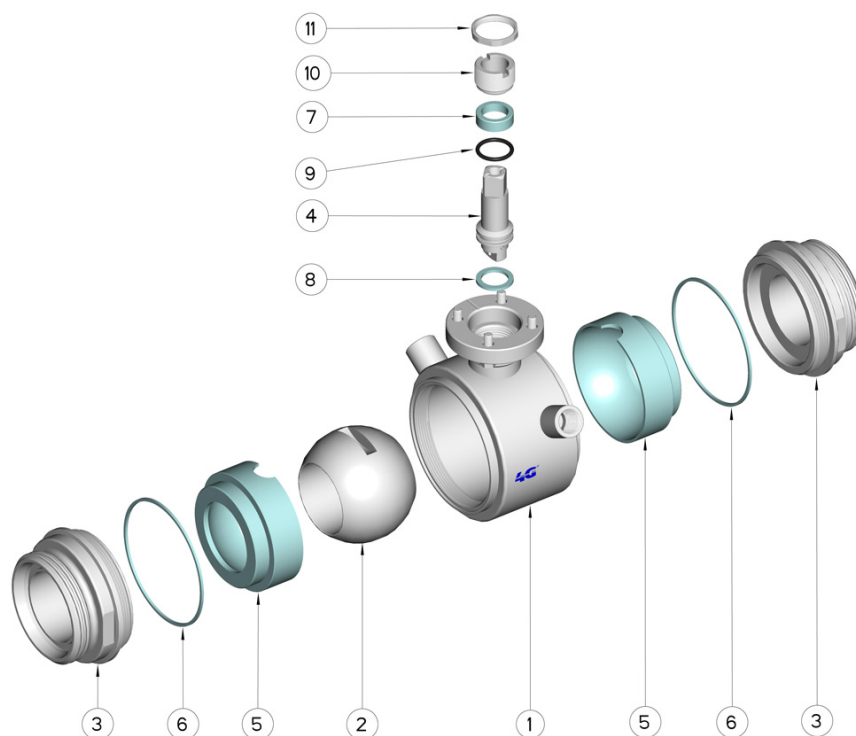
M.O.C.A. CE 1935/2004

• Seals made of:

PTFE with glass -20°C+170°C



DN	Rd	L	I	H	ØP	g	PN	Kg	ISO-DIN	Ø a	b	Ø c x o	□	d	e	f	n° 4 Bolts	Nm	CODE AISI 316L
25	52 x 1/6"	106	14	55	55	1/4"	64	-	F.04	54	9	30x3	11	10	42	6	M5x16	22	133025C62610
25	52 x 1/6"	106	14	55	55	1/4"	64	-	F.05	65	9	35x3	14	13	50	7	M6x16	22	133025C6261F
32	58 x 1/6"	112	14	59,5	65	1/4"	64	-	F.04	54	9	30x3	11	10	42	6	M5x16	25	133025C63010
32	58 x 1/6"	112	14	59,5	65	1/4"	64	-	F.05	65	9	35x3	14	13	50	7	M6x16	25	133025C6301F
40	65 x 1/6"	126	14	79,5	80	3/8"	64	-	F.05	65	12	35x4	14	13	50	7	M6x20	32	133025C63410
40	65 x 1/6"	126	14	79,5	80	3/8"	64	-	F.07	90	12	55x4	17	15	70	9	M8x20	32	133025C6341F
50	78 x 1/6"	136	14	87	95	3/8"	40	4,80	F.05	65	12	35x4	14	13	50	7	M6x20	37	133025C63810
50	78 x 1/6"	136	14	87	95	3/8"	40	5,10	F.07	90	12	55x4	17	15	70	9	M8x20	37	133025C6381F
65	95 x 1/6"	154	16	94,5	113	1/2"	40	-	F.07	90	12	55x4	17	15	70	9	M8x20	60	133025C64410
65	95 x 1/6"	154	16	94,5	113	1/2"	40	-	F.10	125	12	70x4	22	18	102	11	M10x25	60	133025C6441F
80	110 x 1/4"	184	20	106	140	1/2"	40	-	F.07	90	12	55x4	17	15	70	9	M8x20	75	133025C64810
80	110 x 1/4"	184	20	106	140	1/2"	40	-	F.10	125	12	70x4	22	18	102	11	M10x25	75	133025C6481F
100	130 x 1/4"	190	20	120	167	1/2"	25	-	F.07	90	12	55x4	17	15	70	9	M8x20	85	133025C65410
100	130 x 1/4"	190	20	120	167	1/2"	25	-	F.10	125	12	70x4	22	18	102	11	M10x25	85	133025C6541F
Reduced 100	130 x 1/4"	190	20	120	167	1/2"	25	-	F.07	90	12	55x4	17	15	70	9	M8x20	85	133025C65510
Reduced 100	130 x 1/4"	190	20	120	167	1/2"	25	-	F.10	125	12	70x4	22	18	102	11	M10x25	85	133025C6551F



POS.	Denomination	PCS	MAT.
1	Body	1	AISI 316L
2	Ball	1	AISI 316L
3	Sleeves	2	AISI 316L
4	Stem	1	AISI 316L
5	Ball Seals	2	PTFE
6	Sleeve Seals	2	PTFE
7	Stem Seal	1	PTFE
8	Stem Seal	1	PTFE
9	Stem or-Seal	1	FKM
10	Register ring	1	AISI 304L (303)
11	Locknut	1	AISI 303

