

## 133025 INTEGRAL SEALS - F/F DIN 11851



TWO-way ball valve “Integral Seal”

Drive: ISO 5211 - DIN 3337 flange for actuator

Connection: DIN 11851 female/female

Flow: Full

Material: Aisi 316L (1.4404)

Measure: from DN10 to DN100

Seals: virgin P.T.F.E.

Operating temperature: -20°C+160°C

Outer finish: Polished

Screws for mounting actuator included

On request:

Antistatic device ATEX:

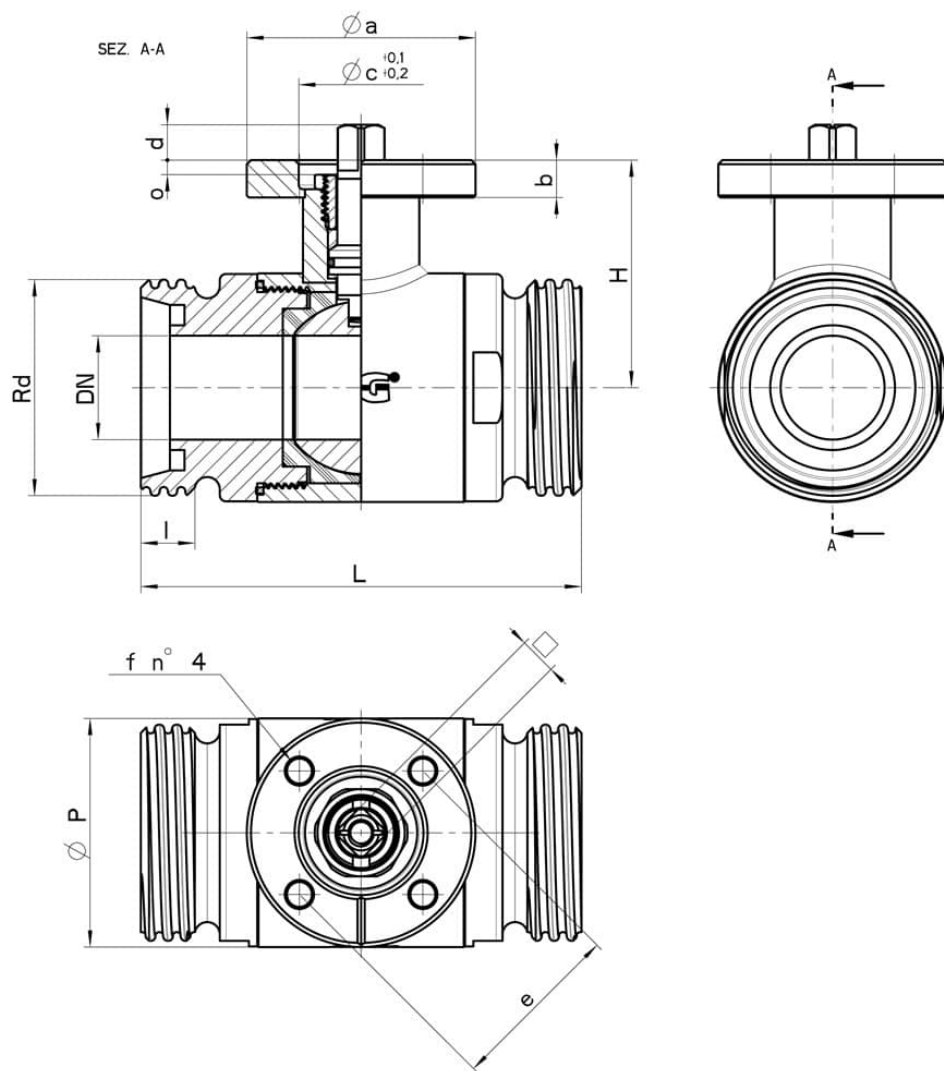
II 2G Ex h IIC T4 Gb

II 2D Ex h IIIC T135°C Db

M.O.C.A. CE 1935/2004

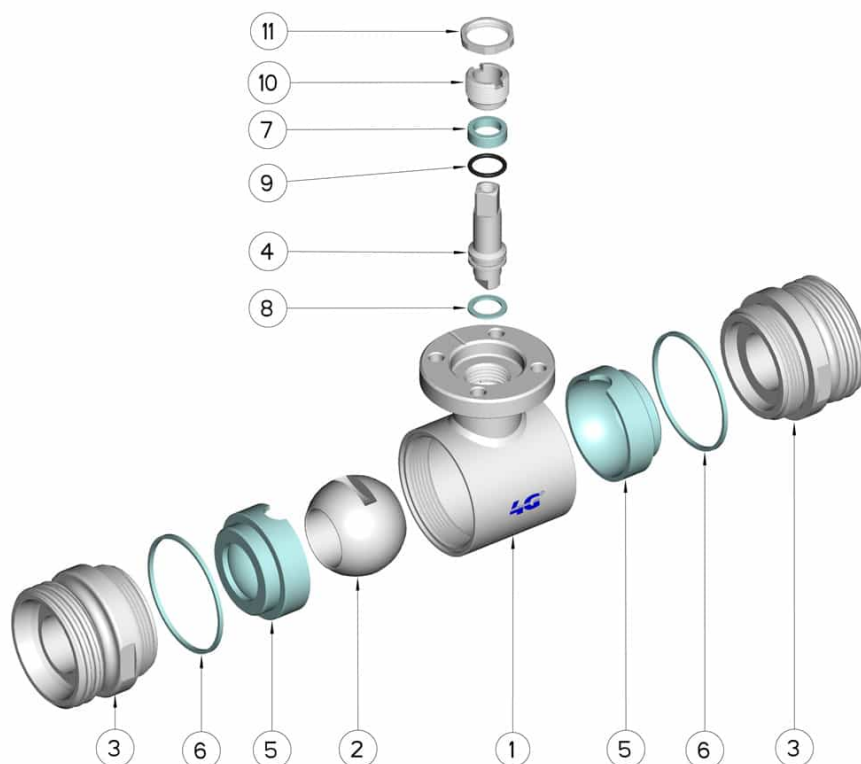
• Seals made of:

PTFE with glass -20°C+170°C



DN	Rd	L	I	H	Ø P	PN	Kg	ISO-DIN	Ø a	b	Ø c x o	□	d	e	f	n° 4 Bolts	Nm	CODE AISI 316L
10	28 x 1/8"	88	12	42	35	100	0,52	F.03	46	9	25x3	9	8	36	6	M5x16	6	133025 60810
10	28 x 1/8"	88	12	42	35	100	0,56	F.04	54	9	30x3	11	10	42	6	M5x16	6	133025 6081F
15	34 x 1/8"	92	12	45	42	100	0,68	F.03	46	9	25x3	9	8	36	6	M5x16	9	133025 61410
15	34 x 1/8"	92	12	45	42	100	0,69	F.04	54	9	30x3	11	10	42	6	M5x16	9	133025 6141F
20	44 x 1/6"	102	14	52	48	100	1,35	F.04	54	9	30x3	11	10	42	6	M5x16	13	133025 62010
20	44 x 1/6"	102	14	52	48	100	1,40	F.05	65	9	35x3	14	13	50	7	M6x16	13	133025 6201F
25	52 x 1/6"	106	14	55	55	64	1,39	F.04	54	9	30x3	11	10	42	6	M5x16	22	133025 62610
25	52 x 1/6"	106	14	55	55	64	1,44	F.05	65	9	35x3	14	13	50	7	M6x16	22	133025 6261F
32	58 x 1/6"	112	14	59,5	65	64	1,73	F.04	54	9	30x3	11	10	42	6	M5x16	25	133025 63010
32	58 x 1/6"	112	14	59,5	65	64	2,00	F.05	65	9	35x3	14	13	50	7	M6x16	25	133025 6301F
40	65 x 1/6"	126	14	79,5	80	64	2,90	F.05	65	12	35x4	14	13	50	7	M6x20	32	133025 63410
40	65 x 1/6"	126	14	79,5	80	64	3,02	F.07	90	12	55x4	17	15	70	9	M8x20	32	133025 6341F
50	78 x 1/6"	136	14	87	95	40	4,15	F.05	65	12	35x4	14	13	50	7	M6x20	37	133025 63810
50	78 x 1/6"	136	14	87	95	40	4,27	F.07	90	12	55x4	17	15	70	9	M8x20	37	133025 6381F
65	95 x 1/6"	154	16	94,5	113	40	6,30	F.07	90	12	55x4	17	15	70	9	M8x20	60	133025 64410
65	95 x 1/6"	154	16	94,5	113	40	6,80	F.10	125	12	70x4	22	18	102	11	M10x25	60	133025 6441F
80	110 x 1/4"	184	20	106	140	40	10,48	F.07	90	12	55x4	17	15	70	9	M8x20	75	133025 64810
80	110 x 1/4"	184	20	106	140	40	10,98	F.10	125	12	70x4	22	18	102	11	M10x25	75	133025 6481F
100	130 x 1/4"	190	20	120	167	25	16,20	F.07	90	12	55x4	17	15	70	9	M8x20	85	133025 65410
100	130 x 1/4"	190	20	120	167	25	16,70	F.10	125	12	70x4	22	18	102	11	M10x25	85	133025 6541F
Reduced 100	130 x 1/4"	190	20	120	168	25	-	F.07	90	12	55x4	17	15	70	9	M8x20	85	133025 65510
Reduced 100	130 x 1/4"	190	20	120	167	25	-	F.10	125	12	70x4	22	18	102	11	M10x25	85	133025 6551F





POS.	Denomination	PCS	MAT.
1	Body	1	AISI 316L
2	Ball	1	AISI 316L
3	Sleeves	2	AISI 316L
4	Stem	1	AISI 316L
5	Ball Seals	2	PTFE
6	Sleeve Seals	2	PTFE
7	Stem Seal	1	PTFE
8	Stem Seal	1	PTFE
9	Stem or-Seal	1	FKM
10	Register ring	1	AISI 304L (303)
11	Locknut	1	AISI 303

