

133009 INTEGRAL SEALS - ISO 228 F/M



TWO-way ball valve "Integral Seal"

Drive: ISO 5211 - DIN 3337 flange for actuator

Connection: ISO 228 female/male thread

Flow: Full

Material: Aisi 316L (1.4404)

Measure: From 1/4" to 4"

Seals: Virgin P.T.F.E.

Operating temperature: -20°C+160°C

Outer finish: Polished

Screws for mounting actuator included

On request:

Antistatic device ATEX:

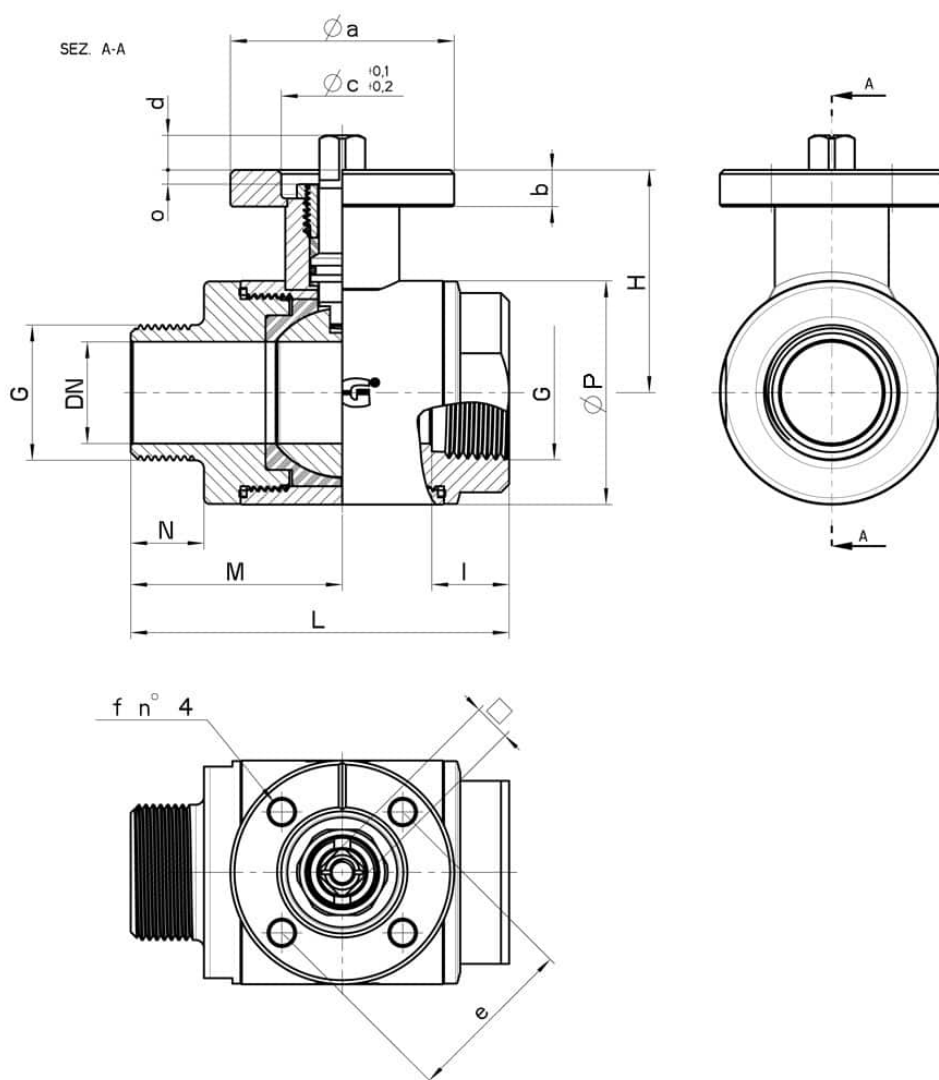
II 2G Ex h IIC T4 Gb

II 2D Ex h IIIC T135°C Db

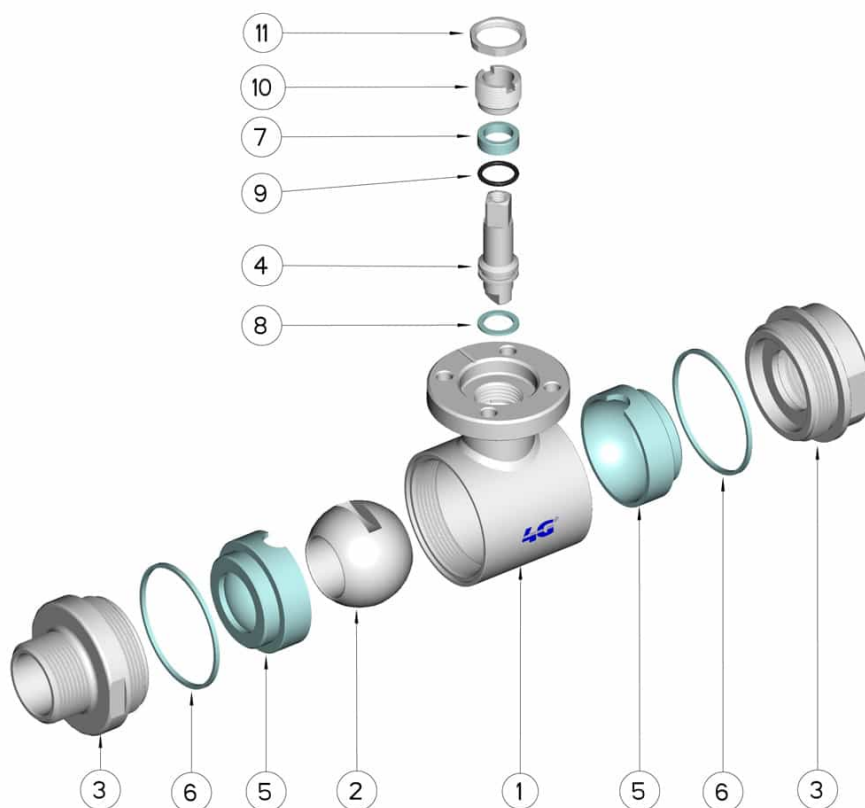
M.O.C.A. CE 1935/2004

• Seals made of:

PTFE with glass -20°C+170°C



| G | DN | L | I | N | M | H | Ø P | PN | Kg | ISO-DIN | Ø a | b | Ø c x o | □ | d | e | f | n° 4 Bolts | Nm | CODE AISI 316L |
|--------|-----|-----|----|----|-----|------|-----|-----|-------|---------|-----|----|---------|----|----|-----|----|------------|----|----------------|
| 1/4" | 9 | 64 | 13 | 11 | 38 | 42 | 35 | 100 | 0,44 | F.03 | 46 | 9 | 25x3 | 9 | 8 | 36 | 6 | M5x16 | 6 | 133009 60410 |
| 1/4" | 9 | 64 | 13 | 11 | 38 | 42 | 35 | 100 | 0,47 | F.04 | 54 | 9 | 30x3 | 11 | 10 | 42 | 6 | M5x16 | 6 | 133009 6041F |
| 3/8" | 10 | 66 | 13 | 13 | 40 | 42 | 35 | 100 | 0,43 | F.03 | 46 | 9 | 25x3 | 9 | 8 | 36 | 6 | M5x16 | 6 | 133009 60810 |
| 3/8" | 10 | 66 | 13 | 13 | 40 | 42 | 35 | 100 | 0,46 | F.04 | 54 | 9 | 30x3 | 11 | 10 | 42 | 6 | M5x16 | 6 | 133009 6081F |
| 1/2" | 15 | 76 | 15 | 15 | 45 | 45 | 42 | 100 | 0,59 | F.03 | 46 | 9 | 25x3 | 9 | 8 | 36 | 6 | M5x16 | 9 | 133009 61410 |
| 1/2" | 15 | 76 | 15 | 15 | 45 | 45 | 42 | 100 | 0,63 | F.04 | 54 | 9 | 30x3 | 11 | 10 | 42 | 6 | M5x16 | 9 | 133009 6141F |
| 3/4" | 20 | 85 | 17 | 16 | 49 | 52 | 48 | 100 | 0,91 | F.04 | 54 | 9 | 30x3 | 11 | 10 | 42 | 6 | M5x16 | 13 | 133009 62010 |
| 3/4" | 20 | 85 | 17 | 16 | 49 | 52 | 48 | 100 | 0,96 | F.05 | 65 | 9 | 35x3 | 14 | 13 | 50 | 7 | M6x16 | 13 | 133009 6201F |
| 1" | 25 | 93 | 19 | 18 | 52 | 55 | 55 | 64 | 1,18 | F.04 | 54 | 9 | 30x3 | 11 | 10 | 42 | 6 | M5x16 | 22 | 133009 62610 |
| 1" | 25 | 93 | 19 | 18 | 52 | 55 | 55 | 64 | 1,22 | F.05 | 65 | 9 | 35x3 | 14 | 13 | 50 | 7 | M6x16 | 22 | 133009 6261F |
| 1 1/4" | 32 | 103 | 19 | 18 | 57 | 59,5 | 65 | 64 | 1,50 | F.04 | 54 | 9 | 30x3 | 11 | 10 | 42 | 6 | M5x16 | 25 | 133009 63010 |
| 1 1/4" | 32 | 103 | 19 | 18 | 57 | 59,5 | 65 | 64 | 1,55 | F.05 | 65 | 9 | 35x3 | 14 | 13 | 50 | 7 | M6x16 | 25 | 133009 6301F |
| 1 1/2" | 40 | 116 | 20 | 20 | 64 | 79,5 | 80 | 64 | 2,71 | F.05 | 65 | 12 | 35x4 | 14 | 13 | 50 | 7 | M6x20 | 32 | 133009 63410 |
| 1 1/2" | 40 | 116 | 20 | 20 | 64 | 79,5 | 80 | 64 | 2,76 | F.07 | 90 | 12 | 55x4 | 17 | 15 | 70 | 9 | M8x20 | 32 | 133009 6341F |
| 2" | 50 | 131 | 20 | 24 | 73 | 87 | 95 | 40 | 4,00 | F.05 | 65 | 12 | 35x4 | 14 | 13 | 50 | 7 | M6x20 | 37 | 133009 63810 |
| 2" | 50 | 131 | 20 | 24 | 73 | 87 | 95 | 40 | 4,24 | F.07 | 90 | 12 | 55x4 | 17 | 15 | 70 | 9 | M8x20 | 37 | 133009 6381F |
| 2 1/2" | 65 | 145 | 20 | 25 | 83 | 94,5 | 113 | 40 | 5,95 | F.07 | 90 | 12 | 55x4 | 17 | 15 | 70 | 9 | M8x20 | 60 | 133009 64410 |
| 2 1/2" | 65 | 145 | 20 | 25 | 83 | 94,5 | 113 | 40 | 6,35 | F.10 | 125 | 12 | 70x4 | 22 | 18 | 102 | 11 | M10x25 | 60 | 133009 6441F |
| 3" | 80 | 170 | 24 | 30 | 95 | 106 | 140 | 40 | 10,75 | F.07 | 90 | 12 | 55x4 | 17 | 15 | 70 | 9 | M8x20 | 75 | 133009 64810 |
| 3" | 80 | 170 | 24 | 30 | 95 | 106 | 140 | 40 | 11,17 | F.10 | 125 | 12 | 70x4 | 22 | 18 | 102 | 11 | M10x25 | 75 | 133009 6481F |
| 4" | 100 | 192 | 26 | 36 | 104 | 120 | 167 | 25 | 14,90 | F.07 | 90 | 12 | 55x4 | 17 | 15 | 70 | 9 | M8x20 | 85 | 133009 65410 |
| 4" | 100 | 192 | 26 | 36 | 104 | 120 | 167 | 25 | 15,50 | F.10 | 125 | 12 | 70x4 | 22 | 18 | 102 | 11 | M10x25 | 85 | 133009 6541F |



| POS. | Denomination | PCS | MAT. |
|------|---------------|-----|-----------------|
| 1 | Body | 1 | AISI 316L |
| 2 | Ball | 1 | AISI 316L |
| 3 | Sleeves | 2 | AISI 316L |
| 4 | Stem | 1 | AISI 316L |
| 5 | Ball Seals | 2 | PTFE |
| 6 | Sleeve Seals | 2 | PTFE |
| 7 | Stem Seal | 1 | PTFE |
| 8 | Stem Seal | 1 | PTFE |
| 9 | Stem or-Seal | 1 | FKM |
| 10 | Register ring | 1 | AISI 304L (303) |
| 11 | Locknut | 1 | AISI 303 |

