

## 133004 INTEGRAL SEALS - F NPT



TWO-way ball valve "Integral Seal"

Drive: Inox lever

Connection: NPT female/female thread

Flow: Full

Material: Aisi 316L (1.4404)

Measure: From 1/4" to 4"

Seals: Virgin P.T.F.E.

Operating temperature: -20°C+160°C

Outer finish: Polished

On request:

Antistatic device ATEX:

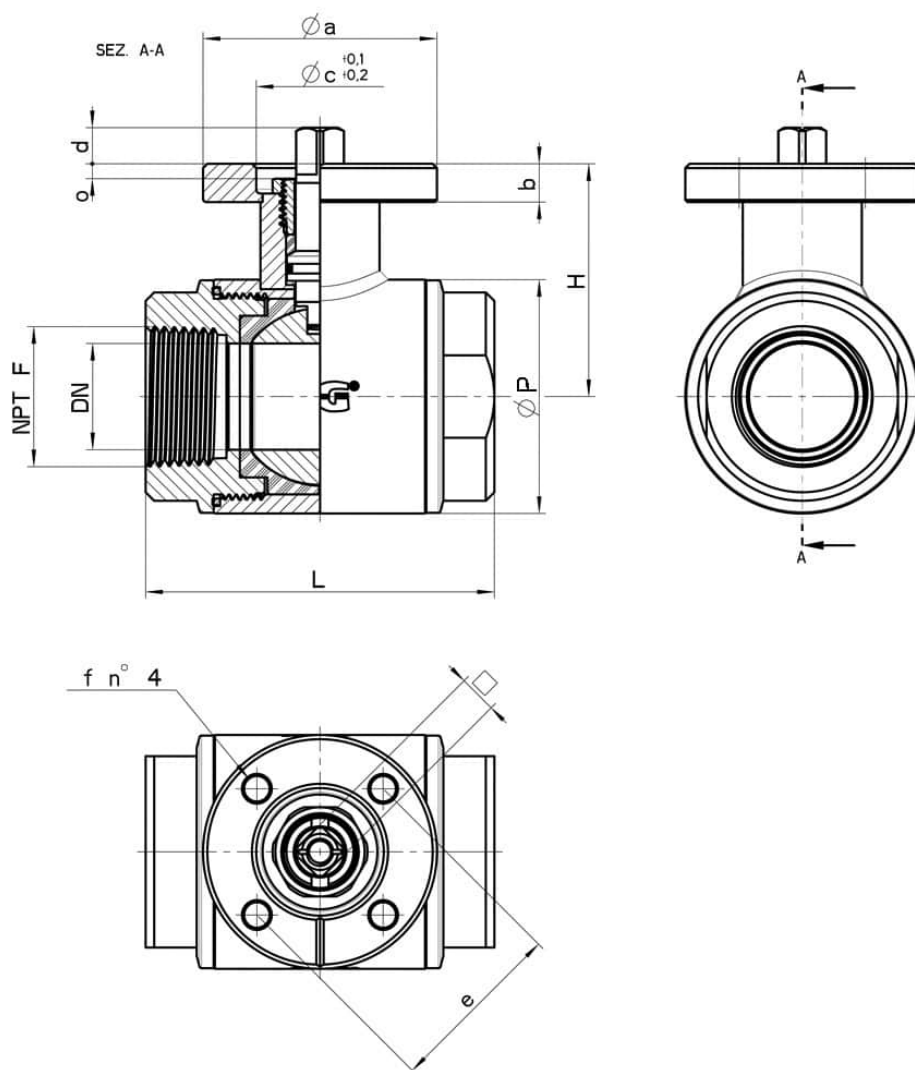
II 2G Ex h IIC T4 Gb

II 2D Ex h IIIC T135°C Db

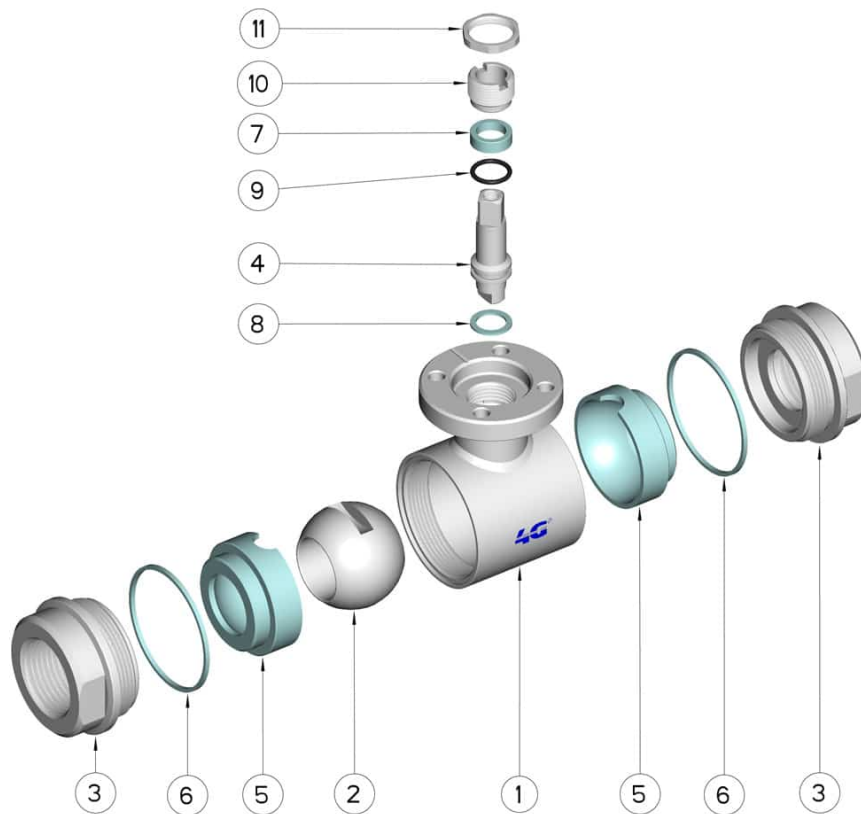
M.O.C.A. CE 1935/2004

• Seals made of:

PTFE with glass -20°C+170°C



G (NPT)	DN	L	I	H	Ø P	ISO-DIN	Ø a	b	Ø c x o	□	d	e	f	n° 4 Bolts	PN	Kg	Nm	CODE AISI 316L
1/4"	9	52	13	42	35	F.03	46	9	25x3	9	8	36	6	M5x16	100	0,42	6	133004 60410
1/4"	9	52	13	42	35	F.04	54	9	30x3	11	10	42	6	M5x16	100	0,45	6	133004 6041F
3/8"	10	52	13	42	35	F.03	46	9	25x3	9	8	36	6	M5x16	100	0,40	6	133004 60810
3/8"	10	52	13	42	35	F.04	54	9	30x3	11	10	42	6	M5x16	100	0,44	6	133004 6081F
1/2"	15	62	16	45	42	F.03	46	9	25x3	9	8	36	6	M5x16	100	0,56	9	133004 61410
1/2"	15	62	16	45	42	F.04	54	9	30x3	11	10	42	6	M5x16	100	0,60	9	133004 6141F
3/4"	20	72	18	52	48	F.04	54	9	30x3	11	10	42	6	M5x16	100	0,87	13	133004 62010
3/4"	20	72	18	52	48	F.05	65	9	35x3	14	13	50	7	M6x16	100	0,92	13	133004 6201F
1"	25	82	19	55	55	F.04	54	9	30x3	11	10	42	6	M5x16	64	1,15	22	133004 62610
1"	25	82	19	55	55	F.05	65	9	35x3	14	13	50	7	M6x16	64	1,17	22	133004 6261F
1 1/4"	32	92	20	59,5	65	F.04	54	9	30x3	11	10	42	6	M5x16	64	1,47	25	133004 63010
1 1/4"	32	92	20	59,5	65	F.05	65	9	35x3	14	13	50	7	M6x16	64	1,52	25	133004 6301F
1 1/2"	40	104	20	79,5	80	F.05	65	12	35x4	14	13	50	7	M6x20	64	2,66	32	133004 63410
1 1/2"	40	104	20	79,5	80	F.07	90	12	55x4	17	15	70	9	M8x20	64	2,71	32	133004 6341F
2"	50	116	20	87	95	F.05	65	12	35x4	14	13	50	7	M6x20	40	3,86	37	133004 63810
2"	50	116	20	87	95	F.07	90	12	55x4	17	15	70	9	M8x20	40	4,10	37	133004 6381F
2 1/2"	65	128	26	94,5	113	F.07	90	12	55x4	17	15	70	9	M8x20	40	5,85	60	133004 64410
2 1/2"	65	128	26	94,5	113	F.10	125	12	70x4	22	18	102	11	M10x25	40	6,25	60	133004 6441F
3"	80	150	28	108,5	140	F.07	90	12	55x4	17	15	70	9	M8x20	40	10,69	75	133004 64810
3"	80	150	28	108,5	140	F.10	125	12	70x4	22	18	102	11	M10x25	40	11,10	75	133004 6481F
4"	100	178	30	120	167	F.07	90	12	55x4	17	15	70	9	M8x20	25	15,60	85	133004 65410
4"	100	178	30	120	167	F.10	125	12	70x4	22	18	102	11	M10x25	25	16,18	85	133004 6541F



POS.	Denomination	PCS	MAT.
1	Body	1	AISI 316L
2	Ball	1	AISI 316L
3	Sleeves	2	AISI 316L
4	Stem	1	AISI 316L
5	Ball Seals	2	PTFE
6	Sleeve Seals	2	PTFE
7	Stem Seal	1	PTFE
8	Stem Seal	1	PTFE
9	Stem or-Seal	1	FKM
10	Register ring	1	AISI 304L (303)
11	Locknut	1	AISI 303

