

133001 INTEGRAL SEALS - ISO 228 F



TWO-way ball valve "Integral Seal"

Drive: ISO 5211 - DIN 3337 flange for actuator

Connection: ISO 228 female/female thread

Flow: Full

Material: Aisi 316L (1.4404)

Measure: From 1/4" to 4"

Seals: virgin P.T.F.E.

Operating temperature: -20°C +160°C

Outer finish: Polished

Screws for mounting actuator included

On request:

Antistatic device ATEX:

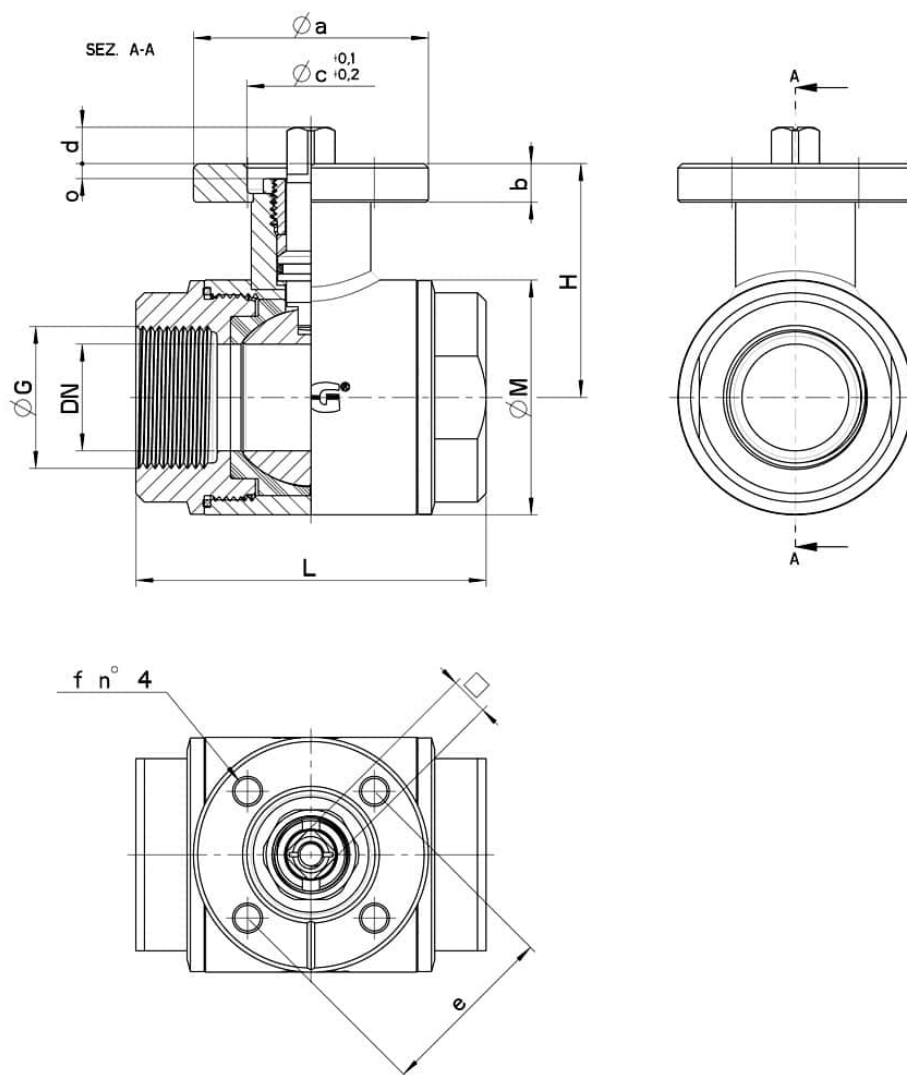
II 2G Ex h IIC T4 Gb

II 2D Ex h IIIC T135°C Db

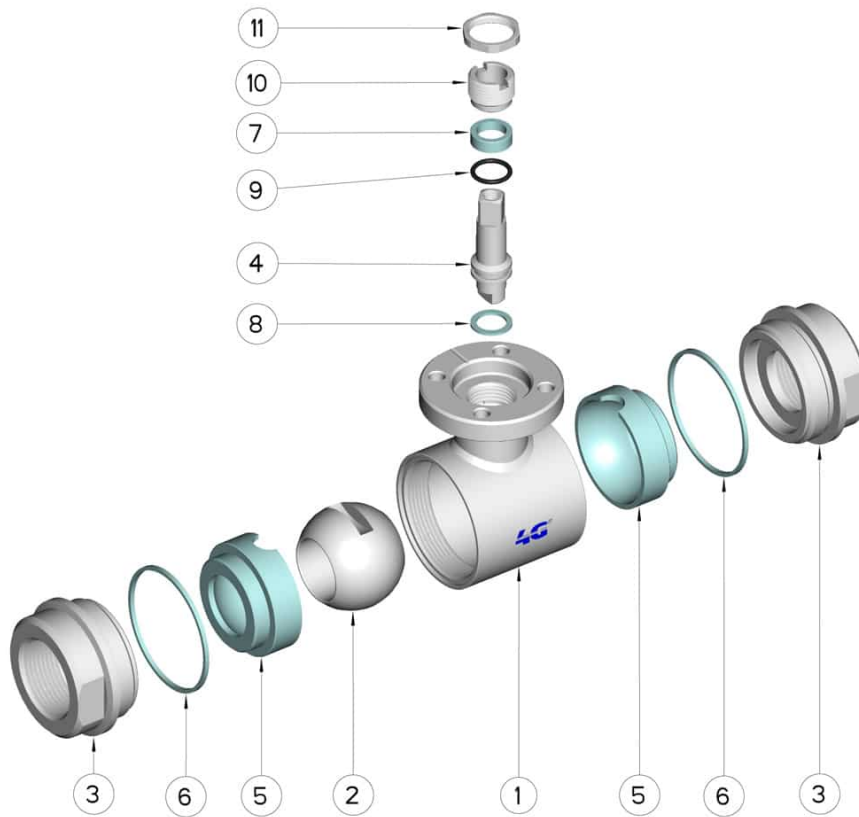
M.O.C.A. CE 1935/2004

• Seals made of:

PTFE with glass -20°C+170°C



G	DN	L	I	H	Ø M	ISO-DIN	Ø a	b	Ø c x o	□	d	e	f	n° 4 Bolts	PN	Kg	Nm	CODE AISI 316L
1/4"	9	52	13	42	35	F.03	46	9	25x3	9	8	36	6	M5x16	100	0,42	6	133001 60410
1/4"	9	52	13	42	35	F.04	54	9	30x3	11	10	42	6	M5x16	100	0,45	6	133001 6041F
3/8"	10	52	13	42	35	F.03	46	9	25x3	9	8	36	6	M5x16	100	0,40	6	133001 60810
3/8"	10	52	13	42	35	F.04	54	9	30x3	11	10	42	6	M5x16	100	0,44	6	133001 6081F
1/2"	15	62	15	45	42	F.03	46	9	25x3	9	8	36	6	M5x16	100	0,56	9	133001 61410
1/2"	15	62	15	45	42	F.04	54	9	30x3	11	10	42	6	M5x16	100	0,60	9	133001 6141F
3/4"	20	72	17	52	48	F.04	54	9	30x3	11	10	42	6	M5x16	100	0,87	13	133001 62010
3/4"	20	72	17	52	48	F.05	65	9	35x3	14	13	50	7	M6x16	100	0,92	13	133001 6201F
1"	25	82	19	55	55	F.04	54	9	30x3	11	10	42	6	M5x16	64	1,15	22	133001 62610
1"	25	82	19	55	55	F.05	65	9	35x3	14	13	50	7	M6x16	64	1,17	22	133001 6261F
1 1/4"	32	92	19	59,5	65	F.04	54	9	30x3	11	10	42	6	M5x16	64	1,47	25	133001 63010
1 1/4"	32	92	19	59,5	65	F.05	65	9	35x3	14	13	50	7	M6x16	64	1,52	25	133001 6301F
1 1/2"	40	104	20	79,5	80	F.05	65	12	35x4	14	13	50	7	M6x20	64	2,66	32	133001 63410
1 1/2"	40	104	20	79,5	80	F.07	90	12	55x4	17	15	70	9	M8x20	64	2,71	32	133001 6341F
2"	50	116	20	87	95	F.05	65	12	35x4	14	13	50	7	M6x20	40	3,86	37	133001 63810
2"	50	116	20	87	95	F.07	90	12	55x4	17	15	70	9	M8x20	40	4,10	37	133001 6381F
2 1/2"	65	128	20	94,5	113	F.07	90	12	55x4	17	15	70	9	M8x20	40	5,85	60	133001 64410
2 1/2"	65	128	20	94,5	113	F.10	125	12	70x4	22	18	102	11	M10x25	40	6,25	60	133001 6441F
3"	80	150	24	108,5	140	F.07	90	12	55x4	17	15	70	9	M8x20	40	10,69	75	133001 64810
3"	80	150	24	108,5	140	F.10	125	12	70x4	22	18	102	11	M10x25	40	11,10	75	133001 6481F
4"	100	178	26	120	167	F.07	90	12	55x4	17	15	70	9	M8x20	25	15,60	85	133001 65410
4"	100	178	26	120	167	F.10	125	12	70x4	22	18	102	11	M10x25	25	16,18	85	133001 6541F



POS.	Denomination	PCS	MAT.
1	Body	1	AISI 316L
2	Ball	1	AISI 316L
3	Sleeves	2	AISI 316L
4	Stem	1	AISI 316L
5	Ball Seals	2	PTFE
6	Sleeve Seals	2	PTFE
7	Stem Seal	1	PTFE
8	Stem Seal	1	PTFE
9	Stem or-Seal	1	FKM
10	Register ring	1	AISI 304L (303)
11	Locknut	1	AISI 303

