

130169 ASEPTIK NORMATIVE DIN 11864-3 REIHE B_BKS FORM A MALE



TWO-way ball valve “Integral Seal”

Drive: Inox lever

Connection: **ASEPTIK normative DIN 11864-3 REIHE B, BKS Form A.
For TUBE according to normative DIN 11866-B (ISO 1127)**

Flow: Full and reduced

Material: Aisi 316L (1.4404)

Measure: from DN10 to DN80

Seals: Virgin P.T.F.E.

Operating temperature: -20°C+160°C

Outer finish: Polished

On request:

Antistatic device ATEX:

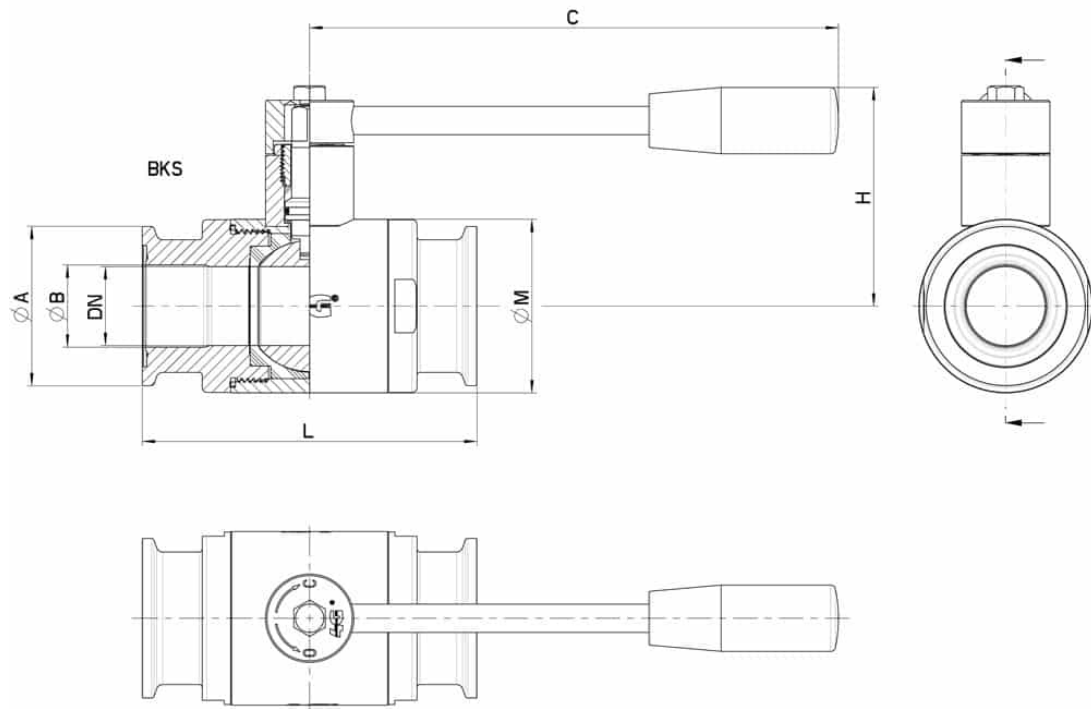
II 2G Ex h IIC T4 Gb

II 2D Ex h IIIC T135°C Db

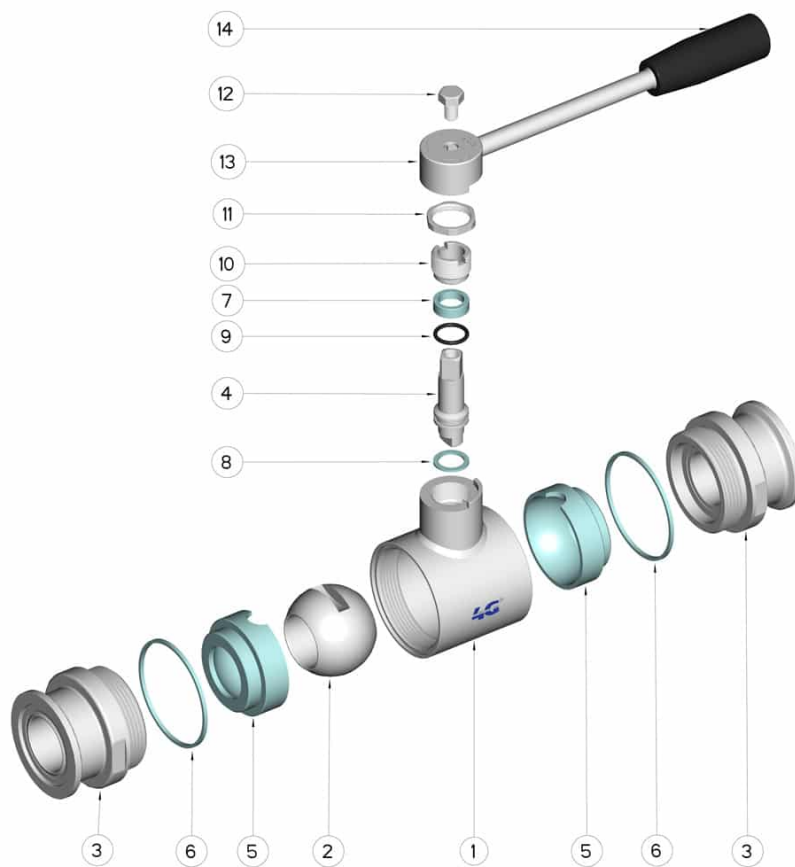
M.O.C.A. CE 1935/2004

• Seals made of:

PTFE with glass -20°C+170°C



OD	DN	BKS - Form A	L	Ø A	Ø B	C	H	Ø M	PN	Kg	CODE AISI 316L
13,5	10	Ø 34	88	34	10,3	110	55	35	100	-	130169 61110
17,2	15	Ø 34	92	34	14	110	60	42	100	-	130169 61710
21,3	20	Ø 34	102	34	18,1	160	65	48	100	-	130169 62310
26,9	25	Ø 50,4	106	50,5	23,7	160	70	55	64	-	130169 62510
33,7	25	Ø 50,4	106	50,5	29,7	160	70	55	64	-	130169 62710
33,7	32	Ø 50,4	112	50,5	29,7	160	75	65	64	-	130169 63110
42,4	40	Ø 64	126	64	38,4	190	85	80	64	-	130169 63310
48,3	40	Ø 64	126	64	44,3	190	85	80	64	-	130169 63710
60,3	50	Ø 91	136	91	56,3	190	95	95	40	-	130169 64110
76,1	65	Ø 106	154	106	72,1	220	115	113	40	-	130169 64710
88,9	80	Ø 119	184	119	84,3	285	135	140	40	-	130169 65110



POS.	Denomination	PCS	MAT.
1	Body	1	AISI 316L
2	Ball	1	AISI 316L
3	Sleeves	2	AISI 316L
4	Stem	1	AISI 316L
5	Ball Seals	2	PTFE
6	Sleeve Seals	2	PTFE
7	Stem Seal	1	PTFE
8	Stem Seal	1	PTFE
9	Stem or-Seal	1	FKM
10	Register ring	1	AISI 304L (303)
11	Locknut	1	AISI 304L
12	Vite	1	AISI 304L
13	Lever	1	AISI 304L
14	Handle	1	DUROPLAST (PF)

