

130167 ASEPTIK NORMATIVE DIN 11864-3 REIHE A_NKS FORM A FEMALE



TWO-way ball valve "Integral Seal"

Drive: Inox lever

Connection: **ASEPTIK normative DIN 11864-3 REIHE A, NKS Form A.
For TUBE according to normative DIN 11866-A (DIN 11850 REIHE 2)**

Flow: Full and reduced

Material: Aisi 316L (1.4404)

Measure: from DN10 to DN100

Seals: Virgin P.T.F.E.

Operating temperature: -20°C+160°C

Outer finish: Polished

On request:

Antistatic device ATEX:

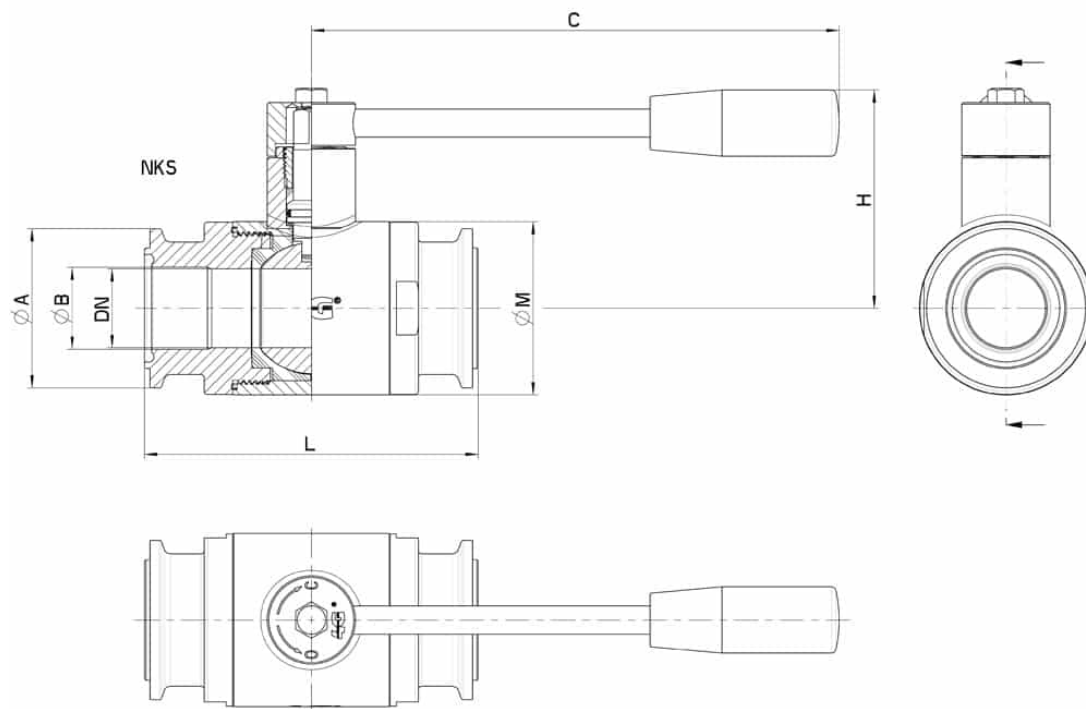
II 2G Ex h IIC T4 Gb

II 2D Ex h IIIC T135°C Db

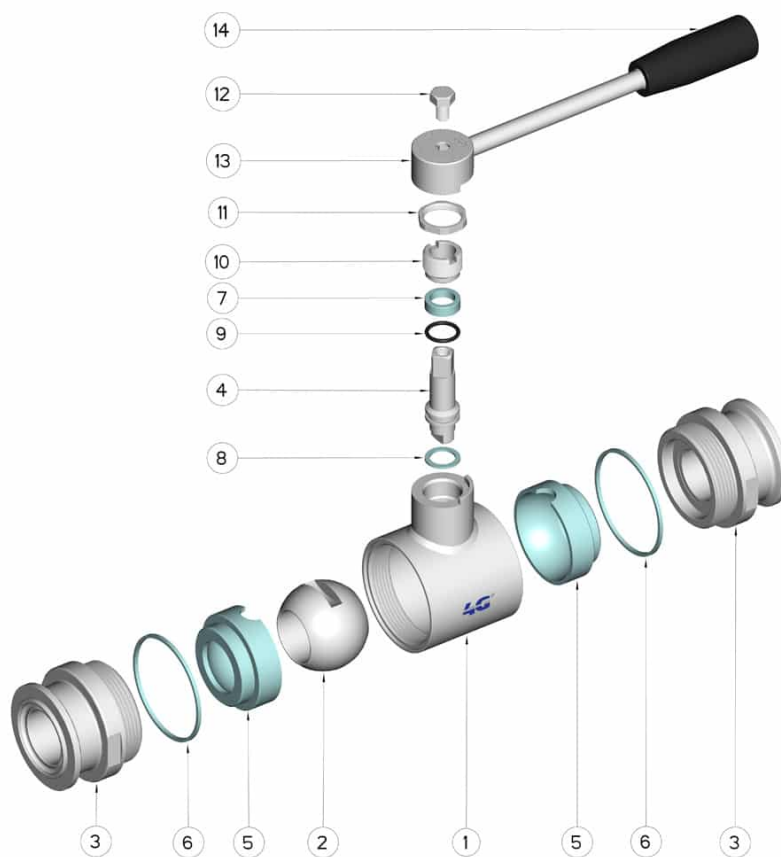
M.O.C.A. CE 1935/2004

• Seals made of:

P.T.F.E. with glass -20°C+170°C



| DN | NKS - Form A | L | Ø A | Ø B | C | H | Ø M | PN | Kg | CODE AISI 316L |
|-----|--------------|-----|------|-----|-----|-----|-----|-----|----|----------------|
| 10 | Ø 34 | 88 | 34 | 10 | 110 | 55 | 35 | 100 | - | 130167 61410 |
| 15 | Ø 34 | 92 | 34 | 16 | 110 | 60 | 42 | 100 | - | 130167 61910 |
| 20 | Ø 50,5 | 102 | 50,5 | 20 | 160 | 65 | 48 | 100 | - | 130167 62010 |
| 25 | Ø 50,4 | 106 | 50,5 | 26 | 160 | 70 | 55 | 64 | - | 130167 62810 |
| 32 | Ø 50,4 | 112 | 50,5 | 32 | 160 | 75 | 65 | 64 | - | 130167 63010 |
| 40 | Ø 64 | 126 | 64 | 38 | 190 | 85 | 80 | 64 | - | 130167 63510 |
| 50 | Ø 77,5 | 136 | 77,5 | 50 | 190 | 95 | 95 | 40 | - | 130167 64010 |
| 65 | Ø 91 | 154 | 91 | 66 | 220 | 115 | 113 | 40 | - | 130167 64610 |
| 80 | Ø 106 | 184 | 106 | 81 | 285 | 135 | 140 | 40 | - | 130167 64910 |
| 100 | Ø 130 | 190 | 130 | 100 | 310 | 150 | 167 | 25 | - | 130167 65610 |



| POS. | Denomination | PCS | MAT. |
|------|---------------|-----|-----------------|
| 1 | Body | 1 | AISI 316L |
| 2 | Ball | 1 | AISI 316L |
| 3 | Sleeves | 2 | AISI 316L |
| 4 | Stem | 1 | AISI 316L |
| 5 | Ball Seals | 2 | PTFE |
| 6 | Sleeve Seals | 2 | PTFE |
| 7 | Stem Seal | 1 | PTFE |
| 8 | Stem Seal | 1 | PTFE |
| 9 | Stem or-Seal | 1 | FKM |
| 10 | Register ring | 1 | AISI 304L (303) |
| 11 | Locknut | 1 | AISI 304L |
| 12 | Vite | 1 | AISI 304L |
| 13 | Lever | 1 | AISI 304L |
| 14 | Handle | 1 | DUROPLAST (PF) |

