

130156 INTEGRAL SEALS_REVOLVING THREADED FLANGES EN 1759-1 CLASS 300



TWO-way ball valve "Integral Seal"

Drive: Inox lever

Connection: Revolving threaded flanges EN 1759-1 CLASS 300 (exANSI 300)

Flow: Full

Material: Aisi 316L (1.4404)

Measure: from 1/2" to 4"

Seals: Virgin P.T.F.E.

Operating temperature: -20°C+160°C

Outer finish: Polished

On request:

Antistatic device ATEX:

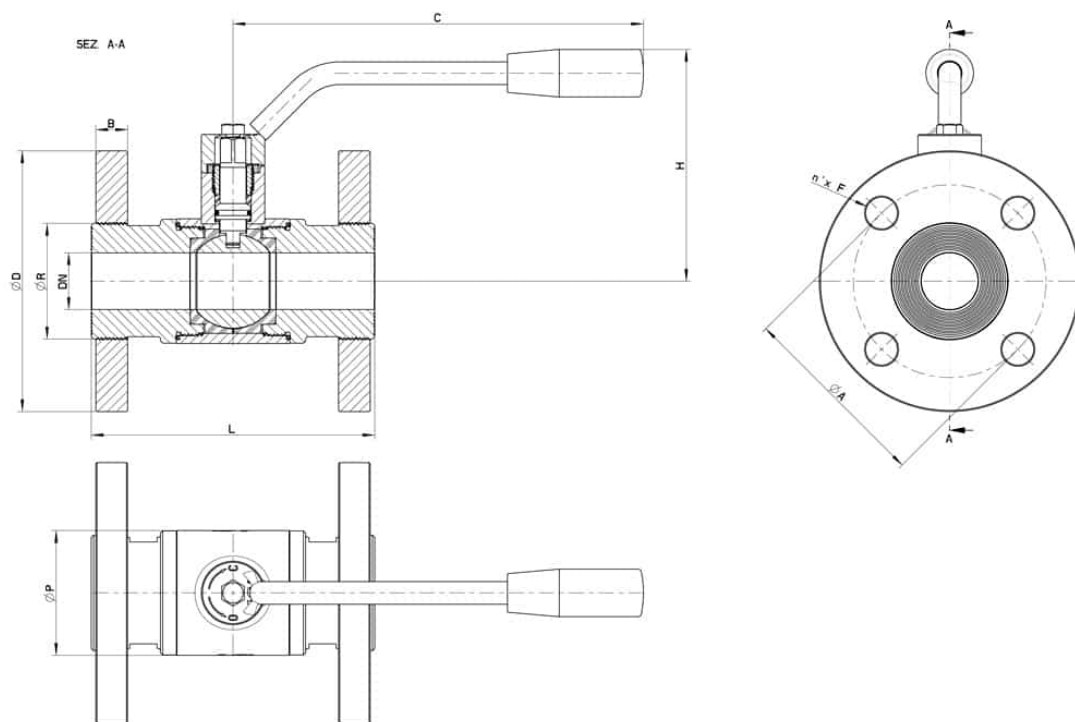
II 2G Ex h IIC T4 Gb

II 2D Ex h IIIC T135°C Db

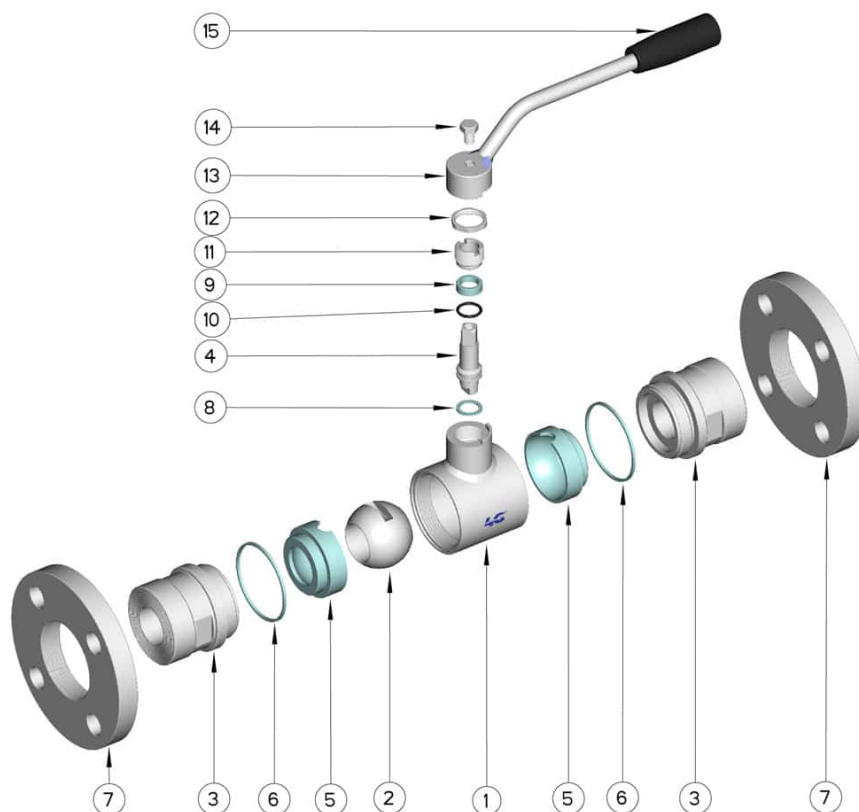
M.O.C.A. CE 1935/2004

• Seals made of:

PTFE with glass -20°C+170°C



ANSI 300	DN	L	C	H	Ø P	Ø D	B	Ø R	A	n° x F	Kg	CODE AISI 304L	CODE AISI 316L
1/2"	15	115	125	80	42	95	12,7	35	66,7	4x16	-	-	130156 61410
3/4"	20	120	125	90	48	117	14,3	42	82,6	4x19	-	-	130156 62010
1"	25	125	170	105	55	124	15,9	51	88,9	4x19	-	-	130156 62610
1" 1/4	32	130	170	115	65	133	17,4	63	98,4	4x19	-	-	130156 63010
1" 1/2	40	140	240	125	80	156	19	75	114,3	4x22	-	-	130156 63410
2"	50	150	240	135	95	165	20,6	89	127	8x19	-	-	130156 63810
2" 1/2	65	170	260	150	113	190	23,8	110	149,2	8x22,2	-	-	130156 64410
3"	80	180	300	165	140	210	27	120	168,3	8x22,2	-	-	130156 64810
4"	100	190	330	180	167	254	30,2	140	200	8x22,2	-	-	130156 65410



POS.	Denomination	PCS	MAT.
1	Body	1	AISI 316L
2	Ball	1	AISI 316L
3	Sleeves	2	AISI 316L
4	Stem	1	AISI 316L
5	Flanges	2	AISI 316L
6	Ball Seals	2	PTFE
7	Sleeve Seals	2	PTFE
8	Stem Seal	1	PTFE
9	Stem Seal	1	PTFE
10	Stem or-Seal	1	FKM
11	Register ring	1	AISI 304L (303)
12	Nut	1	AISI 304L
13	Washer	1	AISI 304L
14	Lever	1	AISI 304L
15	Handle	1	DUROPLAST (PF)

