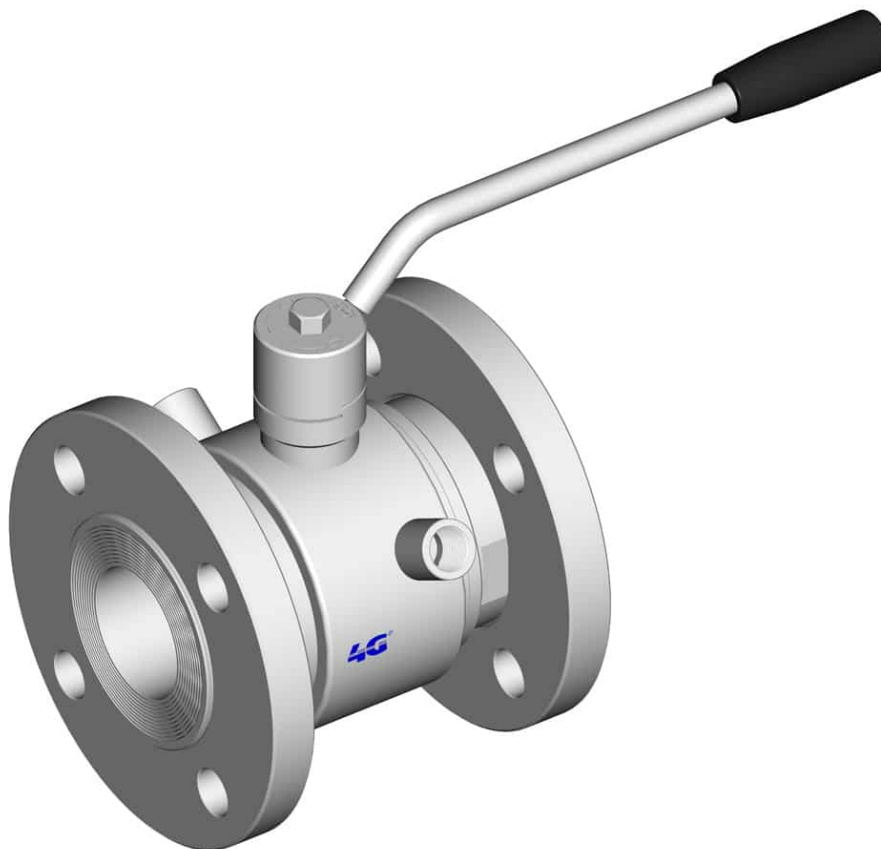


130150C INTEGRAL SEALS_REVOLVING THREADED FLANGES UNI EN 1092-1 - HEATING JACKET



TWO-way ball valve "Integral Seal" with HEATING JACKET

Drive: Inox lever

Connection: Revolving threaded flanges UNI EN 1092-1

Flow: Full and reduced

Material: Aisi 316L (1.4404)

Measure: from DN25 to DN125

Seals: Virgin P.T.F.E.

Operating temperature: -20°C+160°C

Outer finish: Polished

On request:

Antistatic device ATEX:

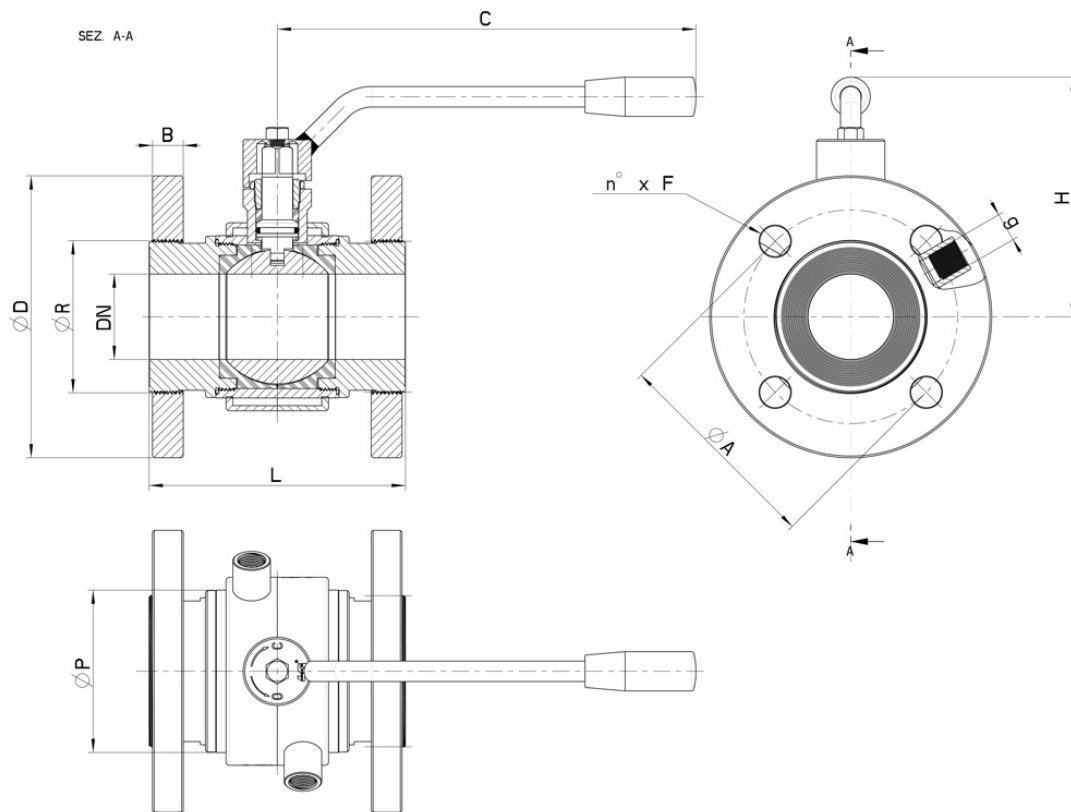
II 2G Ex h IIC T4 Gb

II 2D Ex h IIIC T135°C Db

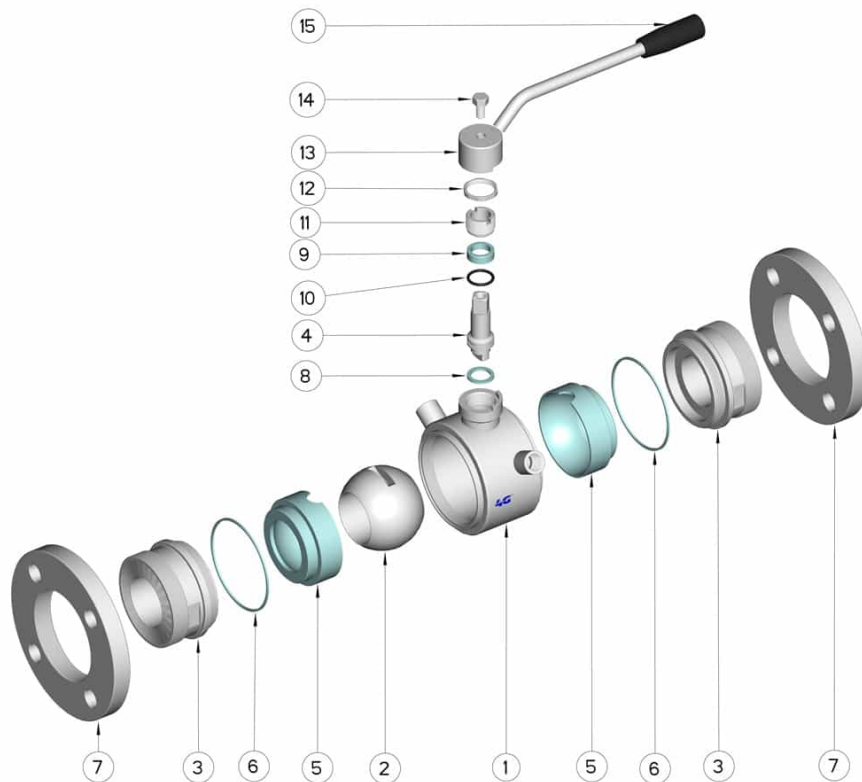
M.O.C.A. CE 1935/2004

• Seals made of:

PTFE with glass -20°C+170°C



DN	L	C	H	Ø P	Ø D	B	Ø R	A	n° x F	g	PN	Kg	CODE AISI 316L
25	125	170	105	42	115	14	51	85	4x14	1/4"	40	-	130150C62610
32	130	170	115	60	140	16	63	100	4x18	1/4"	40	-	130150C63010
40	140	240	125	73	150	16	75	110	4x18	3/8"	40	-	130150C63410
50	150	240	135	88	165	18	89	125	4x18	3/8"	40	-	130150C63810
65	170	260	150	113	185	18	110	145	4x18	1/2"	16	-	130150C64410
65	170	260	150	113	185	20	110	145	8x18	1/2"	40	-	130152C64410
80	180	300	165	135	200	18	120	160	8x18	1/2"	16	-	130150C64810
80	180	300	165	135	200	24	120	160	8x18	1/2"	40	-	130152C64810
100	190	330	180	167	220	20	140	180	8x18	1/2"	16	-	130150C65410
100	190	330	180	167	235	24	140	190	8x22	1/2"	25	-	130152C65410
125 Reduced 100	200	330	180	167	250	22	153	210	8x18	1/2"	16	-	130150C65510



Position	Denomination	PEZZI	MATERIAL
1	Body	1	AISI 304L - 316L
2	Ball	1	AISI 304L - 316L
3	Sleeves	2	AISI 304L - 316L
4	Stem	1	AISI 304L - 316L
5	Ball Seals	2	PTFE Vergine Modificato
6	Sleeve Seals	2	PTFE
7	Flanges	2	AISI 304L - 316L
8	Stem Seal	1	PTFE
9	Stem Seal	1	PTFE
10	Stem or-Seal	1	FKM
11	Register ring	1	AISI 304L (303)
12	Locknut	1	AISI 304L
13	Lever	1	AISI 304L
14	SCREW	1	AISI 304L
15	Handle	1	DUROPLAST (PF)

