

130146 INTEGRAL SEALS - M/M SMS

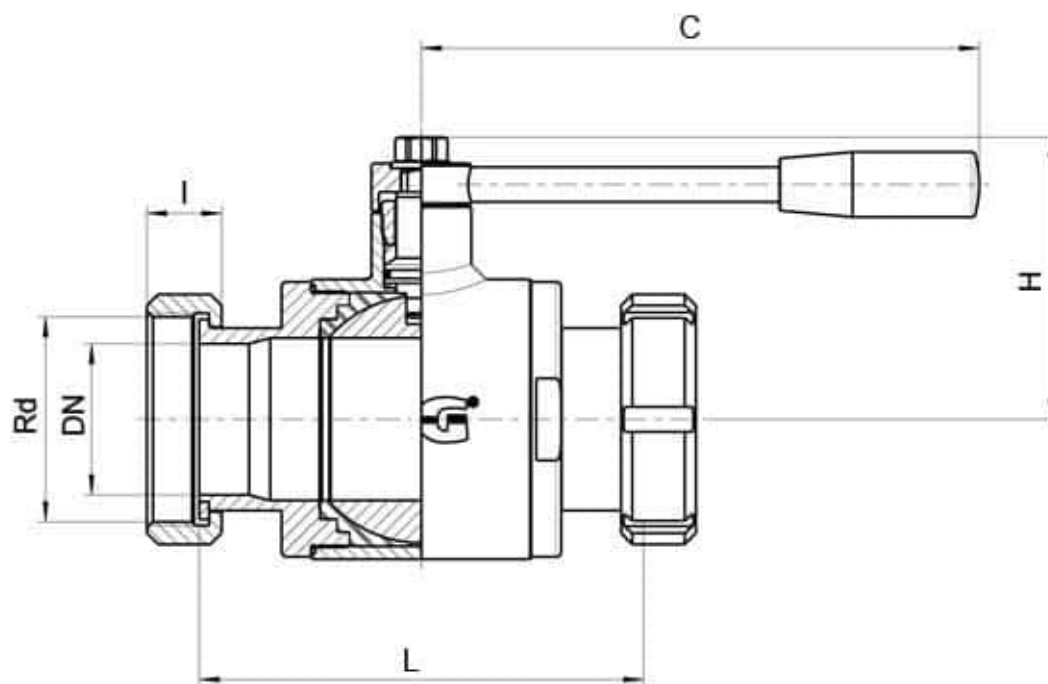


TWO-way ball valve "Integral Seals"
Drive: Inox lever
Connection: SMS male/male
Flow: Full
Material: Aisi 316L
Measure: from DN20 to DN100
Seals: Virgin P.T.F.E.
Operating temperature: -20°C+160°C
Outer finish: Polished

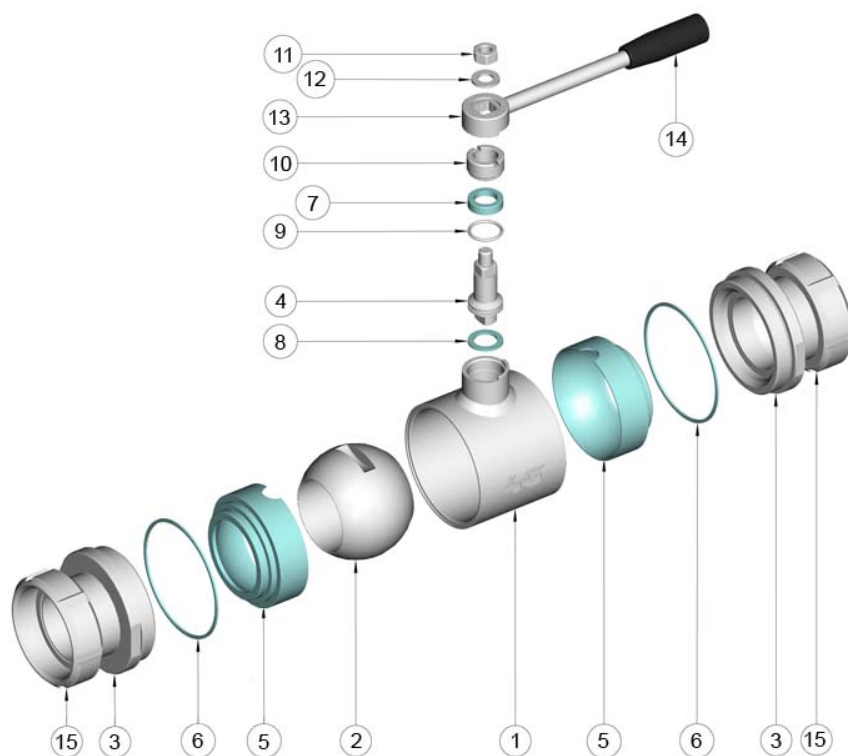
On request:

Antistatic device ATEX:
II 2G Ex h IIC T4 Gb
II 2D Ex h IIIC T135°C Db
M.O.C.A. CE 1935/2004

• Seals made of:
PTFE with glass -20°C+170°C



DN	SMS	Rd	L	I	C	H	PN	Kg	CODE AISI 316L
20	(Reduced) 25	40 x 1/6"	114	20	110	65	100	-	130146 62410
25	25	40 x 1/6"	124	20	160	70	64	-	130146 62610
40	38	60 x 1/6"	144	25	190	85	64	-	130146 63410
50	51	70 x 1/6"	156	26	190	95	40	-	130146 63810
65	63	85 x 1/6"	178	30	220	115	40	-	130146 64410
65	(Reduced) 76	98 x 1/6"	182	30	220	115	40	-	130146 64510
80	76	98 x 1/6"	198	32	285	135	40	-	130146 64810
100	104	125 x 1/4"	206	32	310	150	25	-	130146 65410
100	101	132 x 1/6"	206	32	310	150	25	-	130146 65510



POS.	Denomination	PCS	MAT.
1	Body	1	AISI 316L
2	Ball	1	AISI 316L
3	Sleeves	2	AISI 316L
4	Stem	1	AISI 316L
5	Ball Seals	2	PTFE
6	Sleeve Seals	2	PTFE
7	Stem Seal	1	PTFE
8	Stem Seal	1	PTFE
9	Stem or-Seal	1	FKM
10	Register ring	1	AISI 304L (303)
11	Nut	1	AISI 304L
12	Washer	1	AISI 304L
13	Lever	1	AISI 304L
14	Handle	1	Resin
15	Stop ring	2	AISI 304L

