

## 130145 INTEGRAL SEALS - F/M SMS



TWO-way ball valve "Integral Seal"

Drive: Inox lever

Connection: SMS female/male

Flow: Full

Material: Aisi 316L (1.4404)

Measure: from DN20 to DN100

Seals: Virgin P.T.F.E.

Operating temperature: -20°C+160°C

Outer finish: Polished

On request:

Antistatic device ATEX:

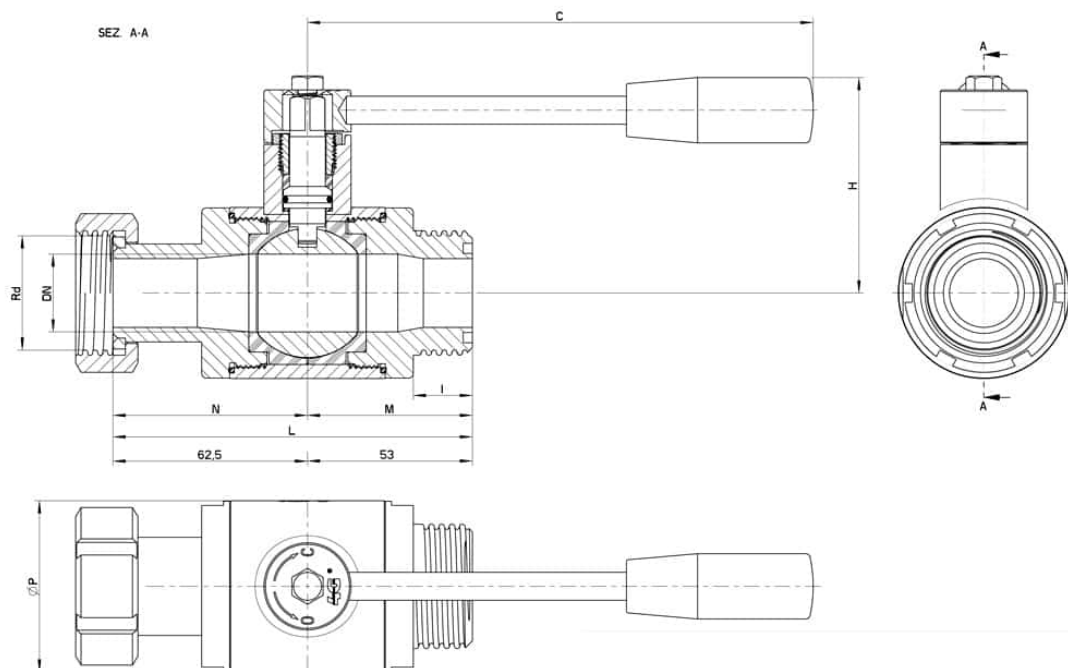
II 2G Ex h IIC T4 Gb

II 2D Ex h IIIC T135°C Db

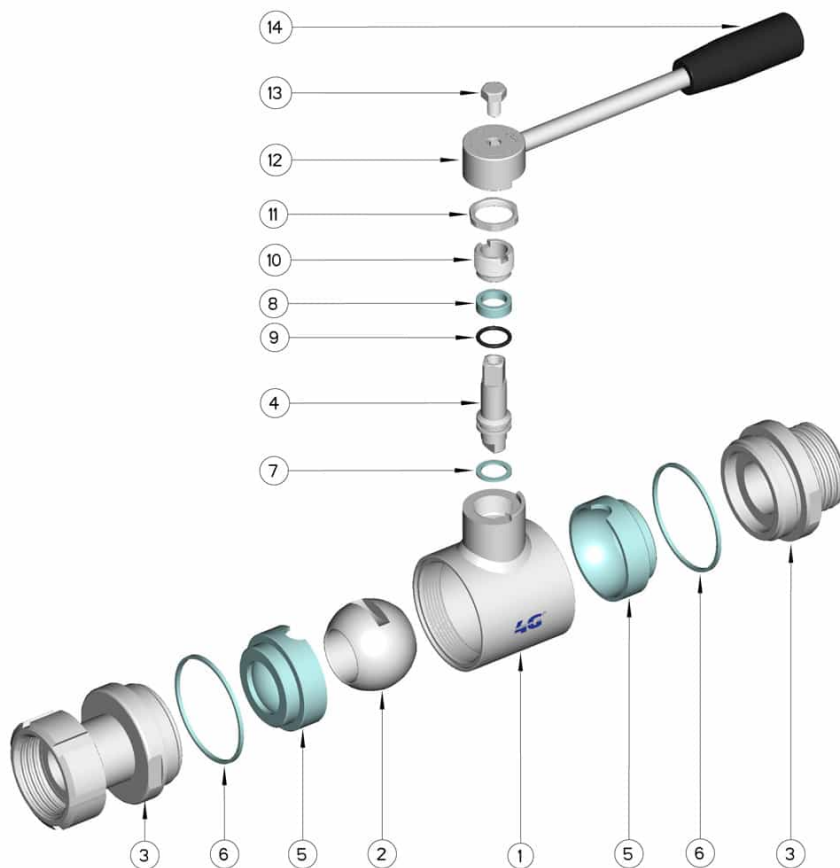
M.O.C.A. CE 1935/2004

• Seals made of:

PTFE with glass -20°C+170°C



DN	SMS	Rd	L	M	N	I	C	H	PN	Kg	CODE AISI 316L
20	(Reduced) 25	40 x 1/6"	108	51	57	20	110	65	100	-	130145 62410
25	25	40 x 1/6"	115	53	62	20	160	70	64	-	130145 62610
40	38	60 x 1/6"	135	63	72	25	190	85	64	-	130145 63410
50	51	70 x 1/6"	146	68	78	26	190	95	40	-	130145 63810
65	63	85 x 1/6"	166	77	89	30	220	115	40	-	130145 64410
65	(Reduced) 76	98 x 1/6"	168	77	91	30	235	115	40	-	130145 64510
80	76	98 x 1/6"	191	92	99	32	285	135	40	-	130145 64810
100	104	125 x 1/4"	198	95	103	32	310	150	25	-	130145 65410
100	101	132 x 1/6"	198	95	103	32	310	150	25	-	130145 65510



POS.	Denomination	PCS	MAT.
1	Body	1	AISI 316L
2	Ball	1	AISI 316L
3	Sleeves	2	AISI 316L
4	Stem	1	AISI 316L
5	Ball Seals	2	PTFE
6	Sleeve Seals	2	PTFE
7	Stem Seal	1	PTFE
8	Stem Seal	1	PTFE
9	Stem or-Seal	1	FKM
10	Register ring	1	AISI 304L (303)
11	Nut	1	AISI 304L
12	Washer	1	AISI 304L
13	Lever	1	AISI 304L
14	Handle	1	Resin
15	Stop ring	1	AISI 304L

