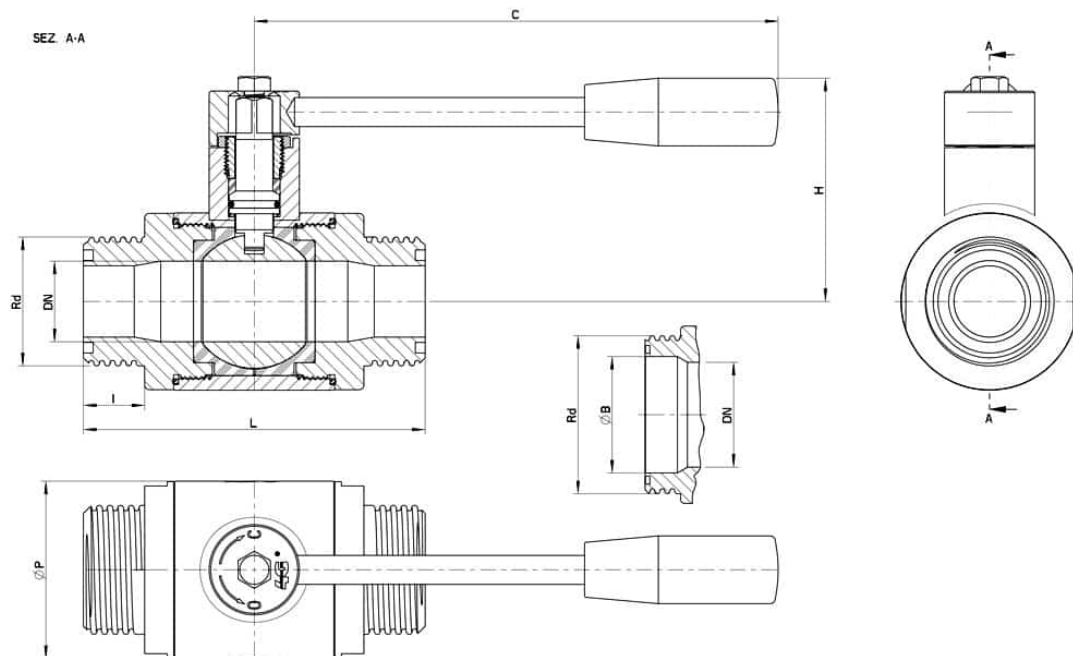


130144 INTEGRAL SEALS - F/F SMS

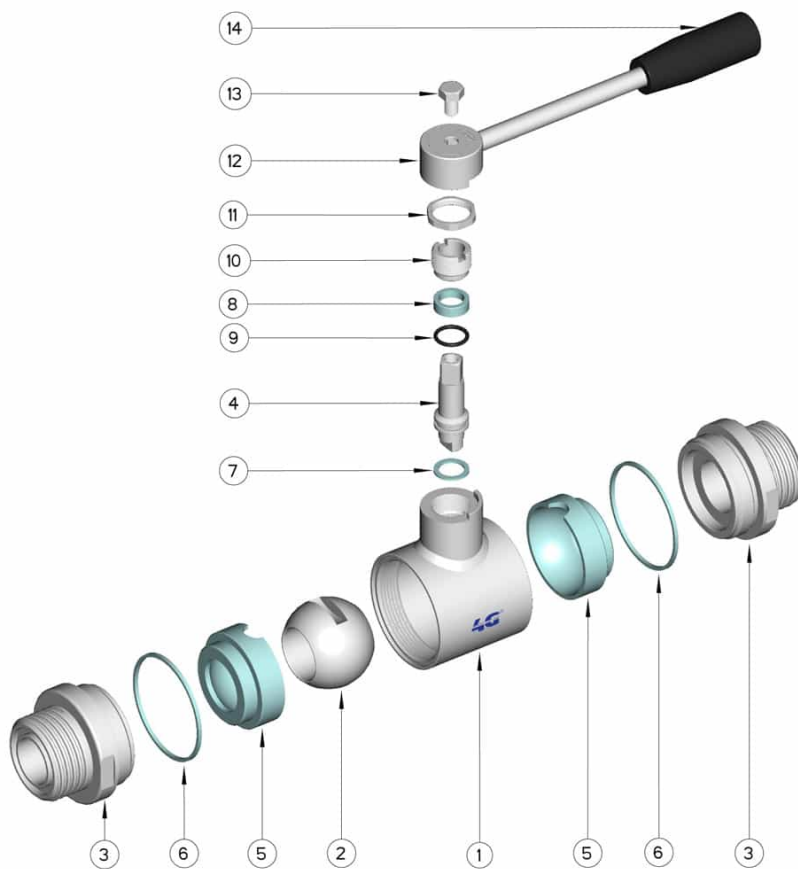


TWO-way ball valve "Integral Seals"
Drive: Inox lever
Connection: SMS female/female
Flow: Full
Material: Aisi 316L (1.4404)
Measure: from DN20 to DN100
Seals: Virgin P.T.F.E.
Operating temperature: -20°C+160°C
Outer finish: Polished

On request:
Antistatic device ATEX:
II 2G Ex h IIC T4 Gb
II 2D Ex h IIIC T135°C Db
M.O.C.A. CE 1935/2004
• Seals made of:
PTFE with glass -20°C+170°C



DN	Ø B	SMS	Rd	L	I	C	H	Ø P	PN	Kg	CODE AISI 316L
20	22,1	(Reduced) 25	40 x 1/6"	102	19	160	65	42	100	-	130144 62410
25	22,1	25	40 x 1/6"	106	19	160	70	52	64	-	130144 62610
40	35,5	38	60 x 1/6"	126	19	190	85	73	64	-	130144 63410
50	48,5	51	70 x 1/6"	136	20	190	95	88	40	4,18	130144 63810
65	60,2	63	85 x 1/6"	154	22	235	115	113	40	-	130144 64410
65	72,2	(Reduced) 76	98 x 1/6"	154	22	220	115	113	40	-	130144 64510
80	72,2	76	98 x 1/6"	184	27	285	135	135	40	11,15	130144 64810
100	98	104	125 x 1/4"	190	33	310	150	167	25	-	130144 65410
100	98	101	132 x 1/6"	190	33	310	150	167	25	-	130144 65510



POS.	Denomination	PCS	MAT.
1	Body	1	AISI 316L
2	Ball	1	AISI 316L
3	Sleeves	2	AISI 316L
4	Stem	1	AISI 316L
5	Ball Seals	2	PTFE
6	Sleeve Seals	2	PTFE
7	Stem Seal	1	PTFE
8	Stem Seal	1	PTFE
9	Stem or-Seal	1	FKM
10	Register ring	1	AISI 304L (303)
11	Nut	1	AISI 304L
12	Washer	1	AISI 304L
13	Lever	1	AISI 304L
14	Handle	1	Resin

