

130142_INTEGRAL SEALS_BUTT-WELDING IN ACCORDING TO DIN 11850



TWO-way ball valve “Integral Seal”

Drive: Inox lever

Connection: Butt-welding in according to DIN 11850

Flow: Full

Material: Aisi 316L (1.4404)

Measure: from DN10 to DN100

Seals: Virgin P.T.F.E.

Operating temperature: -20°C+160°C

Outer finish: Polished

On request:

Antistatic device ATEX:

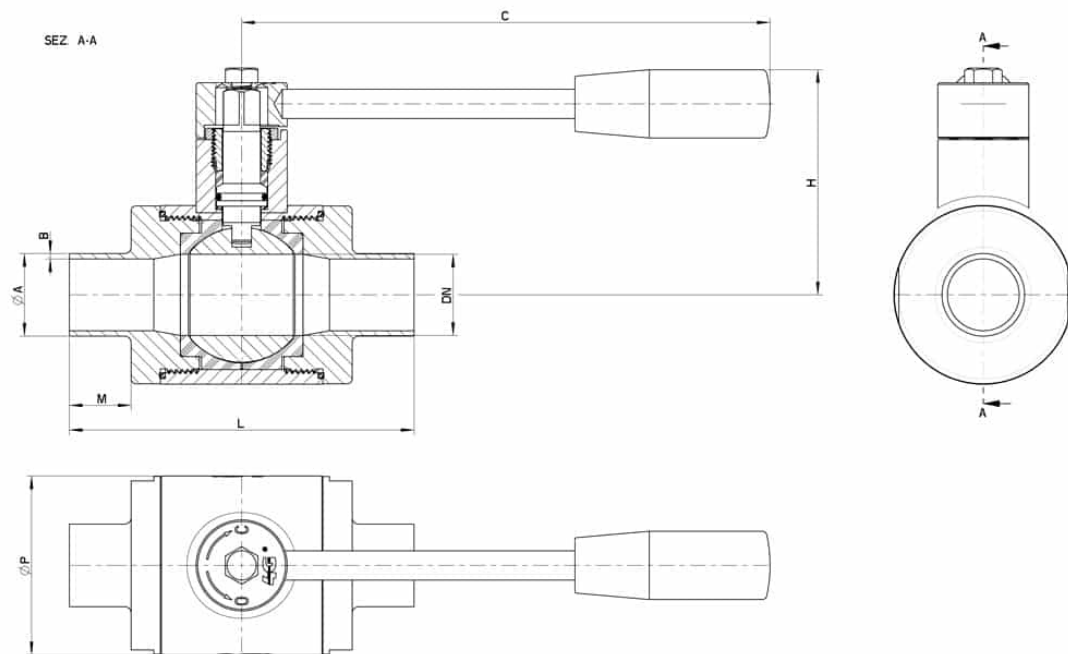
II 2G Ex h IIC T4 Gb

II 2D Ex h IIIC T135°C Db

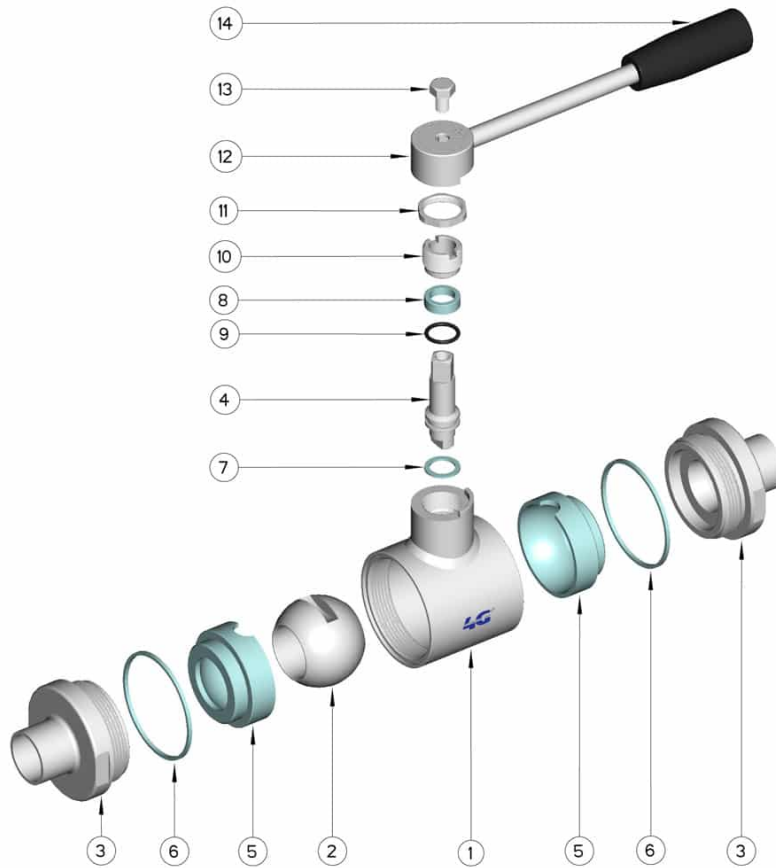
M.O.C.A. CE 1935/2004

• Seals made of:

PTFE with glass -20°C+170°C



DN	L	C	H	Ø P	M	ØA x B	PN	Kg	COD. AISI 316L
10	88	110	55	35	18	13 x 1,5	100	-	130142 6B110
15	92	110	60	42	18	19 x 1,5	100	-	130142 6B810
20	102	160	65	48	19	23 x 1,5	100	1,00	130142 6C510
25	106	160	70	55	19	29 x 1,5	64	-	130142 6F510
32	112	160	75	65	19	35 x 1,5	64	-	130142 6J510
40	126	190	100	80	19	41 x 1,5	64	-	130142 6K910
50	136	190	110	95	19	53 x 1,5	40	3,82	130142 6N910
65	154	220	120	113	21	70 x 2	40	5,80	130142 6S610
80	184	285	135	140	27	85 x 2	40	10,30	130142 6W410
100	190	320	150	167	27	104 x 2	25	-	130142 6X810



POS.	Denomination	PCS	MAT.
1	Body	1	AISI 316L
2	Ball	1	AISI 316L
3	Sleeves	2	AISI 316L
4	Stem	1	AISI 316L
5	Ball Seals	2	PTFE Vergine Modificato
6	Sleeve Seals	2	PTFE
7	Stem Seal	1	PTFE
8	Stem Seal	1	PTFE
9	Stem or-Seal	1	FKM
10	Register ring	1	AISI 304L (303)
11	Locknut	1	AISI 304L
12	Lever	1	AISI 304L
13	SCREW	1	AISI 304L
14	Handle	1	DUROPLAST (PF)

