

## 130142\_INTEGRAL SEALS\_BUTT-WELDING IN ACCORDING TO BS-OD (ASTM A-270)



TWO-way ball valve “Integral Seal”

Drive: Inox lever

Connection: Butt-welding in according to BS-OD (ASTM A-270)

Flow: Full

Material: Aisi 316L (1.4404)

Measure: from DN10 to DN100

Seals: Virgin P.T.F.E.

Operating temperature: -20°C+160°C

Outer finish: Polished

On request:

Antistatic device ATEX:

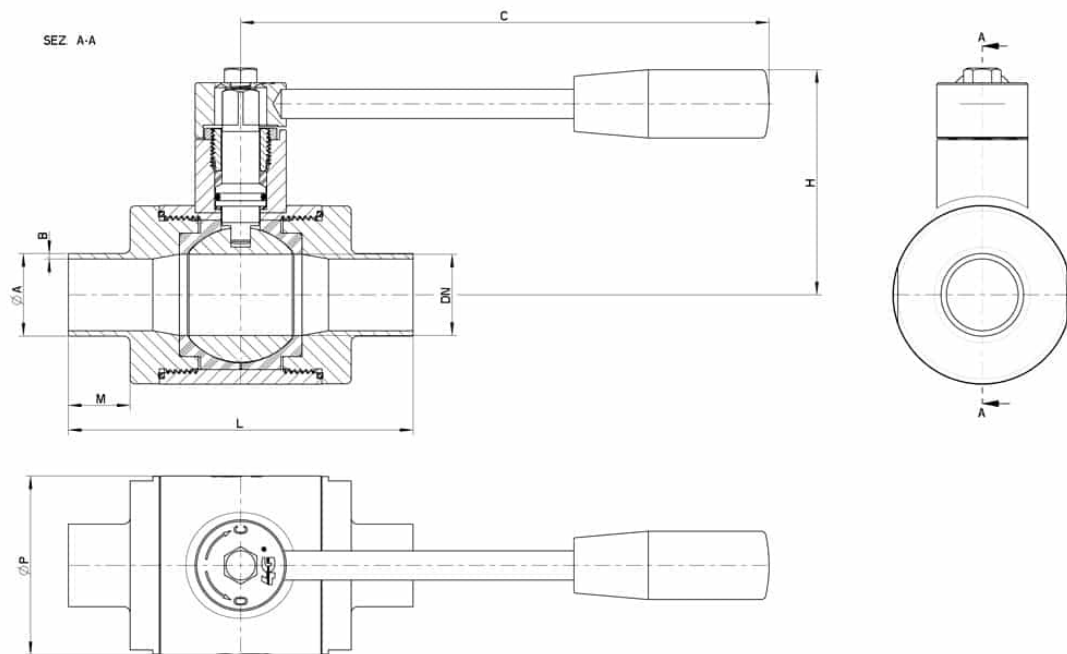
II 2G Ex h IIC T4 Gb

II 2D Ex h IIIC T135°C Db

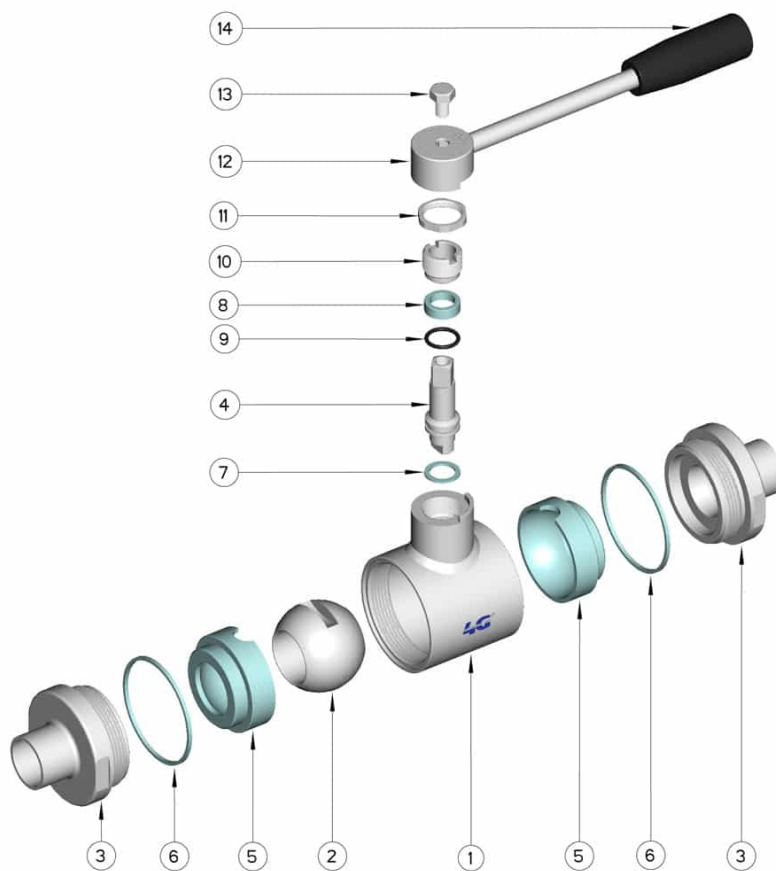
M.O.C.A. CE 1935/2004

• Seals made of:

PTFE with glass -20°C+170°C



DN	L	C	H	Ø P	M	ØA x B	PN	Kg	CODE AISI 316L
10	88	110	55	35	18	12,7 x 1,65	100	0,46	130142 6A710
15	92	110	60	42	18	19,05 x 1,65	100	0,62	130142 6B910
20	102	110	65	42	18	25,4 x 1,65	100	-	130142 6D710
25	106	160	70	55	19	25,4 x 1,65	64	1,20	130142 6D810
32	112	160	75	60	19	38,1 x 1,65	64	-	130142 6J910
40	126	190	100	80	19	38,1 x 1,65	64	2,30	130142 6K110
50	136	190	110	95	19	50,8 x 1,65	40	3,82	130142 6M810
65	154	220	115	113	21	63,5 x 1,65	40	-	130142 6R710
80	184	285	135	135	27	76,1 x 2	40	10,26	130142 6U710
100	190	310	150	167	27	101,6 x 2,11	25	14,48	130142 6X410



POS.	Denomination	PCS	MAT.
1	Body	1	AISI 316L
2	Ball	1	AISI 316L
3	Sleeves	2	AISI 316L
4	Stem	1	AISI 316L
5	Ball Seals	2	PTFE Vergine Modificato
6	Sleeve Seals	2	PTFE
7	Stem Seal	1	PTFE
8	Stem Seal	1	PTFE
9	Stem or-Seal	1	FKM
10	Register ring	1	AISI 304L (303)
11	Locknut	1	AISI 304L
12	Lever	1	AISI 304L
13	SCREW	1	AISI 304L
14	Handle	1	DUROPLAST (PF)

