

130130C FOR ISO PIPE - HEATING JACKET



TWO-way ball valve "Integral Seal" with HEATING JACKET

Drive: Inox lever

Connection: **CLAMP normative DIN 32676 TAB.3 REIHE B**
For TUBE according to normative ISO 1127

Flow: Full and reduced

Material: Aisi 316L (1.4404)

Measure: from DN25 to DN100

Seals: Virgin P.T.F.E.

Operating temperature: -20°C+160°C

Outer finish: Polished

On request:

Antistatic device ATEX:

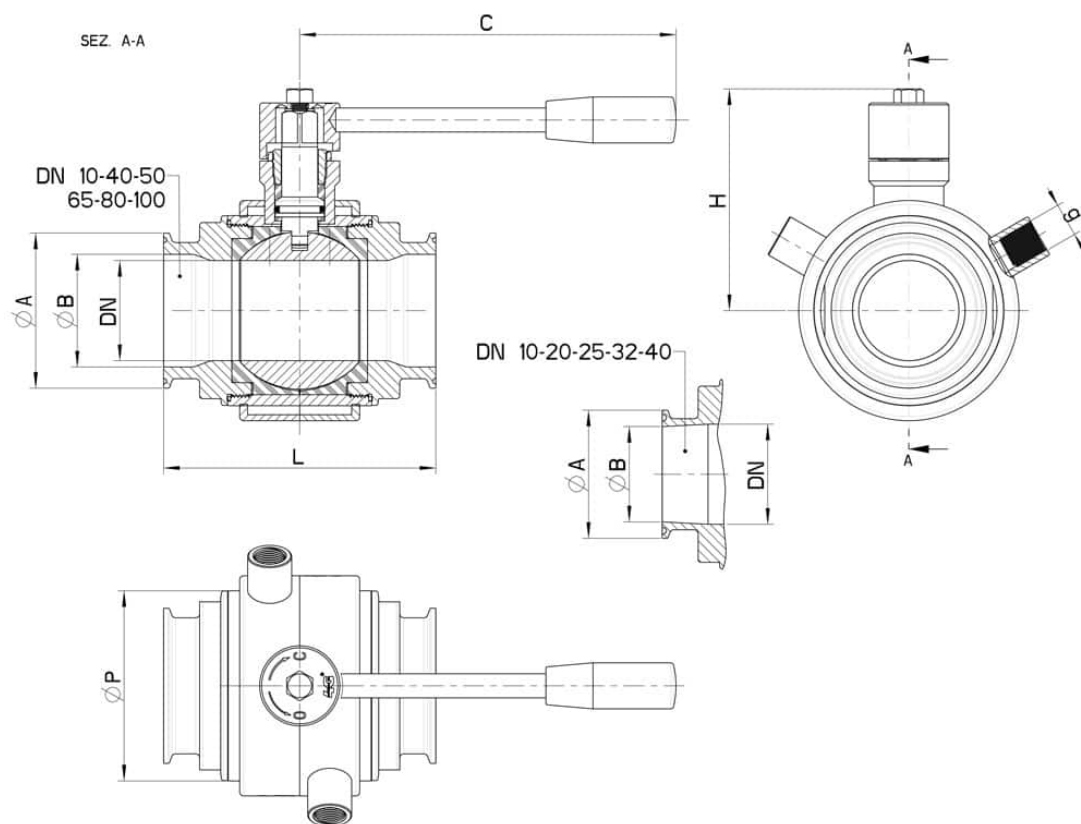
II 2G Ex h IIC T4 Gb

II 2D Ex h IIIC T135°C Db

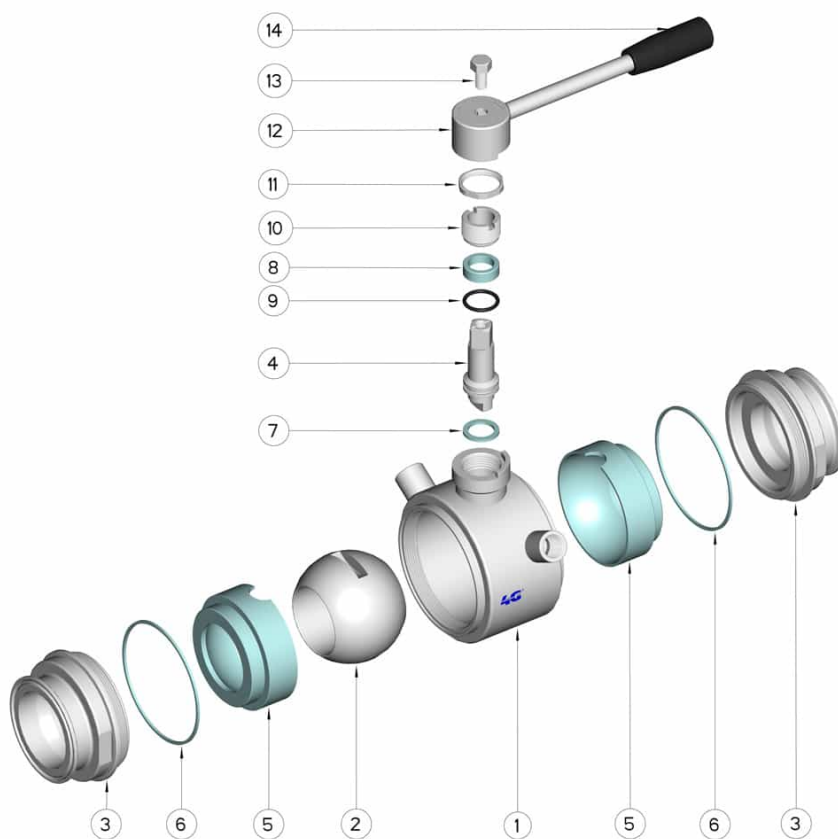
M.O.C.A. CE 1935/2004

• Seals made of:

PTFE with glass -20°C+170°C



CLAMP SERIE B DN/OD	DN	L	Ø A	Ø B	C	H	Ø P	g	PN	Kg	CODE AISI 316L
26.9	25	106	50,5	23.7	160	70	52	1/4"	64	-	130130C62510
33.7	32	112	50,5	29.7	160	75	60	1/4"	64	-	130130C63110
42.4	40	126	64	38.4	190	85	73	3/8"	64	-	130130C63310
48.3	40	126	64	44.3	190	85	73	3/8"	64	-	130130C63710
60.3	50	136	77.5	56.3	190	95	88	3/8"	40	-	130130C64110
76.1	65	154	91	72.1	220	115	113	1/2"	40	-	130130C64710
88.9	80	184	106	84.3	285	135	135	1/2"	40	-	130130C65110
114.3	100	190	130	109.7	310	150	167	1/2"	25	-	130130C65310



POS.	Denomination	PCS	MAT.
1	Body	1	AISI 316L
2	Ball	1	AISI 316L
3	Sleeves	2	AISI 316L
4	Stem	1	AISI 316L
5	Ball Seals	2	PTFE
6	Sleeve Seals	2	PTFE
7	Stem Seal	1	PTFE
8	Stem Seal	1	PTFE
9	Stem or-Seal	1	FKM
10	Register ring	1	AISI 304L (303)
11	Nut	1	AISI 304L
12	Lever	1	AISI 304L
13	SCREW	1	AISI 304L
14	Handle	1	DUROPLAST (PF)

