

## 130130C FOR DIN PIPE – HEATING JACKET



TWO-way ball valve “Integral Seal” with HEATING JACKET

Drive: Inox lever

Connection: **CLAMP normative DIN 32676 TAB.2 REIHE A**  
**For TUBE according to normative DIN 11850**

Flow: Full and reduced

Material: Aisi 316L (1.4404)

Measure: from DN25 to DN100

Seals: virgin P.T.F.E.

Operating temperature: -20°C+160°C

Outer finish: Polished

On request:

Antistatic device ATEX:

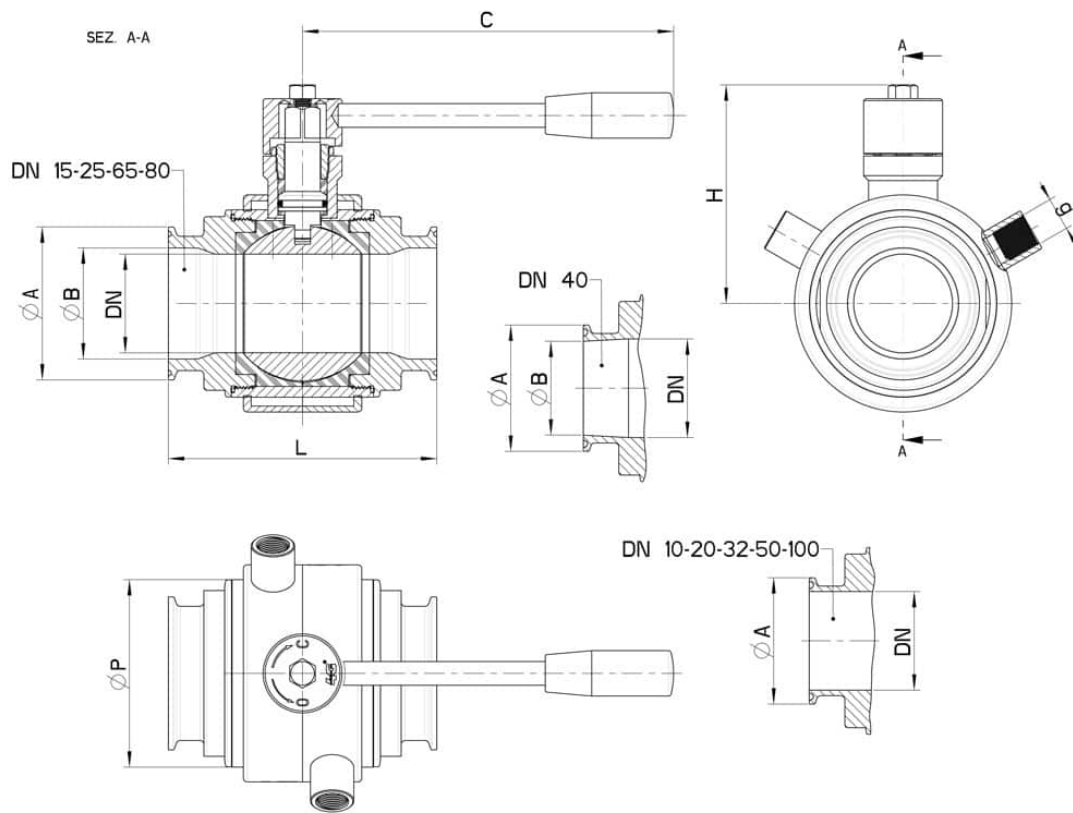
II 2G Ex h IIC T4 Gb

II 2D Ex h IIIC T135°C Db

M.O.C.A. CE 1935/2004

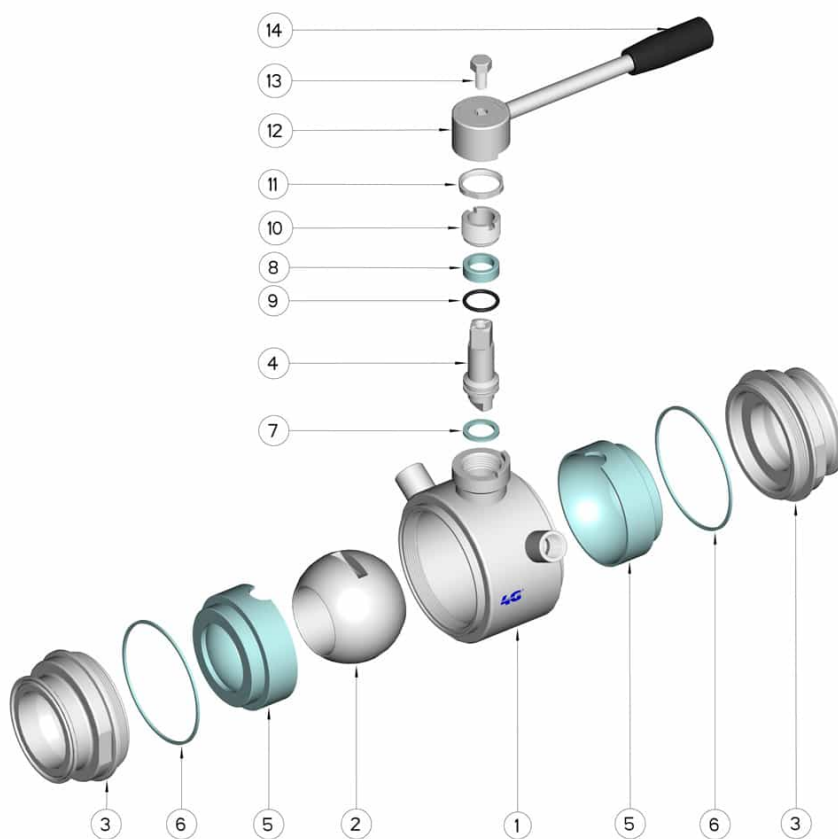
• Seals made of:

PTFE with glass -20°C+170°C



---

DN	L	Ø A	Ø B	C	H	Ø P	g	PN	Kg	CODE AISI 316L
25	106	50,5	26	160	70	52	1/4"	64	-	130130C62810
32	112	50,5	32	160	75	60	1/4"	64	-	130130C63010
40	126	50,5	38	190	85	73	3/8"	64	-	130130C63510
50	136	64	50	190	95	88	3/8"	40	-	130130C64010
65	154	91	66	220	115	113	1/2"	40	-	130130C64610
80	184	106	81	285	135	135	1/2"	40	-	130130C64910
100	190	119	100	310	150	167	1/2"	25	-	130130C65610



POS.	Denomination	PCS	MAT.
1	Body	1	AISI 316L
2	Ball	1	AISI 316L
3	Sleeves	2	AISI 316L
4	Stem	1	AISI 316L
5	Ball Seals	2	PTFE
6	Sleeve Seals	2	PTFE
7	Stem Seal	1	PTFE
8	Stem Seal	1	PTFE
9	Stem or-Seal	1	FKM
10	Register ring	1	AISI 304L (303)
11	Nut	1	AISI 304L
12	Lever	1	AISI 304L
13	SCREW	1	AISI 304L
14	Handle	1	DUROPLAST (PF)

