

## 130130C FOR BS PIPE - HEATING JACKET



TWO-way ball valve "Integral Seal" with HEATING JACKET

Drive: Inox lever

Connection: **CLAMP normative DIN 32676 TAB.4 REIHE C**  
**For TUBE according to normative BS/OD (ASTM A270)**

Flow: Full and reduced

Material: Aisi 316L (1.4404)

Measure: from 1" to 4"

Seals: Virgin P.T.F.E.

Operating temperature: -20°C+160°C

Outer finish: Polished

On request:

Antistatic device ATEX:

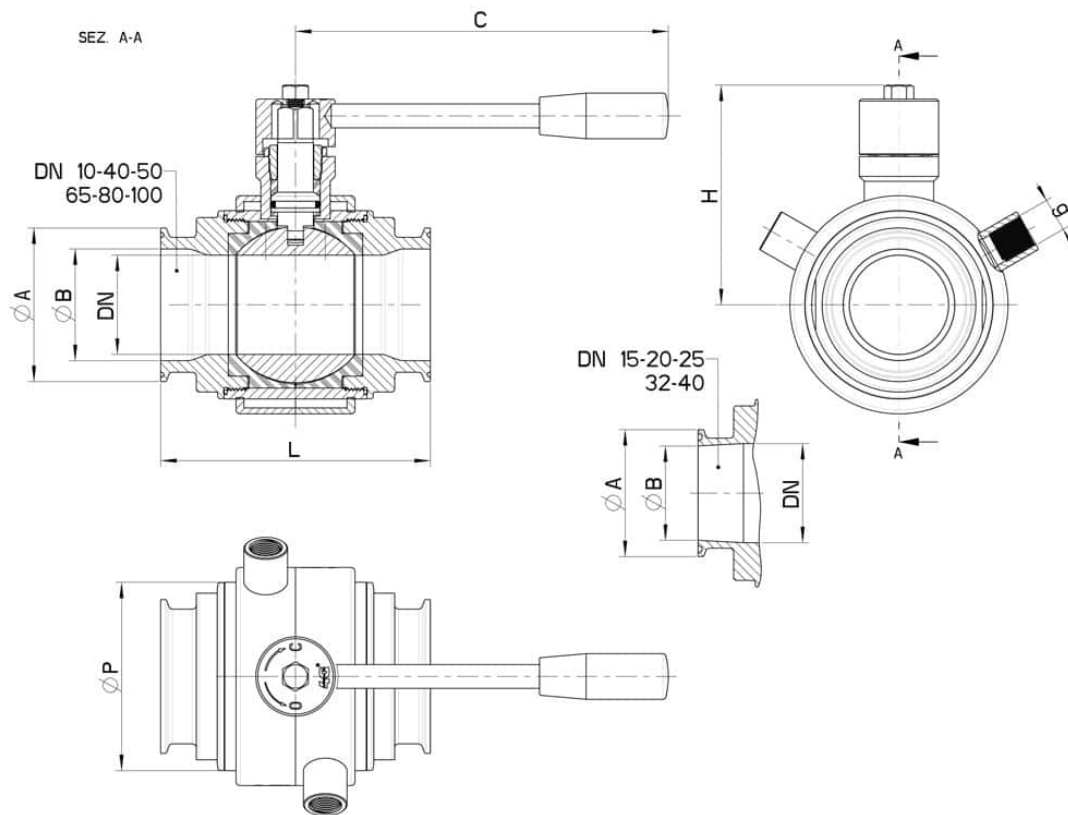
II 2G Ex h IIC T4 Gb

II 2D Ex h IIIC T135°C Db

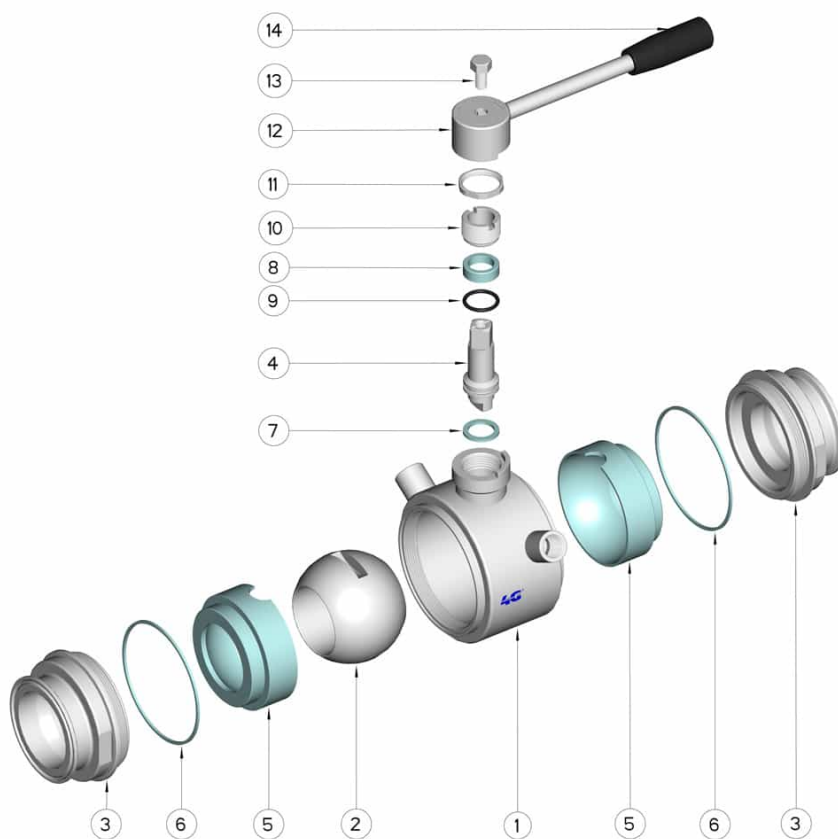
M.O.C.A. CE 1935/2004

• Seals made of:

PTFE with glass -20°C+170°C



CLAMP SERIE C DN/OD	DN	L	Ø A	Ø B	C	H	Ø P	g	PN	Kg	CODE AISI 316L
1"	25	106	50,5	22,1	160	70	53	1/4"	64	-	130130C62610
1"1/2	32	112	50,5	34,8	160	75	60	1/4"	64	-	130130C63210
1"1/2	40	126	50,5	34,8	190	85	73	3/8"	64	-	130130C63410
2"	50	136	64	47,5	190	95	88	3/8"	40	-	130130C63810
2"1/2	65	154	77,5	60,2	220	115	113	1/2"	40	-	130130C64410
3"	80	184	91	72,9	285	135	135	1/2"	40	-	130130C64810
4"	100	190	119	97,38	310	150	167	1/2"	25	-	130130C65410



POS.	Denomination	PCS	MAT.
1	Body	1	AISI 316L
2	Ball	1	AISI 316L
3	Sleeves	2	AISI 316L
4	Stem	1	AISI 316L
5	Ball Seals	2	PTFE
6	Sleeve Seals	2	PTFE
7	Stem Seal	1	PTFE
8	Stem Seal	1	PTFE
9	Stem or-Seal	1	FKM
10	Register ring	1	AISI 304L (303)
11	Nut	1	AISI 304L
12	Lever	1	AISI 304L
13	SCREW	1	AISI 304L
14	Handle	1	DUROPLAST (PF)

