

## 130130 FOR ISO PIPE



TWO-way ball valve "Integral Seal"

Drive: Inox lever

Connection: **CLAMP normative DIN 32676 TAB.3 REIHE B**  
**For TUBE according to normative ISO 1127**

Flow: Full and reduced

Material: Aisi 316L (1.4404)

Measure: from DN10 to DN100

Seals: Virgin P.T.F.E.

Operating temperature: -20°C+160°C

Outer finish: Polished

On request:

Antistatic device ATEX:

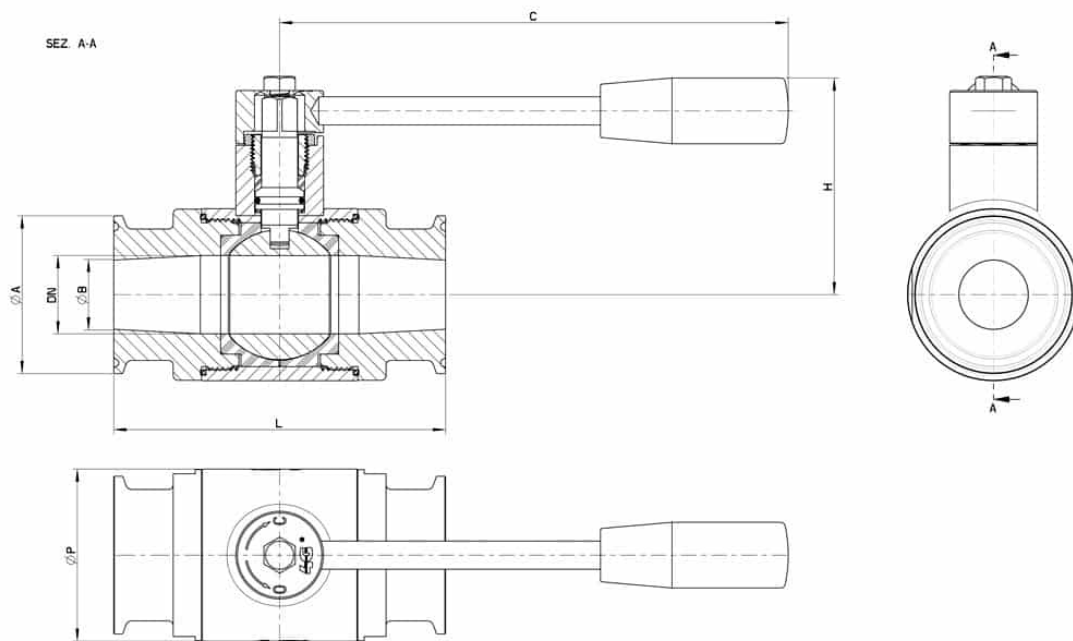
II 2G Ex h IIC T4 Gb

II 2D Ex h IIIC T135°C Db

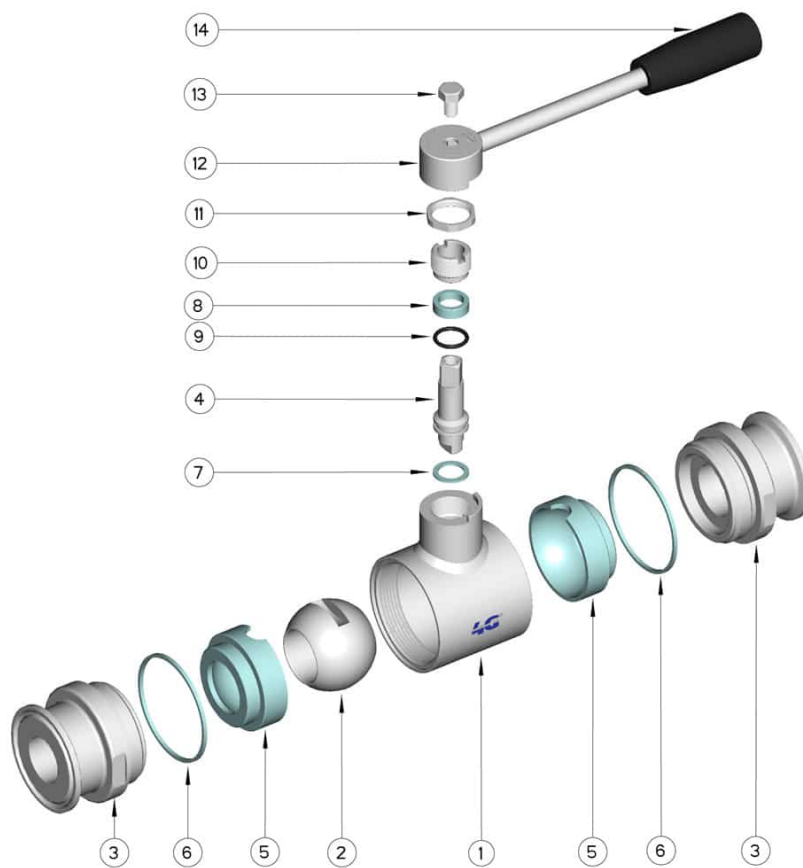
M.O.C.A. CE 1935/2004

• Seals made of:

PTFE with glass -20°C+170°C



| CLAMP SERIE B DN/OD | DN  | L   | Ø A  | Ø B   | C   | H   | Ø P | PN  | Kg    | CODE AISI 316L |
|---------------------|-----|-----|------|-------|-----|-----|-----|-----|-------|----------------|
| 13.5                | 10  | 88  | 25   | 10.3  | 110 | 55  | 30  | 100 | 0,52  | 130130 61110   |
| 17.2                | 15  | 92  | 25   | 14    | 110 | 60  | 35  | 100 | 0,64  | 130130 61710   |
| 21.3                | 20  | 102 | 50,5 | 18.1  | 160 | 65  | 42  | 100 | 1,24  | 130130 62310   |
| 26.9                | 25  | 106 | 50,5 | 23.7  | 160 | 70  | 52  | 64  | 1,42  | 130130 62510   |
| 33.7                | 32  | 112 | 50,5 | 29.7  | 160 | 75  | 60  | 64  | 1,66  | 130130 63110   |
| 42.4                | 40  | 126 | 64   | 38.4  | 190 | 85  | 73  | 64  | 2,79  | 130130 63310   |
| 48.3                | 40  | 126 | 64   | 44.3  | 190 | 85  | 73  | 64  | 2,79  | 130130 63710   |
| 60.3                | 50  | 136 | 77.5 | 56.3  | 190 | 95  | 88  | 40  | 3,87  | 130130 64110   |
| 76.1                | 65  | 154 | 91   | 72.1  | 220 | 115 | 113 | 40  | 5,97  | 130130 64710   |
| 88.9                | 80  | 184 | 106  | 84.3  | 285 | 135 | 135 | 40  | 10,70 | 130130 65110   |
| 114.3               | 100 | 190 | 130  | 109.7 | 310 | 150 | 167 | 25  | 14,40 | 130130 65310   |



| POS. | Denomination  | PCS | MAT.            |
|------|---------------|-----|-----------------|
| 1    | Body          | 1   | AISI 316L       |
| 2    | Ball          | 1   | AISI 316L       |
| 3    | Sleeves       | 2   | AISI 316L       |
| 4    | Stem          | 1   | AISI 316L       |
| 5    | Ball Seals    | 2   | PTFE            |
| 6    | Sleeve Seals  | 2   | PTFE            |
| 7    | Stem Seal     | 1   | PTFE            |
| 8    | Stem Seal     | 1   | PTFE            |
| 9    | Stem or-Seal  | 1   | FKM             |
| 10   | Register ring | 1   | AISI 304L (303) |
| 11   | Nut           | 1   | AISI 304L       |
| 12   | Washer        | 1   | AISI 304L       |
| 13   | Lever         | 1   | AISI 304L       |
| 14   | Handle        | 1   | DUROPLAST (PF)  |

