

## 130130 FOR DIN PIPE



TWO-way ball valve "Integral Seal"

Drive: Inox lever

Connection: **CLAMP normative DIN 32676 TAB.2 REIHE A**  
**For TUBE according to normative DIN 11850**

Flow: Full and reduced

Material: Aisi 316L (1.4404)

Measure: from DN10 to DN100

Seals: virgin P.T.F.E.

Operating temperature: -20°C+160°C

Outer finish: Polished

On request:

Antistatic device ATEX:

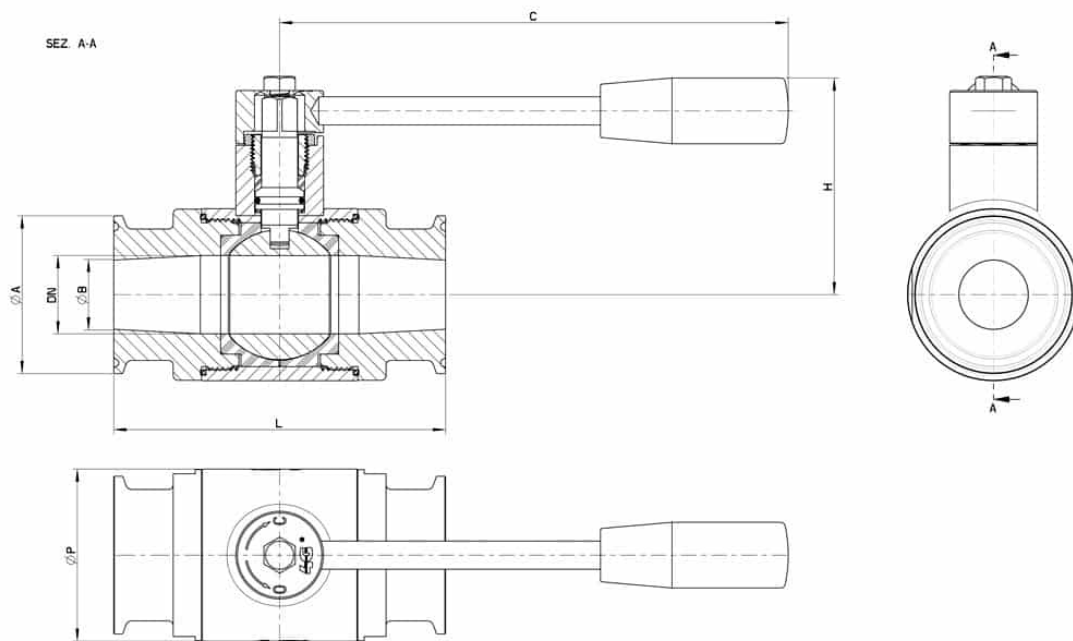
II 2G Ex h IIC T4 Gb

II 2D Ex h IIIC T135°C Db

M.O.C.A. CE 1935/2004

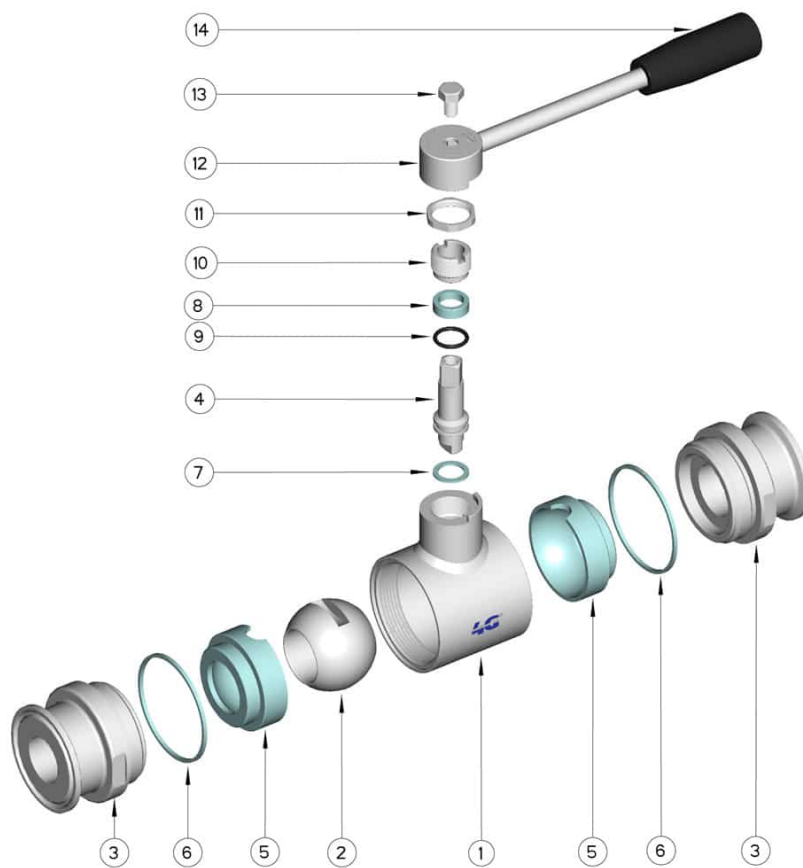
• Seals made of:

PTFE with glass -20°C+170°C



---

DN	L	Ø A	Ø B	C	H	Ø P	PN	Kg	CODE AISI 316L
10	88	34	10	110	55	30	100	0,52	130130 61410
15	92	34	16	110	60	35	100	0,64	130130 61910
20	102	34	20	160	65	42	100	1,24	130130 62010
25	106	50,5	26	160	70	52	64	1,42	130130 62810
32	112	50,5	32	160	75	60	64	1,66	130130 63010
40	126	50,5	38	190	85	73	64	2,79	130130 63510
50	136	64	50	190	95	88	40	3,87	130130 64010
65	154	91	66	220	115	113	40	5,97	130130 64610
80	184	106	81	285	135	135	40	10,70	130130 64910
100	190	119	100	310	150	167	25	14,40	130130 65610



POS.	Denomination	PCS	MAT.
1	Body	1	AISI 316L
2	Ball	1	AISI 316L
3	Sleeves	2	AISI 316L
4	Stem	1	AISI 316L
5	Ball Seals	2	PTFE
6	Sleeve Seals	2	PTFE
7	Stem Seal	1	PTFE
8	Stem Seal	1	PTFE
9	Stem or-Seal	1	FKM
10	Register ring	1	AISI 304L (303)
11	Nut	1	AISI 304L
12	Washer	1	AISI 304L
13	Lever	1	AISI 304L
14	Handle	1	DUROPLAST (PF)

