

130130 FOR BS PIPE



TWO-way ball valve "Integral Seal"

Drive: Inox lever

Connection: **CLAMP normative DIN 32676 TAB.4 REIHE C**
For TUBE according to normative BS/OD (ASTM A270)

Flow: Full and reduced

Material: Aisi 316L (1.4404)

Measure: from 1/2" to 4"

Seals: Virgin P.T.F.E.

Operating temperature: -20°C+160°C

Outer finish: Polished

On request:

Antistatic device ATEX:

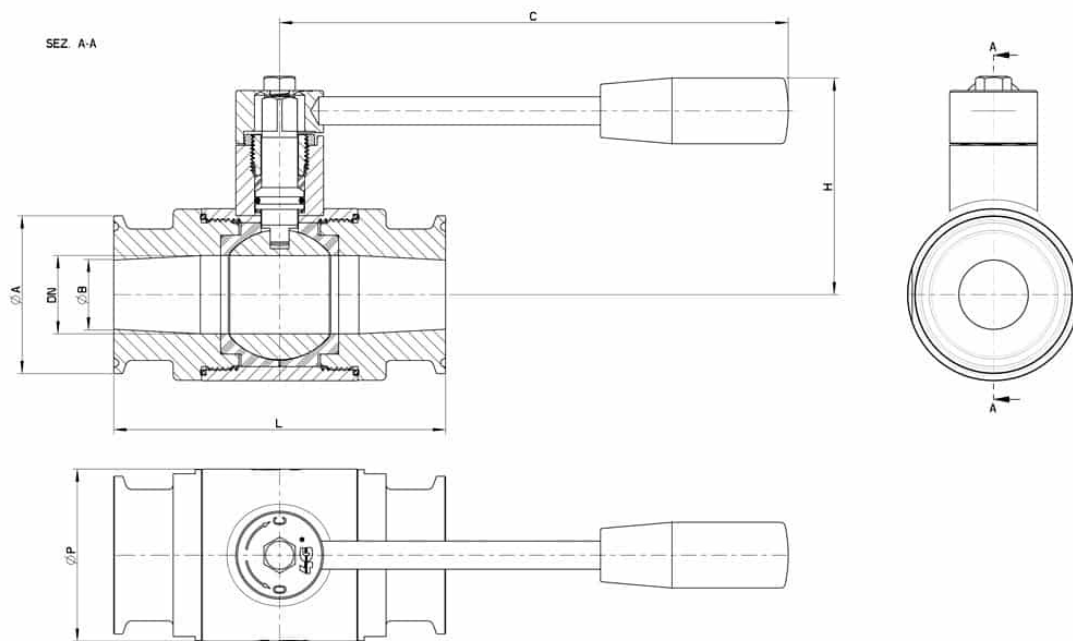
II 2G Ex h IIC T4 Gb

II 2D Ex h IIIC T135°C Db

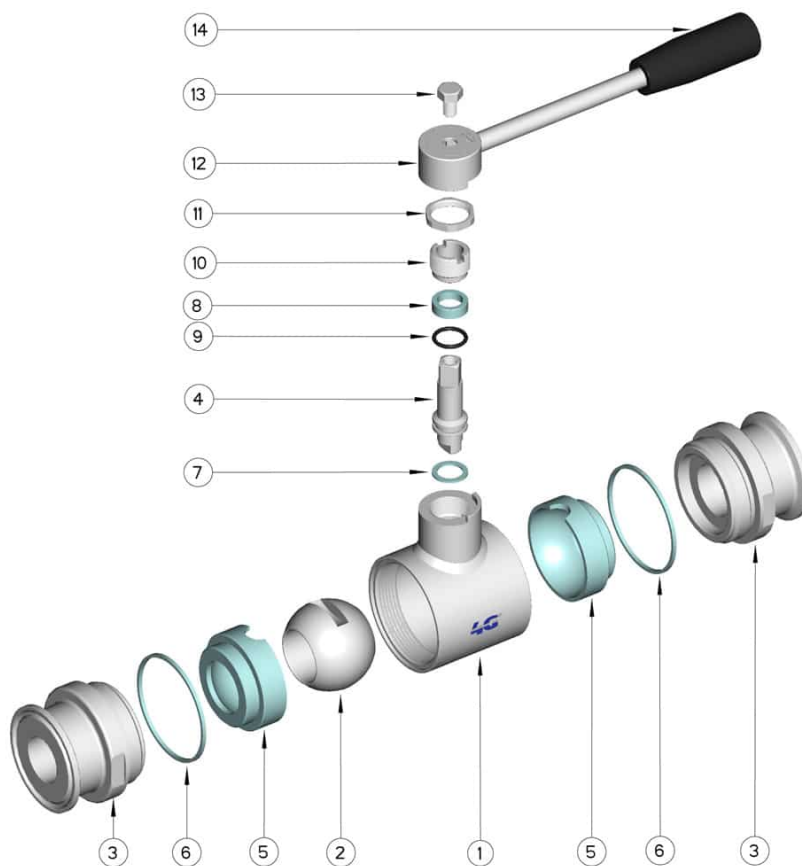
M.O.C.A. CE 1935/2004

• Seals made of:

PTFE with glass -20°C+170°C



CLAMP SERIE C DN/OD	DN	L	Ø A	Ø B	C	H	Ø P	PN	Kg	CODE AISI 316L
1/2"	10	88	25	9,4	110	55	30	100	0,52	130130 61210
3/4"	15	92	25	15,75	110	60	35	100	0,64	130130 61810
1"	20	102	50,5	22,1	160	65	42	100	1,24	130130 62410
1"	25	106	50,5	22,1	160	70	53	64	1,42	130130 62610
1"1/2	32	112	50,5	34,8	160	75	60	64	1,66	130130 63210
1"1/2	40	126	50,5	34,8	190	85	73	64	2,79	130130 63410
2"	50	136	64	47,5	190	95	88	40	3,87	130130 63810
2"1/2	65	154	77,5	60,2	220	115	113	40	5,97	130130 64410
3"	80	184	91	72,9	285	135	135	40	10,70	130130 64810
4"	100	190	119	97,38	310	150	167	25	14,40	130130 65410



POS.	Denomination	PCS	MAT.
1	Body	1	AISI 316L
2	Ball	1	AISI 316L
3	Sleeves	2	AISI 316L
4	Stem	1	AISI 316L
5	Ball Seals	2	PTFE
6	Sleeve Seals	2	PTFE
7	Stem Seal	1	PTFE
8	Stem Seal	1	PTFE
9	Stem or-Seal	1	FKM
10	Register ring	1	AISI 304L (303)
11	Nut	1	AISI 304L
12	Washer	1	AISI 304L
13	Lever	1	AISI 304L
14	Handle	1	Resin

