

130127 INTEGRAL SEALS – M/M DIN 11851



TWO-way ball valve “Integral Seal”

Drive: Inox lever

Connection: DIN 11851 male/male

Flow: Full

Material: Aisi 316L (1.4404)

Measure: from DN10 to DN100

Seals: Virgin P.T.F.E.

Operating temperature: -20°C+160°C

Outer finish: Polished

On request:

Antistatic device ATEX:

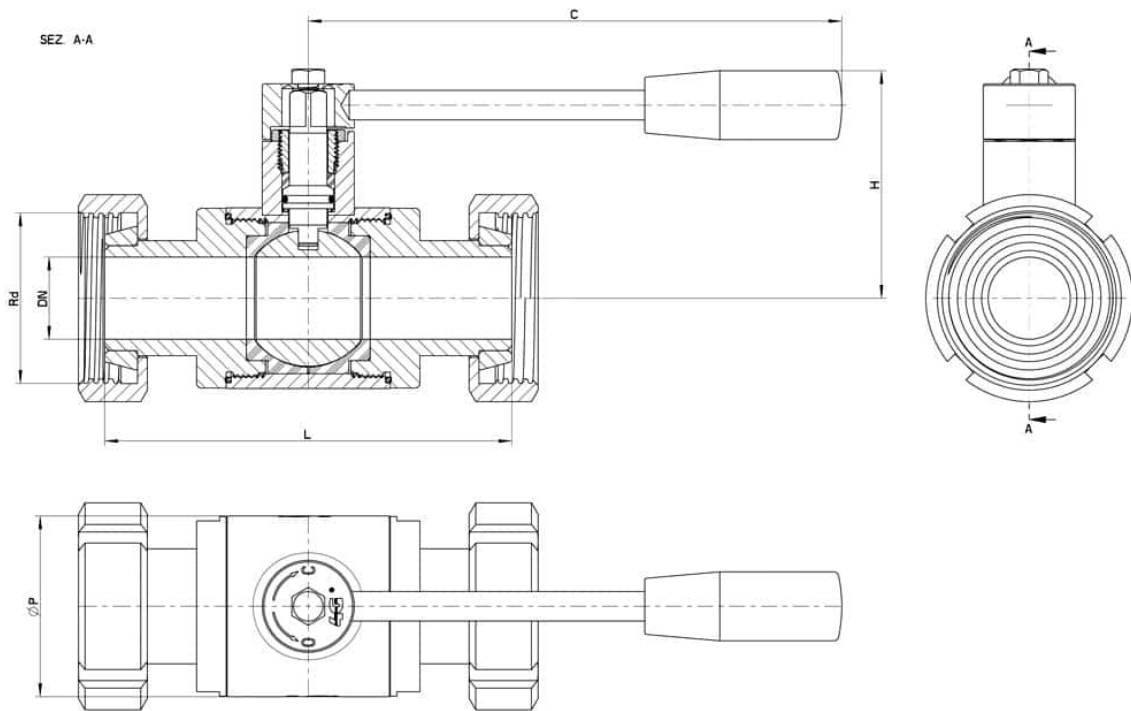
II 2G Ex h IIC T4 Gb

II 2D Ex h IIIC T135°C Db

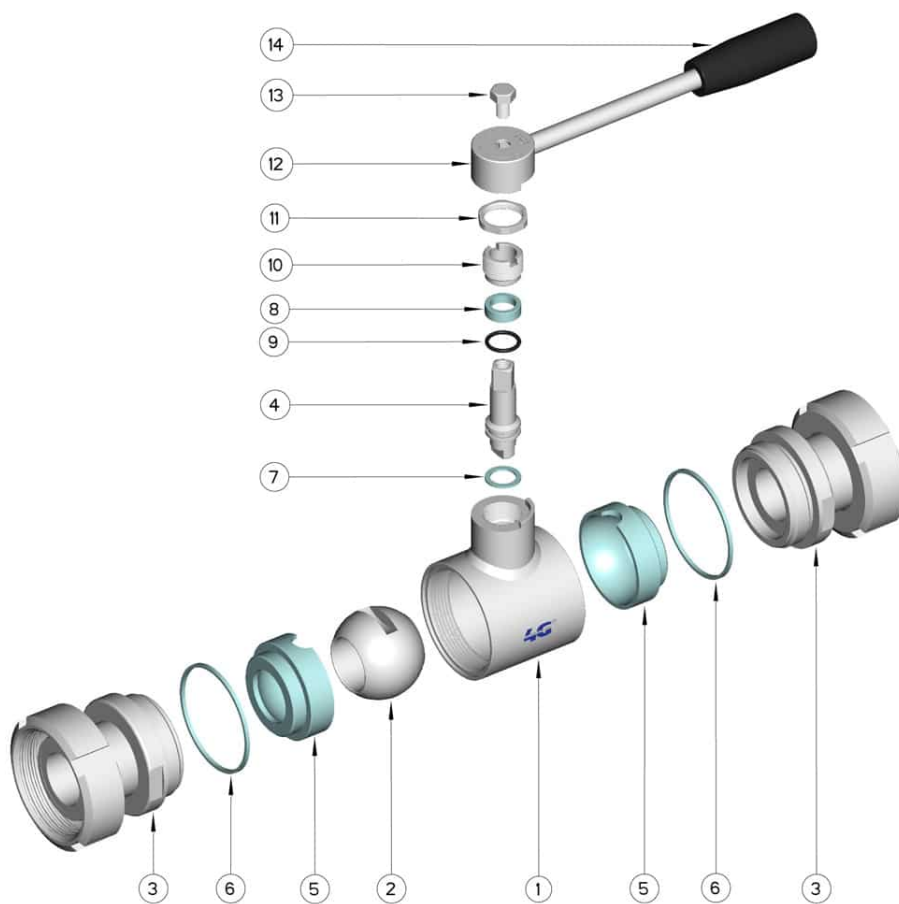
M.O.C.A. CE 1935/2004

• Seals made of:

PTFE with glass -20°C+170°C



DN	Rd	L	C	H	ØP	PN	Kg	CODE AISI 316L
10	28 x 1/8"	100	110	55	35	100	-	130127 60810
15	34 x 1/8"	104	110	60	42	100	-	130127 61410
20	44 x 1/6"	118	160	65	48	100	-	130127 62010
25	52 x 1/6"	124	160	70	55	64	-	130127 62610
32	58 x 1/6"	130	160	75	65	64	-	130127 63010
40	65 x 1/6"	144	190	85	80	64	3,320	130127 63410
50	78 x 1/6"	156	190	95	95	40	4,800	130127 63810
65	95 x 1/6"	172	220	115	113	40	-	130127 64410
80	110 x 1/4"	194	285	135	140	40	12,440	130127 64810
100	130 x 1/4"	206	310	150	167	25	-	130127 65410



POS.	DENOMINATION	PCS	MAT.
1	Body	1	AISI 316L
2	Ball	1	AISI 316L
3	Sleeves	2	AISI 316L
4	Stem	1	AISI 316L
5	Ball Seals	2	PTFE
6	Sleeve Seals	2	PTFE
7	Stem Seal	1	PTFE
8	Stem Seal	1	PTFE
9	Stem or-Seal	1	FKM
10	Register ring	1	AISI 304L (303)
11	Nut	1	AISI 304L
12	Washer	1	AISI 304L
13	Lever	1	AISI 304L
14	Handle	1	DUROPLAST (PF)
15	Stop ring	2	AISI 304L

