

130125 INTEGRAL SEALS - F/F DIN 11851



TWO-way ball valve "Integral Seal"

Drive: Inox lever

Connection: DIN 11851 female/female

Flow: Full

Material: Aisi 316L (1.4404)

Measure: from DN10 to DN100

Seals: Virgin P.T.F.E.

Operating temperature: -20°C+160°C

Outer finish: Polished

On request:

Antistatic device ATEX:

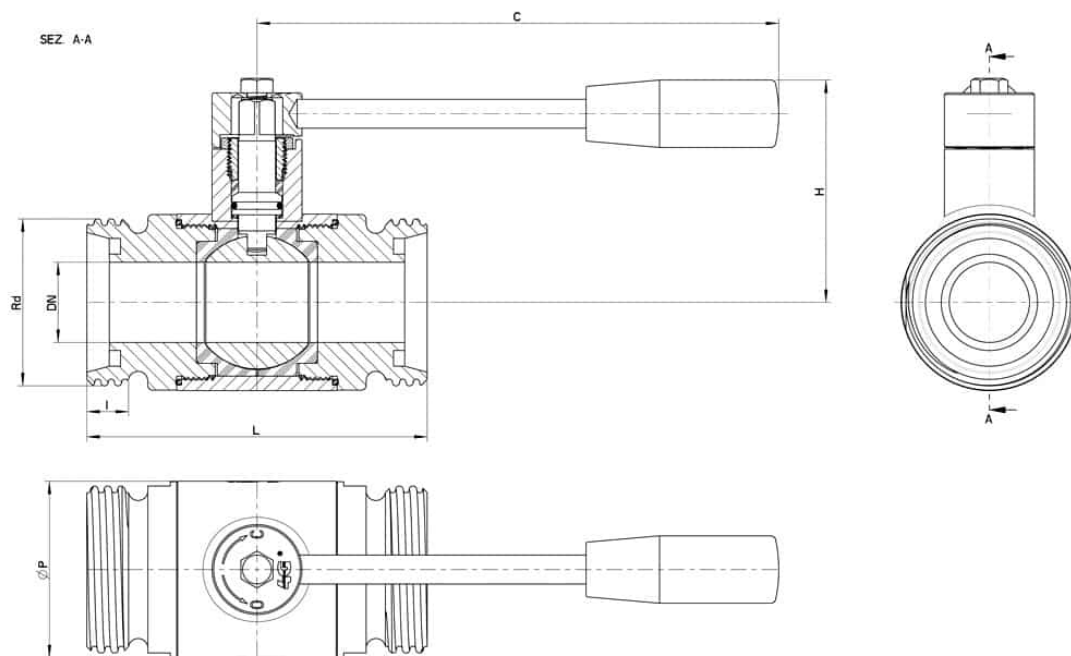
II 2G Ex h IIC T4 Gb

II 2D Ex h IIIC T135°C Db

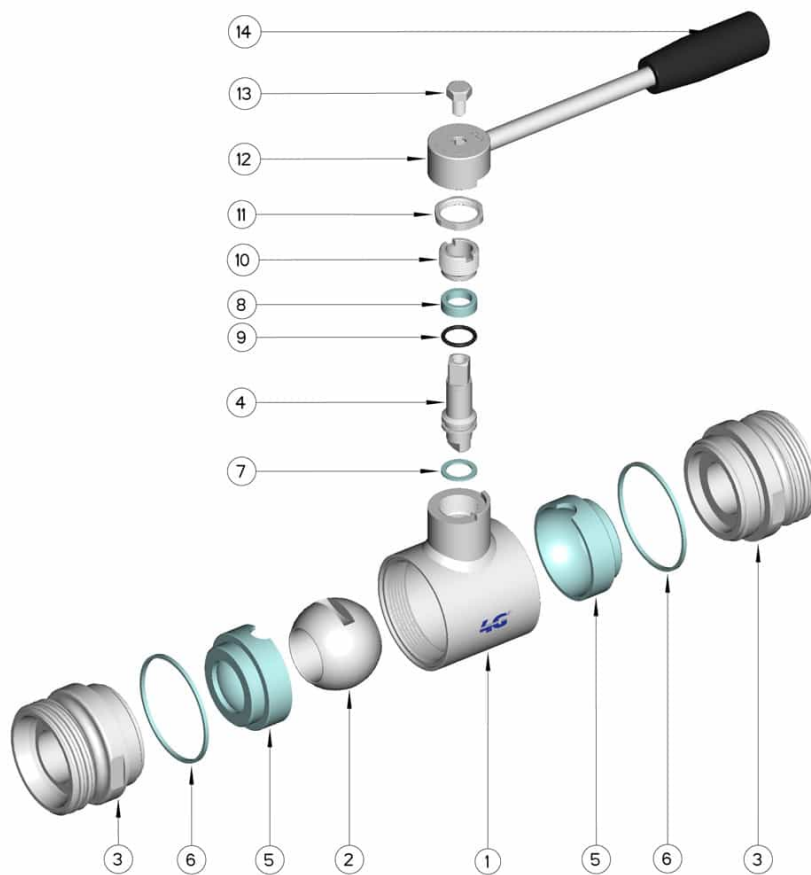
M.O.C.A. CE 1935/2004

• Seals made of:

PTFE with glass -20°C+170°C



DIN	DN	Rd	L	I	C	H	ØP	PN	Kg	CODE AISI 316L
10	10	28 x 1/8"	88	12	110	55	35	100	0,54	130125 60810
15	15	34 x 1/8"	92	12	110	60	42	100	0,65	130125 61410
20	20	44 x 1/6"	102	14	160	65	48	100	1,20	130125 62010
25	25	52 x 1/6"	106	14	160	70	55	64	1,38	130125 62610
32	32	58 x 1/6"	112	14	160	75	65	64	1,74	130125 63010
40	40	65 x 1/6"	126	14	190	85	80	64	2,94	130125 63410
50	50	78 x 1/6"	136	14	190	95	95	40	4,17	130125 63810
65	65	95 x 1/6"	154	16	220	115	113	40	6,28	130125 64410
80	80	110 x 1/4"	184	20	285	135	140	40	10,09	130125 64810
100	100	130 x 1/4"	190	20	310	150	167	25	14,40	130125 65410
125	Reduced 100	160 x 1/6"	190	25	310	150	167	25	-	130125 65510



POS.	Denomination	PCS	MAT.
1	Body	1	AISI 316L
2	Ball	1	AISI 316L
3	Sleeves	2	AISI 316L
4	Stem	1	AISI 316L
5	Ball Seals	2	PTFE
6	Sleeve Seals	2	PTFE
7	Stem Seal	1	PTFE
8	Stem Seal	1	PTFE
9	Stem or-Seal	1	FKM
10	Register ring	1	AISI 304L (303)
11	Nut	1	AISI 304L
12	Washer	1	AISI 304L
13	Lever	1	AISI 304L
14	Handle	1	DUROPLAST (PF)

