

130109 INTEGRAL SEALS - ISO 228 F/M



TWO-way ball valve "Integral Seal"

Drive: Inox lever

Connection: ISO 228 female/male thread

Flow: Full

Material: Aisi 316L (1.4404)

Measure: From 1/4" to 4"

Seals: Virgin P.T.F.E.

Operating temperature: -20°C+160°C

Outer finish: Polished

On request:

Antistatic device ATEX:

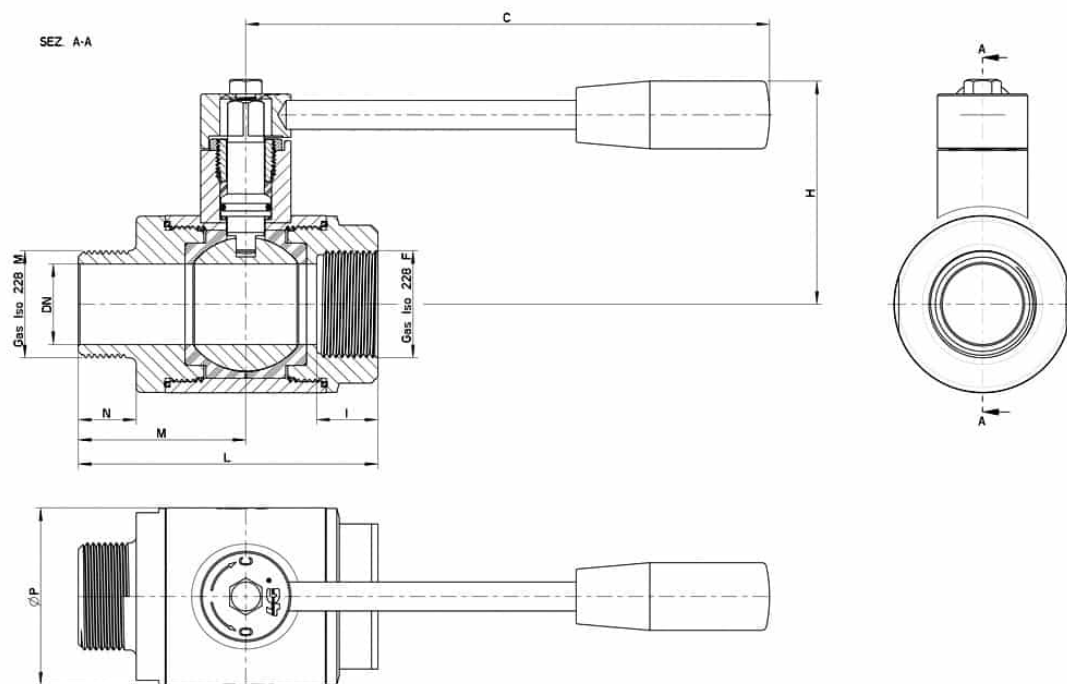
II 2G Ex h IIC T4 Gb

II 2D Ex h IIIC T135°C Db

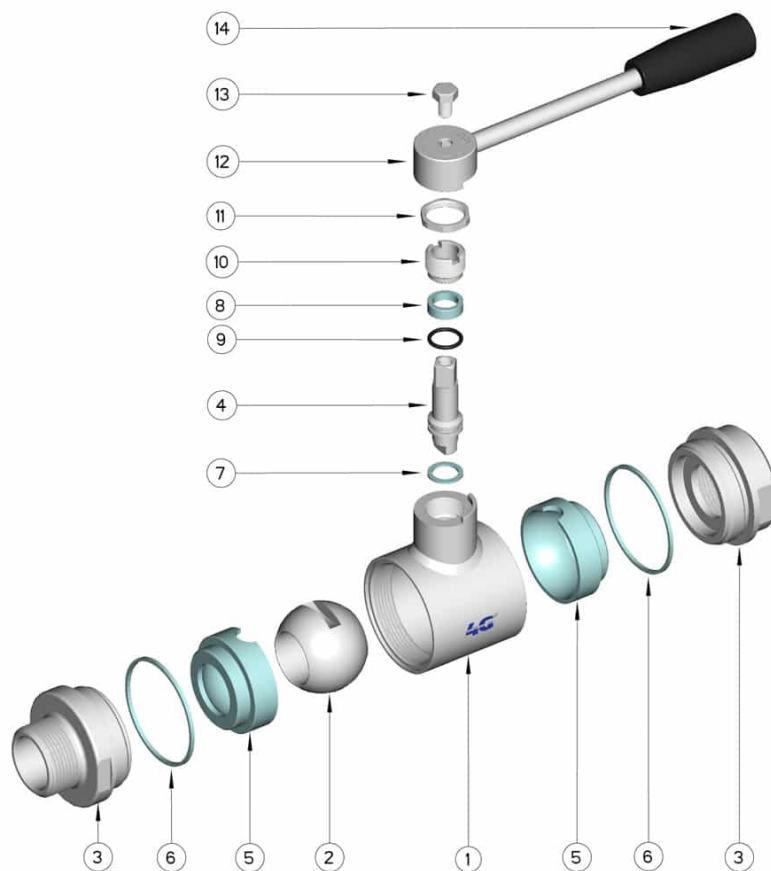
M.O.C.A. CE 1935/2004

• Seals made of:

PTFE with glass -20°C+170°C



G	DN	L	I	N	M	C	H	ØP	PN	Kg	CODE AISI 316L
1/4"	9	64	13	11	38	110	55	35	100	0,42	130109 60410
3/8"	10	66	13	13	40	110	55	35	100	0,42	130109 60810
1/2"	15	76	15	15	45	110	60	42	100	0,58	130109 61410
3/4"	20	85	17	16	49	160	65	48	100	0,94	130109 62010
1"	25	93	19	18	52	160	70	55	64	1,16	130109 62610
1"1/4	32	103	19	18	57	160	75	65	64	1,51	130109 63010
1"1/2	40	116	20	20	64	190	85	80	64	2,73	130109 63410
2"	50	131	20	24	73	190	95	95	40	3,75	130109 63810
2"1/2	65	145	20	25	83	220	115	113	40	5,81	130109 64410
3"	80	170	24	30	95	285	135	140	40	10,86	130109 64810
4"	100	192	26	36	104	310	150	167	25	15,20	130109 65410



POS.	Denomination	PCS	MAT.
1	Body	1	AISI 316L
2	Ball	1	AISI 316L
3	Sleeves	2	AISI 316L
4	Stem	1	AISI 316L
5	Ball Seals	2	PTFE
6	Sleeve Seals	2	PTFE
7	Stem Seal	1	PTFE
8	Stem Seal	1	PTFE
9	Stem or-Seal	1	FKM
10	Register ring	1	AISI 304L (303)
11	Nut	1	AISI 304L
12	Washer	1	AISI 304L
13	Lever	1	AISI 304L
14	Handle	1	Resin

