

130104 INTEGRAL SEALS - F NPT



TWO-way ball valve "Integral Seal"

Drive: ISO 5211 - DIN 3337 flange for actuator

Connection: NPT female/female thread

Flow: Full

Material: Aisi 316L (1.4404)

Measure: From 1/4" to 4"

Seals: virgin P.T.F.E.

Operating temperature: -20°C+160°C

Outer finish: Polished

Screws for mounting actuator included

On request:

Antistatic device ATEX:

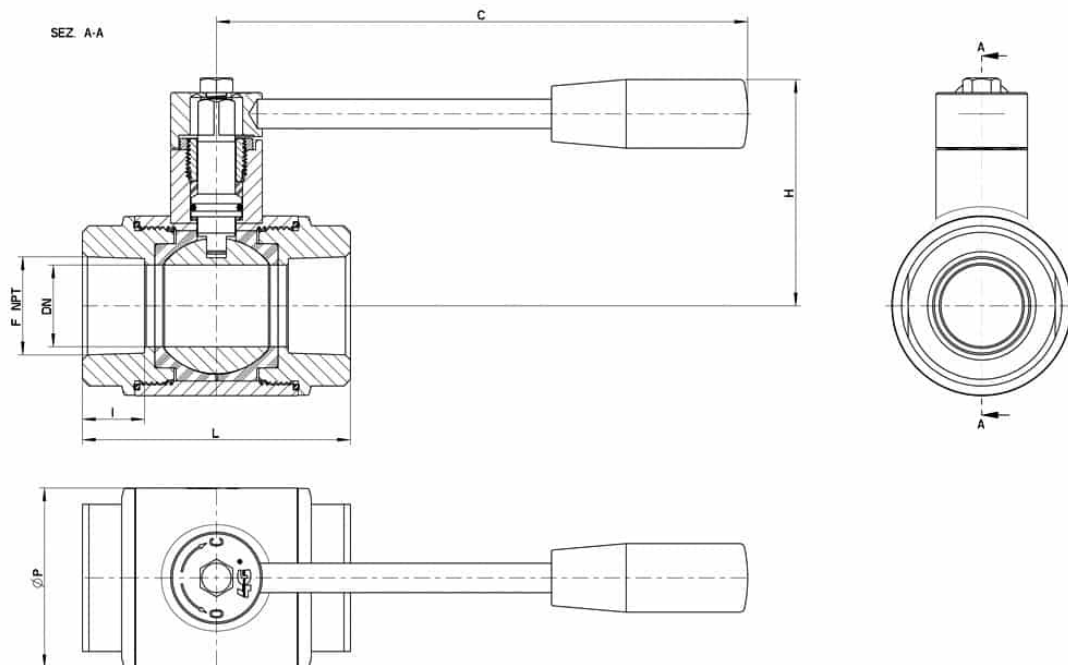
II 2G Ex h IIC T4 Gb

II 2D Ex h IIIC T135°C Db

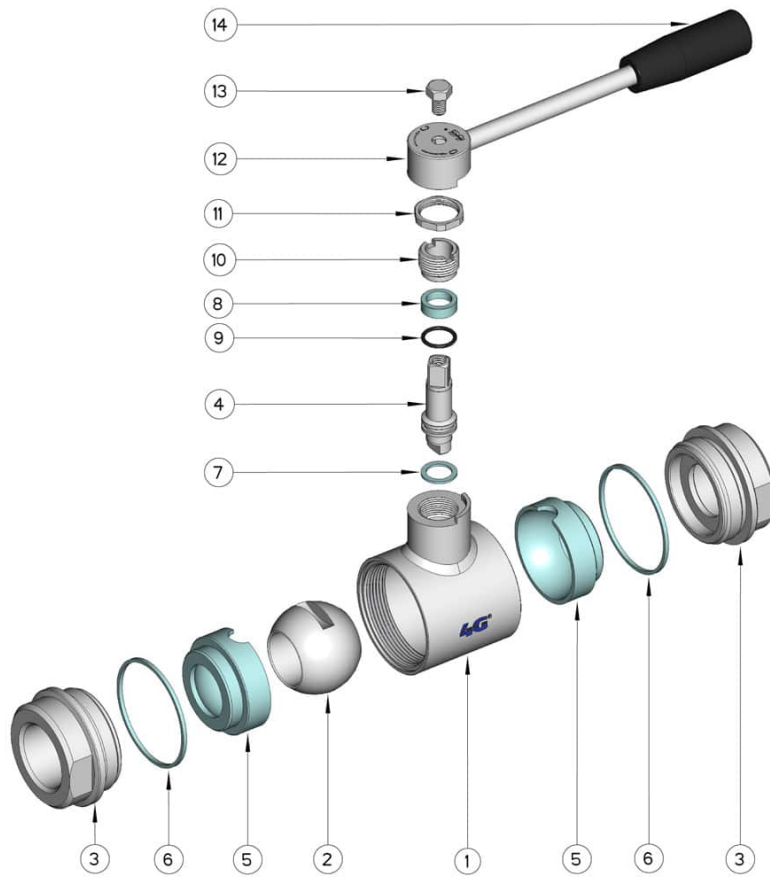
M.O.C.A. CE 1935/2004

• Seals made of:

PTFE with glass -20°C+170°C



G (NPT)	DN	L	I	C	H	ØP	PN	Kg	CODE
1/4"	9	52	13	110	55	35	100	0,40	130104 60410
3/8"	10	52	13	110	55	35	100	0,39	130104 60810
1/2"	15	62	16	110	60	42	100	0,55	130104 61410
3/4"	20	72	18	160	65	48	100	0,90	130104 62010
1"	25	82	19	160	70	55	64	1,13	130104 62610
1"1/4	32	92	20	160	75	65	64	1,48	130104 63010
1"1/2	40	104	20	190	85	80	64	2,68	130104 63410
2"	50	116	20	190	95	95	40	3,88	130104 63810
2"1/2	65	128	26	220	115	113	40	5,80	130104 64410
3"	80	150	28	285	135	140	40	10,80	130104 64810
4"	100	178	30	310	150	167	25	15,90	130104 65410



POS.	Denomination	PCS	MAT.
1	Body	1	AISI 316L
2	Ball	1	AISI 316L
3	Sleeves	2	AISI 316L
4	Stem	1	AISI 316L
5	Ball Seals	2	PTFE
6	Sleeve Seals	2	PTFE
7	Stem Seal	1	PTFE
8	Stem Seal	1	PTFE
9	Stem or-Seal	1	FKM
10	Register ring	1	AISI 304L (303)
11	Nut	1	AISI 304L
12	Washer	1	AISI 304L
13	Lever	1	AISI 304L
14	Handle	1	Resin

