

123030 FOR BS PIPE



TWO-way ball valve

Drive: ISO 5211 - DIN 3337 flange for actuator

Connection: **CLAMP normative DIN 32676 TAB.4 REIHE C**
According to normative BS/OD (ASTM A270) for TUBE

Flow: Full

Material: Aisi 316L (1.4404)

Measure: from 1" to 2"1/2

Seals: Modified Virgin P.T.F.E.

Operating temperature: -20°C+170°C

Outer finish: Polished

Screws for mounting actuator included

On request:

Antistatic device ATEX:

II 2G Ex h IIC T4 Gb

II 2D Ex h IIIC T135°C Db

M.O.C.A. CE 1935/2004

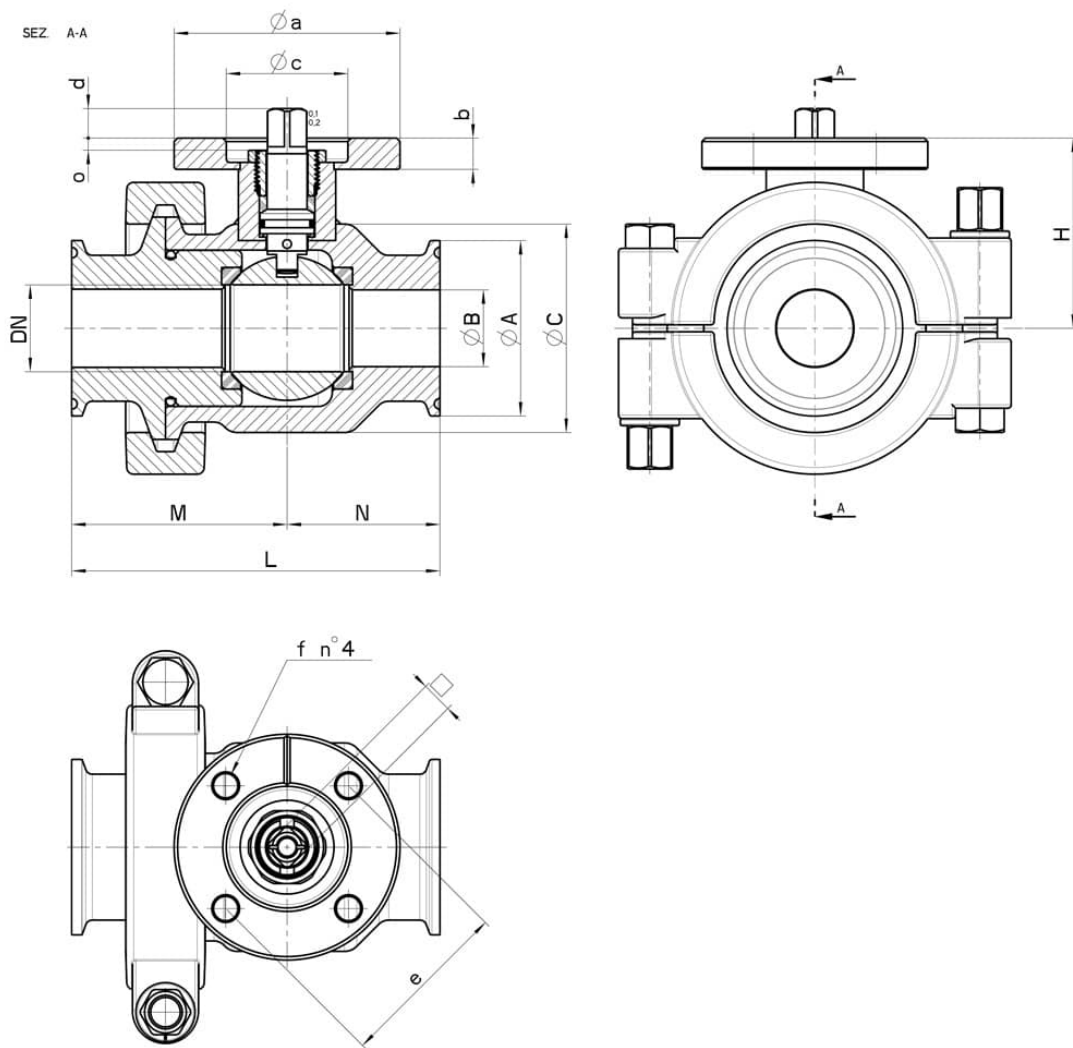
• Seals made of:

PTFE with glass -20°C+170°C

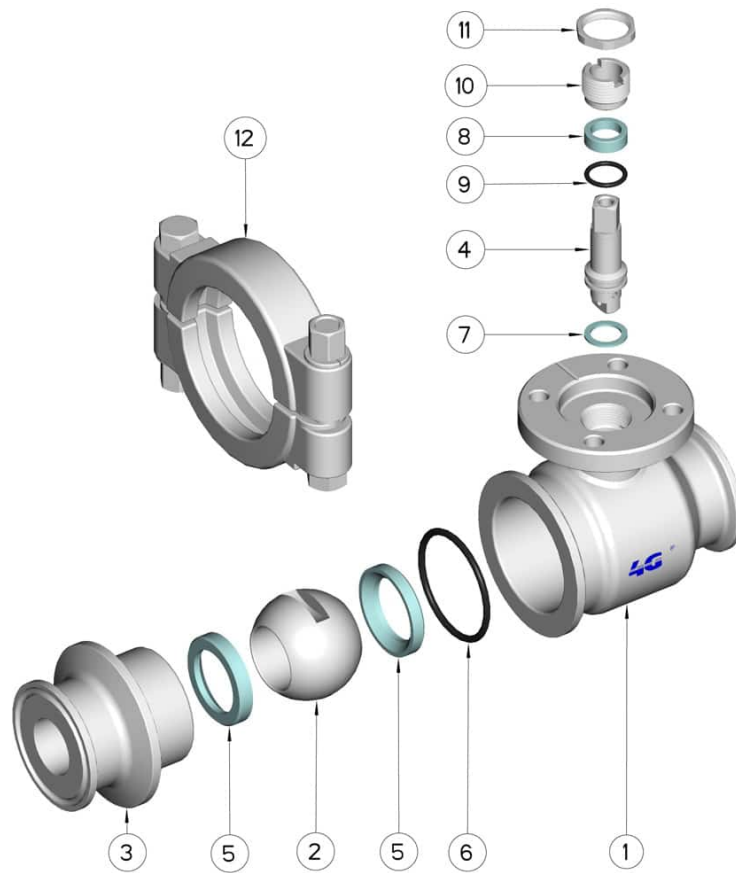
PTFE with carbographite -20°C+180°C

PTFE with inox -20°C+200°C

UHMW High-molecular weight polyethylene -20°C+80°C



CLAMP SERIE C DN/OD	DN	Ø B	L	M	N	Ø A	Ø C	H	PN	Kg	ISO-DIN	Ø a	Ø c x o	□	d	e	f	Bolts	nm	CODE AISI 316L
1"	25	22,2	106	58	44	50,5	60	55	40	-	F.04	54	30x3	11	10	42	6	M5x16	22	123030 62610
1"	25	22,2	102	58	44	50,5	60	55	40	-	F.05	65	35x3	14	13	50	7	M6x16	22	123030 6261F
1 1/2"	40	34,8	126	70	56	50,5	80	79,5	25	3,32	F.05	65	35x4	14	13	50	7	M6x20	32	123030 63410
2"	50	47,4	136	77	59	64	95	87	25	-	F.05	65	35x4	14	13	50	7	M6x20	37	123030 63810
2 1/2"	65								25		F.07			17						123030 644810



POS.	Denomination	PCS	MAT.
1	Body	1	AISI 316L
2	Ball	1	AISI 316L
3	Sleeve	1	AISI 316L
4	Stem	1	AISI 316L
5	Ball Seals	2	PTFE
6	OR manicotto	1	Silicone
7	Stem Seal	1	PTFE
8	Stem Seal	1	PTFE
9	Stem or-Seal	1	FKM
10	Register ring	1	AISI 304L (303)
11	Locknut	1	AISI 303
12	Clamp climp	1	AISI 304L

