

## 120230 FOR BS PIPE



TWO-way ball valve

Drive: Inox lever

Connection: **CLAMP normative DIN 32676 TAB.4 REIHE C**  
**According to normative BS/OD (ASTM A270) for TUBE**

Flow: Full

Material: Aisi 316L (1.4404)

Measure: from 1" to 2"1/2

Seals: Modified Virgin P.T.F.E.

Operating temperature: -20°C+170°C

Outer finish: Polished

On request:

Antistatic device ATEX:

II 2G Ex h IIC T4 Gb

II 2D Ex h IIIC T135°C Db

M.O.C.A. CE 1935/2004

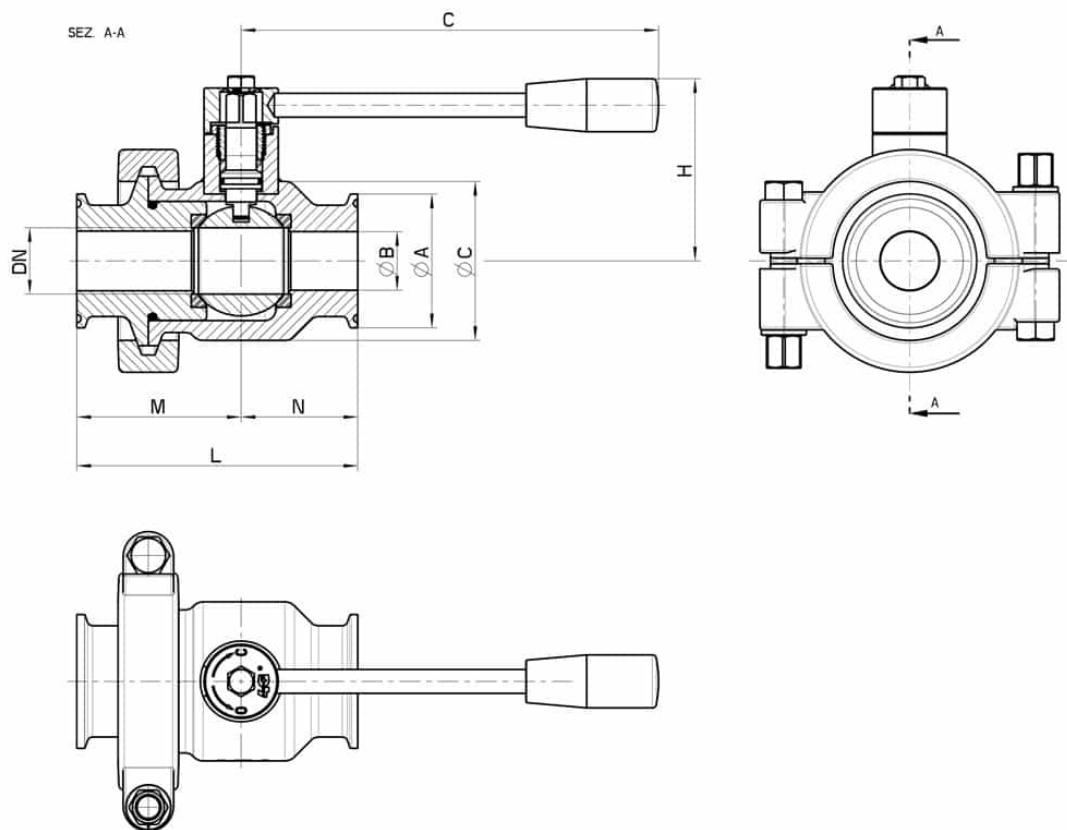
• Seals made of:

PTFE with glass -20°C+170°C

PTFE with carbographite -20°C+180°C

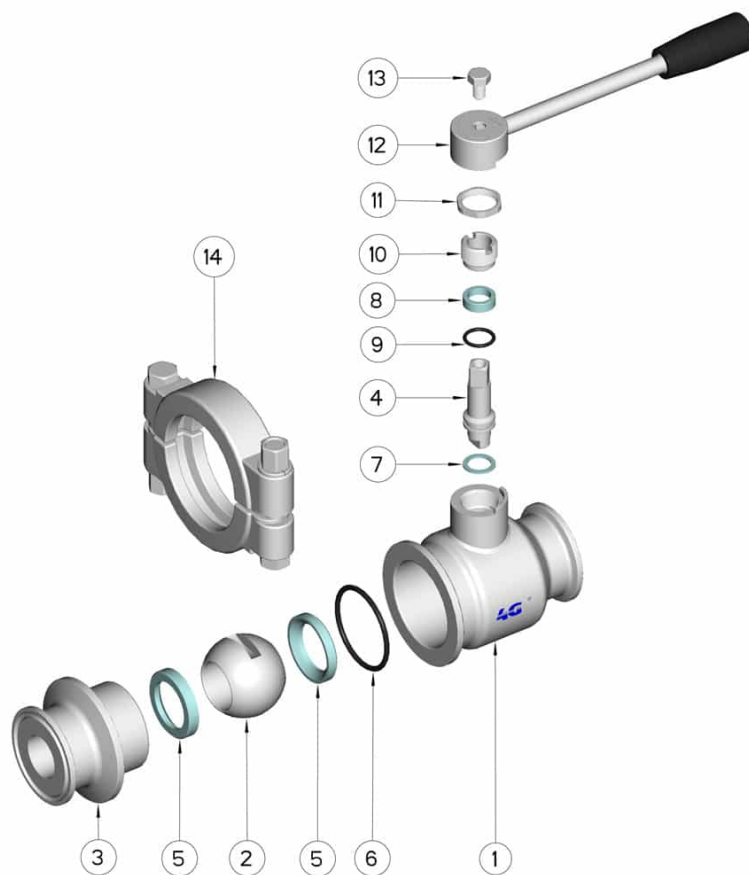
PTFE with inox -20°C+200°C

UHMW High-molecular weight polyethylene -20°C+80°C



---

CLAMP SERIE C DN/OD	DN	Ø B	L	M	N	Ø A	Ø C	C	H	PN	Kg	CODE AISI 316L
1"	25	22,5	106	58	44	50,5	60	160	80	40	2,40	120230 62610
1"1/2	40	34,8	126	70	56	50,5	80	180	92	25	3,48	120230 63410
2"	50	47,4	136	77	59	64	95	180	100	25	4,72	120230 63810
2"1/2	65	0	0	0	0	0	0	0	0	25	0	120230 64410



POS.	Denomination	PCS	MAT.
1	Body	1	AISI 316L
2	Ball	1	AISI 316L
3	Sleeve	1	AISI 316L
4	Stem	1	AISI 316L
5	Ball Seals	2	PTFE
6	OR manicotto	1	Silicone
7	Stem Seal	1	PTFE
8	Stem Seal	1	PTFE
9	Stem or-Seal	1	FKM
10	Register ring	1	AISI 304L (303)
11	Locknut	1	AISI 304L
12	Lever	1	AISI 304L
13	SCREW	1	AISI 304L
14	Clamp cliimp	1	AISI 304L

