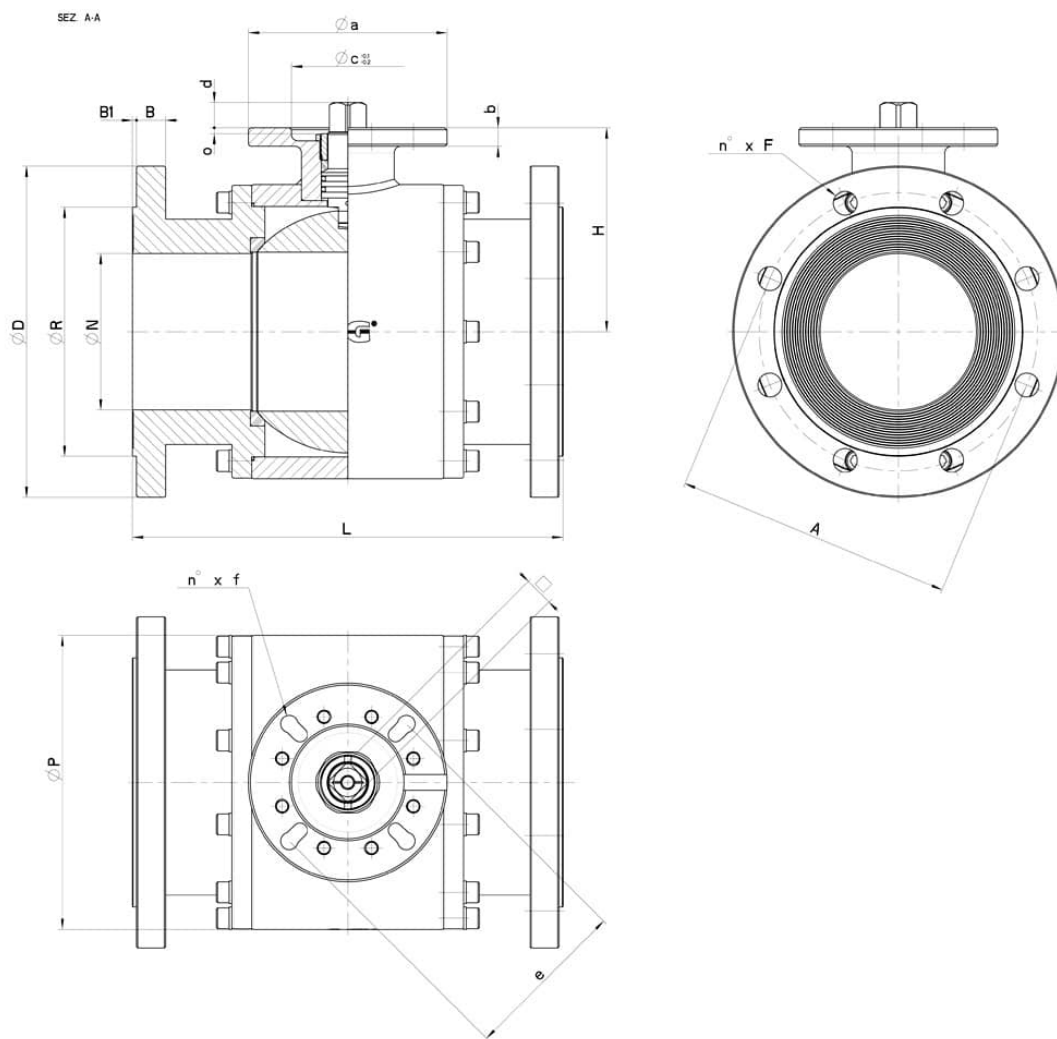


113050 DN 125 STANDARD SEALS_FLANGES UNI EN 1092-1

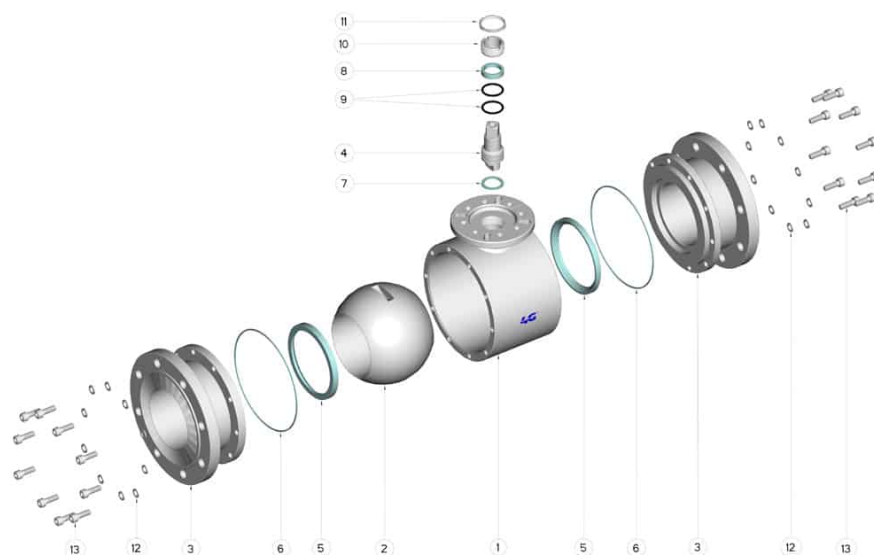


TWO-way ball valve
Drive: ISO 5211 flange for actuator
Connection: Flanges UNI EN 1092-1 PN 10-40
Flow: Full
Material: Aisi 316L (1.4404)
Measure: DN125
Seals: Virgin P.T.F.E.
Operating temperature: -20°C+160°C
Outer finish: Turned
Screws for mounting actuator included
Antistatic device ATEX:
II 2G Ex h IIC T4 Gb
II 2D Ex h IIC T135°C Db

On request:
M.O.C.A. CE 1935/2004



DN	Ø N	L	H	Ø P	Ø D	B / B1	Ø R	A	n° x F	PN	Kg	ISO-DIN	Ø a	b	Ø c x o	□	d	e	f	n° x f	Nm	CODE AISI 304L	CODE AISI 316L
125	120	325	154	222	250	22 / 3	188	210	Ø 8 x 18	16	56,82	F.10 F.12	150	14	85 x 3	22 27	19	102 125	Ø 11 Ø 13	M10 x 25 M12 x 30	130	113050A45810	113050A65810



POS.	Denomination	PCS	MAT.
1	Body	1	AISI 316L
2	Ball	1	AISI 316L
3	Sleeves	2	AISI 316L
4	Stem	1	AISI 316L
5	Ball Seals	2	PTFE
6	Sleeve Seals	2	PTFE
7	Stem Seal	1	PTFE
8	Stem Seal	1	PTFE
9	Stem or-Seal	2	FKM
10	Register ring	1	AISI 304L (303)
11	Nut	1	AISI 304L
12	Sleeve washer	20	AISI 304L
13	Sleeve screw	20	AISI 304L

