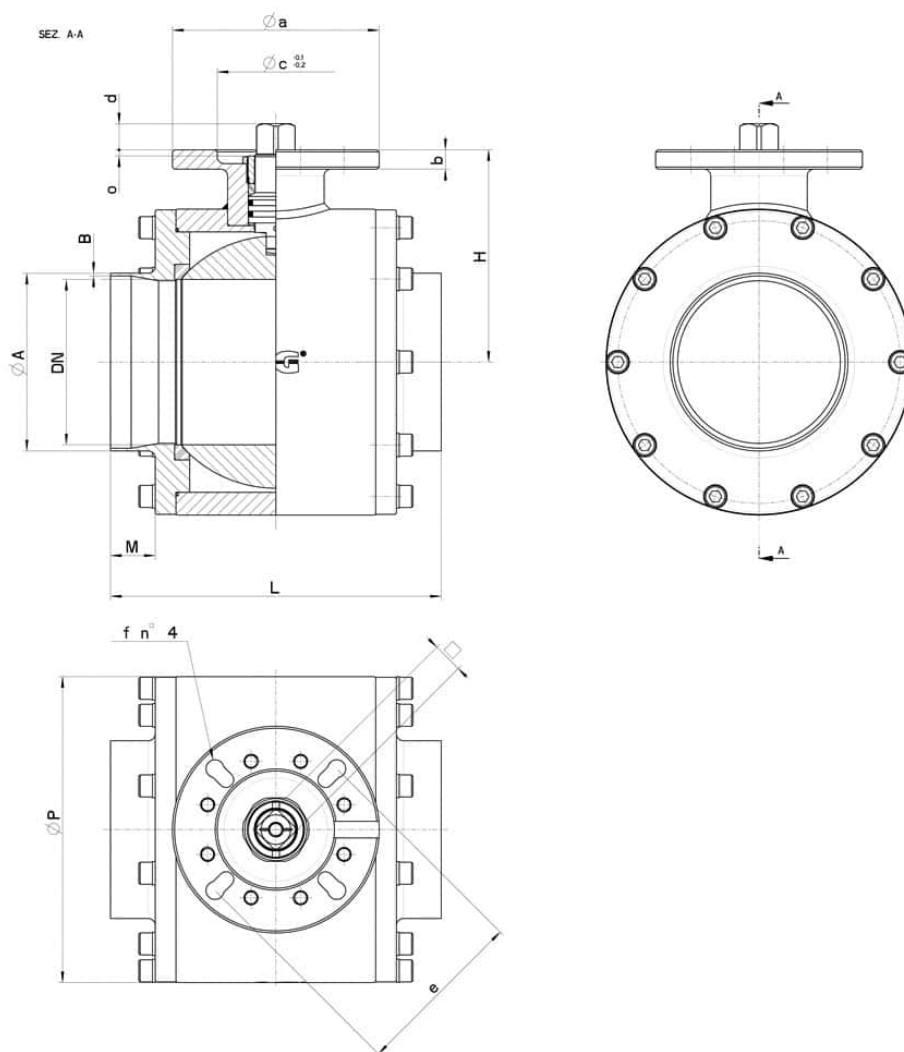


## 113042\_STANDARD SEALS\_BUTT-WELDING IN ACCORDING TO DIN 11850

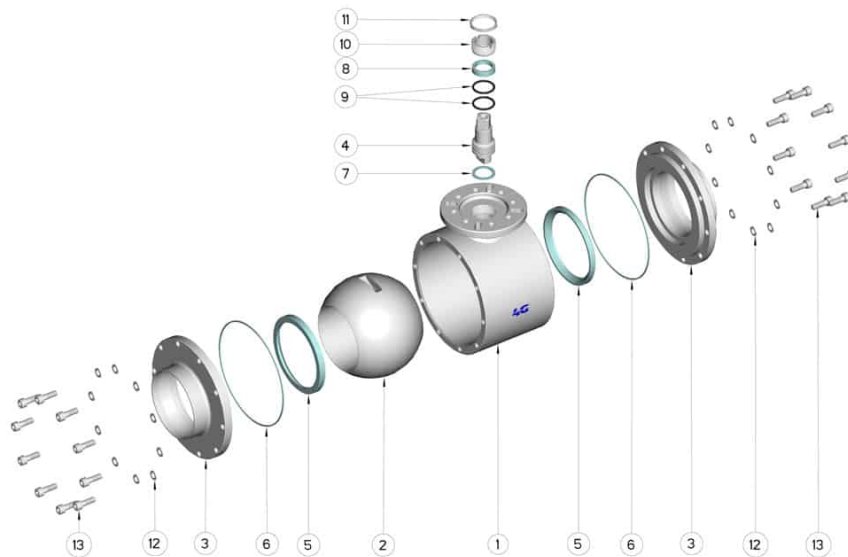


TWO-way ball valve  
Drive: ISO 5211 - DIN 3337 flange for actuator  
Connection: Butt-welding in according to DIN 11850  
Flow: Full  
Material: Aisi 316L (1.4404)  
Measure: DN120  
Seals: Virgin P.T.F.E.  
Operating temperature: -20°C+160°C  
Outer finish: Polished  
Screws for mounting actuator included  
Antistatic device ATEX:  
II 2G Ex h IIC T4 Gb  
II 2D Ex h IIC T135°C Db

On request:  
M.O.C.A. CE 1935/2004



DN	L	Ø A x B	M	H	Ø P	PN	KG	ISO-DIN	Ø a	b	Ø c x o	□	d	e	f	n4 viti / bolts	Nm	COD. AISI 316L
120	240	129 x 2	32,5	154	222	16	34,8	F.10 / F.12	150	14	85 x 3	22 / 27	19	102 / 125	11 / 13	M10x30 / M12x30	130	113042A6Y910



POS.	Denom.	PCS	MAT.
1	Body	1	AISI 304L - 316L
2	Ball	1	AISI 304L - 316L
3	Sleeves	2	AISI 304L - 316L
4	Stem	1	AISI 304L - 316L
5	Ball Seals	2	PTFE
6	Sleeve Seals	2	PTFE
7	Stem Seal	1	PTFE
8	Stem Seal	1	PTFE
9	Stem or-Seal	2	FKM
10	Register ring	1	AISI 304L (303)
11	Nut	1	AISI 304L
12	Sleeve washer	10	AISI 304L
13	Sleeve screw	10	AISI 304L

