

113025 STANDARD SEALS - F DIN 11851



TWO-way ball valve

Drive: ISO 5211 - DIN 3337 flange for actuator

Connection: DIN 11851 female/female

Flow: Full

Material: Aisi 304L (1.4307) - Aisi 316L (1.4404)

Measure: 5"

Seals: Modified Virgin P.T.F.E.

Operating temperature: -20°C+170°C

Outer finish: Turned

Screws for mounting actuator included

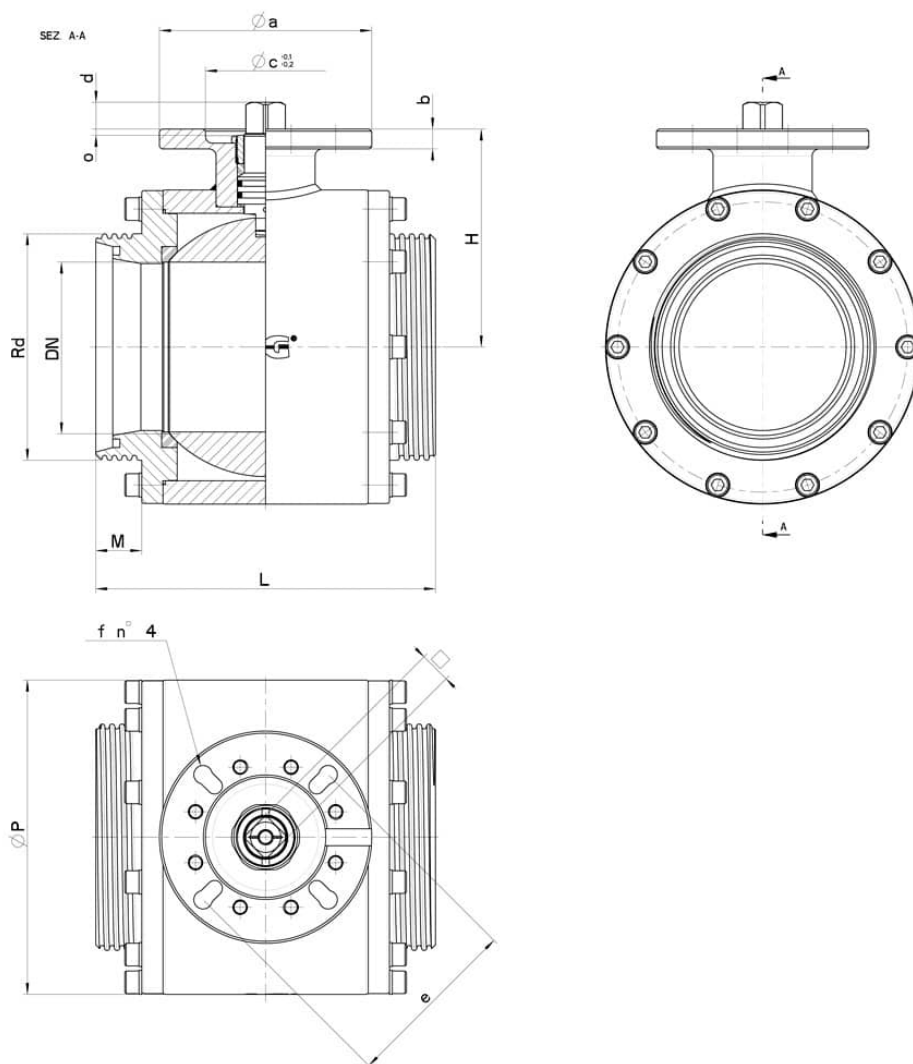
Antistatic device ATEX:

II 2G Ex h IIC T4 Gb

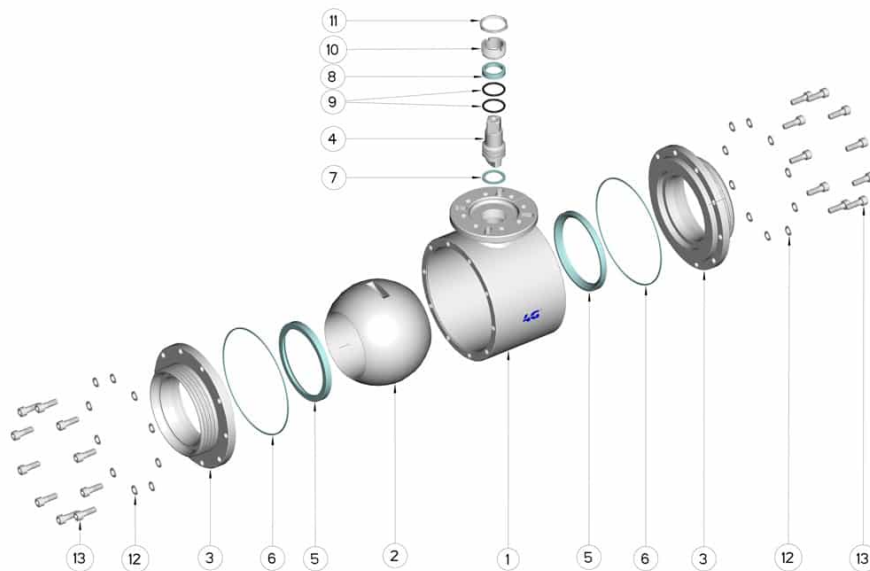
II 2D Ex h IIC T135°C Db

On request:

M.O.C.A. CE 1935/2004



DIN	DN	Rd	L	M	H	Ø P	PN	Kg	ISO-DIN	Ø a	b	Ø c x o	□	d	e	f	Bolts	Nm *	CODE AISI 316L
125	120	160 x 1/4"	240	32,5	154	222	16	36,66	F.10-F.12	150	14	Ø5 x 3	22-27	19	102-125	11-13	M10x25-M12x30	130	113025A65810



POS.	Denomination	PCS	MAT.
1	Body	1	AISI 304L - 316L
2	Ball	1	AISI 304L - 316L
3	Sleeves	2	AISI 304L - 316L
4	Stem	1	AISI 304L - 316L
5	Ball Seals	2	PTFE Vergine Modificato
6	Sleeve Seals	2	PTFE
7	Stem Seal	1	PTFE
8	Stem Seal	1	PTFE
9	Stem or-Seal	2	FKM
10	Register ring	1	AISI 304L (303)
11	Locknut	1	AISI 304L
12	Sleeve washer	20	AISI 304L
13	Sleeve screw	20	AISI 304L

