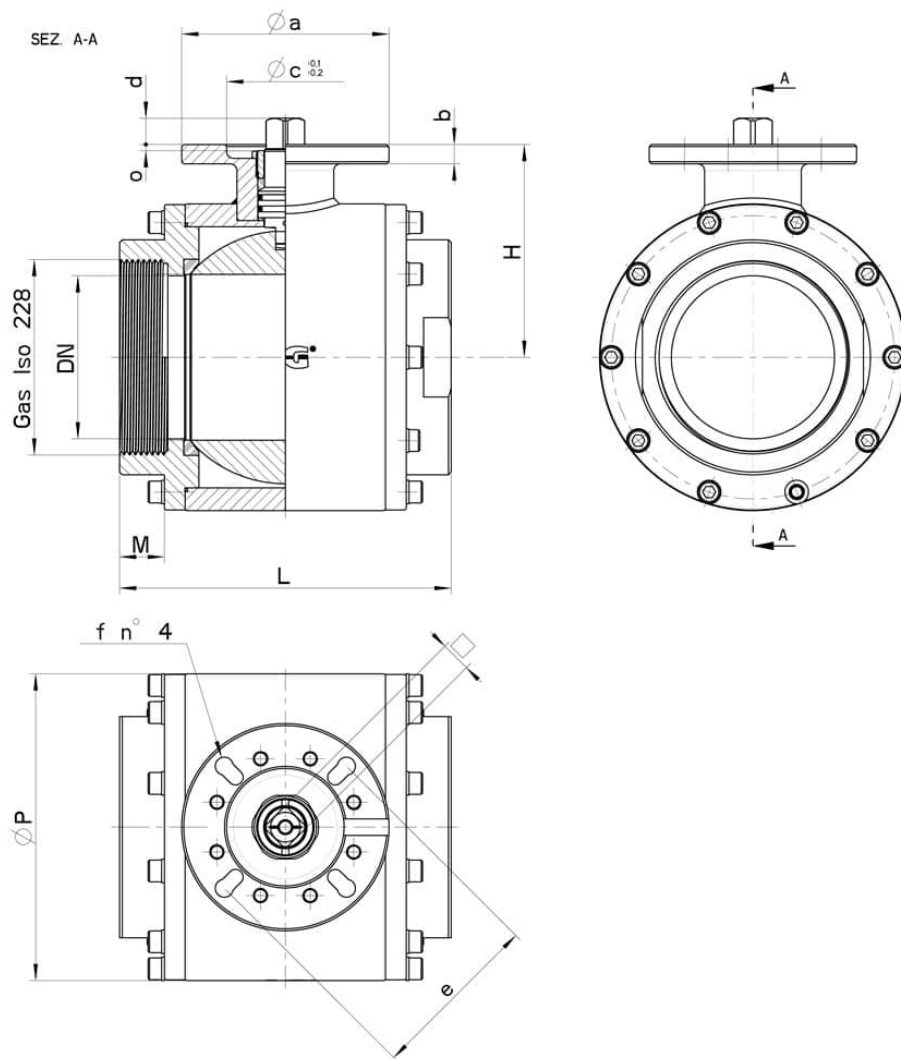


113001 STANDARD SEALS - ISO 228 F

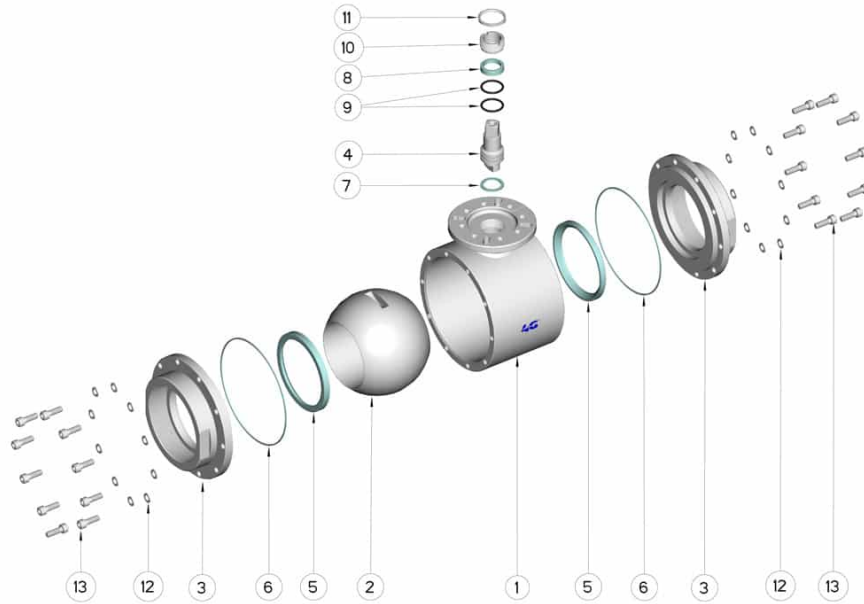


TWO-way ball valve
Drive: ISO 5211 - DIN 3337 flange for actuator
Connection: ISO 228 female/female thread
Flow: Full
Material: Aisi 304L (1.4307) - Aisi 316L (1.4404)
Measure: 5"
Seals: Virgin P.T.F.E.
Operating temperature: -20°C+160°C
Outer finish: Turned
Screws for mounting actuator included
Antistatic device ATEX:
II 2G Ex h IIC T4 Gb
II 2D Ex h IIIC T135°C Db

On request:
M.O.C.A. CE 1935/2004



G (ISO 228)	DN	L	M	H	ØP	PN	Kg	ISO-DIN	Ø a	b	Ø c x o	□	d	e	f	Bolts	Nm	CODE AISI 316L
5"	120	240	35	154	222	16	37,80	F.10 - F.12	150	14	85 x 3	22-27	19	102-125	11-13	M10x25-M12x30	130	113001A65810



POS.	Denomination	PCS	MAT.
1	Body	1	AISI 316L
2	Ball	1	AISI 316L
3	Sleeves	2	AISI 316L
4	Stem	1	AISI 316L
5	Ball Seals	2	PTFE
6	Sleeve Seals	2	PTFE
7	Stem Seal	1	PTFE
8	Stem Seal	1	PTFE
9	Stem or-Seal	2	FKM
10	Register ring	1	AISI 304L (303)
11	Nut	1	AISI 304L
12	Sleeve washer	20	AISI 304L
13	Sleeve screw	20	AISI 304L

