

103069 ASEPTIK NORMATIVE DIN 11864-3 REIHE A_BKS FORM A MALE



TWO-way ball valve

Drive: ISO 5211 - DIN 3337 flange for actuator

Connection: **ASEPTIK normative DIN 11864-3 REIHE A, BKS Form A.**
For TUBE according to normative DIN 11866-A (DIN 11850 REIHE 2)

Flow: Full and reduced

Material: Aisi 316L (1.4404)

Measure: from DN10 to DN100

Seals: Modified Virgin P.T.F.E.

Operating temperature: -20°C +170°C

Outer finish: Polished

On request:

Antistatic device ATEX:

II 2G Ex h IIC T4 Gb

II 2D Ex h IIIC T135°C Db

M.O.C.A. CE 1935/2004

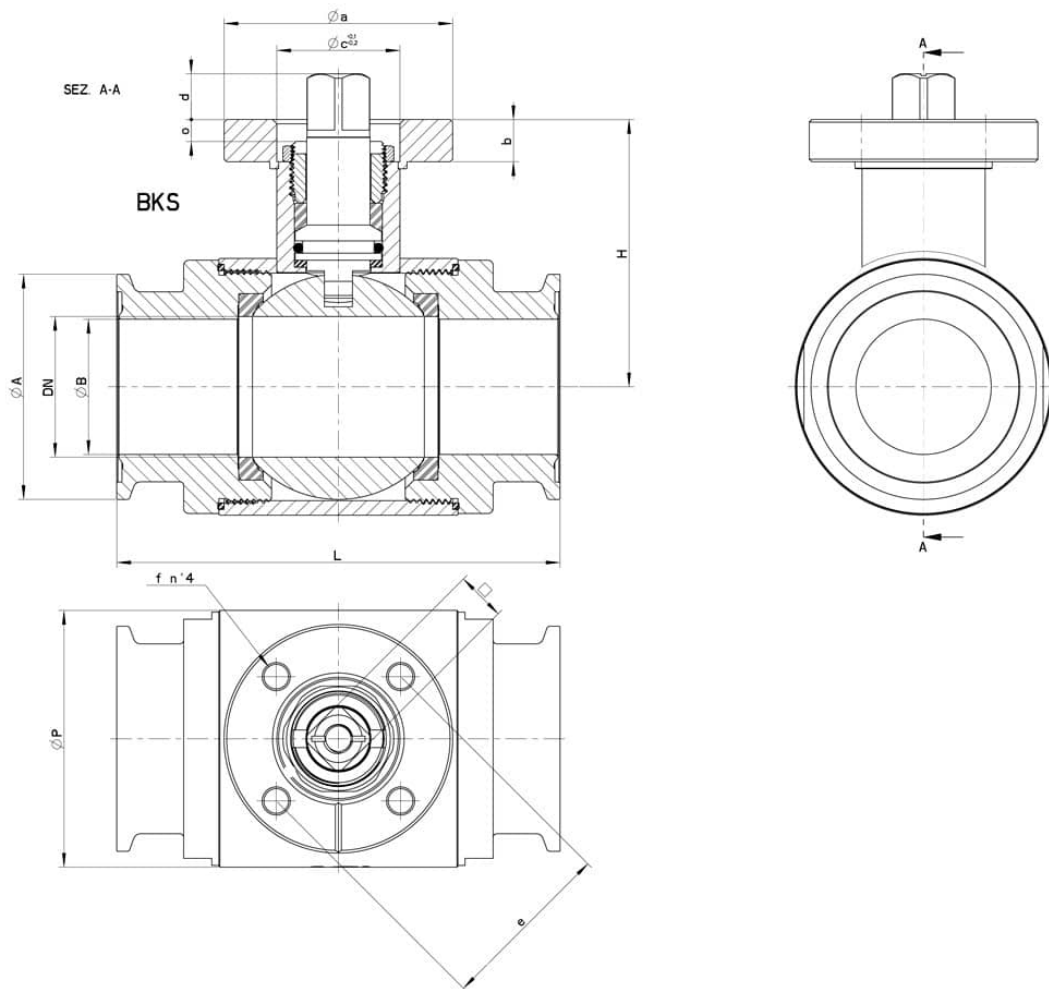
• Seals made of:

PTFE with glass -20°C+170°C

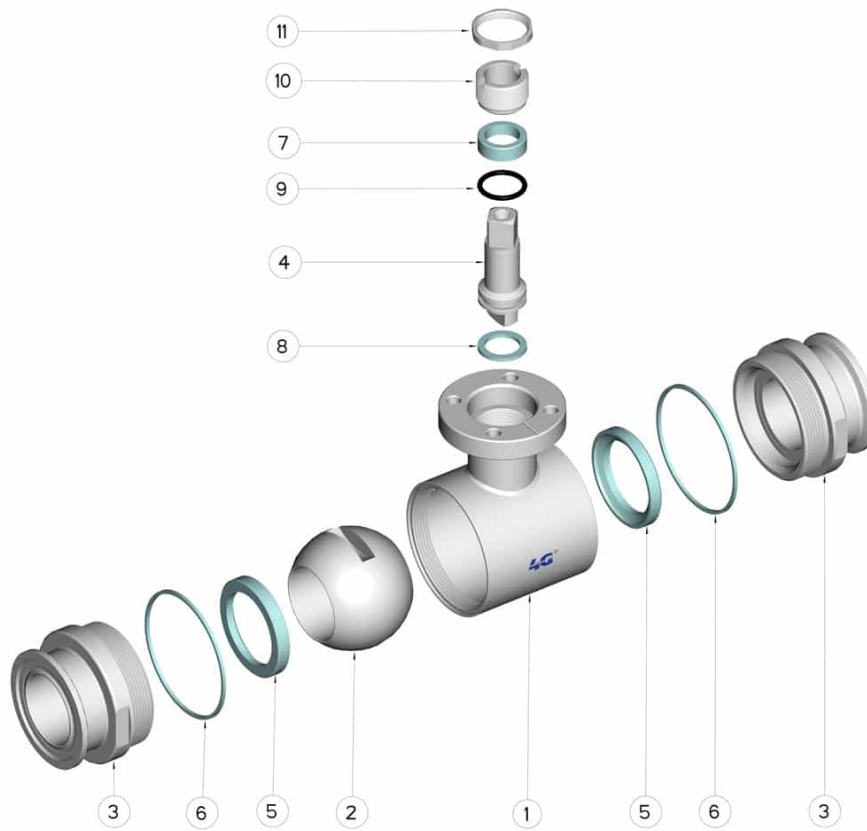
PTFE with carbographite -20°C+180°C

PTFE with inox -20°C+200°C

UHMW High-molecular weight polyethylene -20°C+80°C



| DN | BKS - Form A | L | Ø A | Ø B | H | Ø P | PN | ISO-DIN | Ø a | b | Ø c x o | □ | d | e | f | n° 4 Bolts | Nm | Kg | CODE AISI 316L |
|-----|--------------|-----|------|-----|------|-----|-----|---------|-----|----|---------|----|----|-----|----|------------|----|----|----------------|
| 10 | Ø 34 | 88 | 34 | 10 | 39 | 30 | 100 | F.03 | 46 | 9 | 25x3 | 9 | 8 | 36 | 6 | M5x16 | 5 | - | 103069 61410 |
| 10 | Ø 34 | 88 | 34 | 10 | 39 | 30 | 100 | F.04 | 54 | 9 | 30x3 | 11 | 10 | 42 | 6 | M5x16 | 5 | - | 103069 6141F |
| 15 | Ø 34 | 92 | 34 | 16 | 41,5 | 35 | 100 | F.03 | 46 | 9 | 25x3 | 9 | 8 | 36 | 6 | M5x16 | 8 | - | 103069 61910 |
| 15 | Ø 34 | 92 | 34 | 16 | 41,5 | 35 | 100 | F.04 | 54 | 9 | 30x3 | 11 | 10 | 42 | 6 | M5x16 | 8 | - | 103069 6191F |
| 20 | Ø 50,5 | 102 | 50,5 | 20 | 45 | 42 | 100 | F.03 | 46 | 9 | 25x3 | 9 | 8 | 36 | 6 | M5x16 | 12 | - | 103069 62010 |
| 20 | Ø 50,5 | 102 | 50,5 | 20 | 45 | 42 | 100 | F.04 | 54 | 9 | 30x3 | 11 | 10 | 42 | 6 | M5x16 | 12 | - | 103069 6201F |
| 25 | Ø 50,4 | 106 | 50,5 | 26 | 51,5 | 52 | 64 | F.04 | 54 | 9 | 30x3 | 11 | 10 | 42 | 6 | M5x16 | 15 | - | 103069 62810 |
| 25 | Ø 50,4 | 106 | 50,5 | 26 | 51,5 | 52 | 64 | F.05 | 65 | 9 | 35x3 | 14 | 13 | 50 | 7 | M6x16 | 15 | - | 103069 6281F |
| 32 | Ø 50,4 | 112 | 50,5 | 32 | 56,5 | 60 | 64 | F.04 | 54 | 9 | 30x3 | 11 | 10 | 42 | 6 | M5x16 | 18 | - | 103069 63010 |
| 32 | Ø 50,4 | 112 | 50,5 | 32 | 56,5 | 60 | 64 | F.05 | 65 | 9 | 35x3 | 14 | 13 | 50 | 7 | M6x16 | 18 | - | 103069 6301F |
| 40 | Ø 64 | 126 | 64 | 38 | 76 | 73 | 64 | F.05 | 65 | 12 | 35x4 | 14 | 13 | 50 | 7 | M6x20 | 25 | - | 103069 63510 |
| 40 | Ø 64 | 126 | 64 | 38 | 76 | 73 | 64 | F.07 | 90 | 12 | 55x4 | 17 | 15 | 70 | 9 | M8x20 | 25 | - | 103069 6351F |
| 50 | Ø 77,5 | 136 | 77,5 | 50 | 84 | 88 | 40 | F.05 | 65 | 12 | 35x4 | 14 | 13 | 50 | 7 | M6x20 | 30 | - | 103069 64010 |
| 50 | Ø 77,5 | 136 | 77,5 | 50 | 84 | 88 | 40 | F.07 | 90 | 12 | 55x4 | 17 | 15 | 70 | 9 | M8x20 | 30 | - | 103069 6401F |
| 65 | Ø 91 | 154 | 91 | 66 | 94,5 | 113 | 40 | F.07 | 90 | 12 | 55x4 | 17 | 15 | 70 | 9 | M8x20 | 45 | - | 103069 64610 |
| 65 | Ø 91 | 154 | 91 | 66 | 94,5 | 113 | 40 | F.10 | 125 | 12 | 70x4 | 22 | 18 | 102 | 11 | M10x25 | 45 | - | 103069 6461F |
| 80 | Ø 106 | 184 | 106 | 81 | 106 | 135 | 40 | F.07 | 90 | 12 | 55x4 | 17 | 15 | 70 | 9 | M8x20 | 70 | - | 103069 64910 |
| 80 | Ø 106 | 184 | 106 | 81 | 106 | 135 | 40 | F.10 | 125 | 12 | 70x4 | 22 | 18 | 102 | 11 | M10x25 | 70 | - | 103069 6491F |
| 100 | Ø 130 | 190 | 130 | 100 | 120 | 167 | 25 | F.07 | 90 | 12 | 55x4 | 17 | 15 | 70 | 9 | M8x20 | 80 | - | 103069 65610 |
| 100 | Ø 130 | 190 | 130 | 100 | 120 | 167 | 25 | F.10 | 125 | 12 | 70x4 | 22 | 18 | 102 | 11 | M10x25 | 80 | - | 103069 6561F |



| Position | Denomination | PEZZI | MATERIAL |
|----------|---------------|-------|-------------------------|
| 1 | Body | 1 | AISI 316L |
| 2 | Ball | 1 | AISI 316L |
| 3 | Sleeves | 2 | AISI 316L |
| 4 | Stem | 1 | AISI 316L |
| 5 | Ball Seals | 2 | PTFE Vergine Modificato |
| 6 | Sleeve Seals | 2 | PTFE |
| 7 | Stem Seal | 1 | PTFE |
| 8 | Stem Seal | 1 | PTFE |
| 9 | Stem or-Seal | 1 | FKM |
| 10 | Register ring | 1 | AISI 304L (303) |
| 11 | Locknut | 1 | AISI 303 |

