

103068 ASEPTIK NORMATIVE DIN 11864-3 REIHE A_BKS + NKS FORM A FEMALE/MALE



TWO-way ball valve

Drive: ISO 5211 - DIN 3337 flange for actuator

Connection: **ASEPTIK normative DIN 11864-3 REIHE A, BKS + NKS Form A.
For TUBE according to normative DIN 11866-A (DIN 11850 REIHE 2)**

Flow: Full and reduced

Material: Aisi 316L (1.4404)

Measure: from DN10 to DN100

Seals: Modified Virgin P.T.F.E.

Operating temperature: -20°C+170°C

Outer finish: Polished

On request:

Antistatic device ATEX:

II 2G Ex h IIC T4 Gb

II 2D Ex h IIIC T135°C Db

M.O.C.A. CE 1935/2004

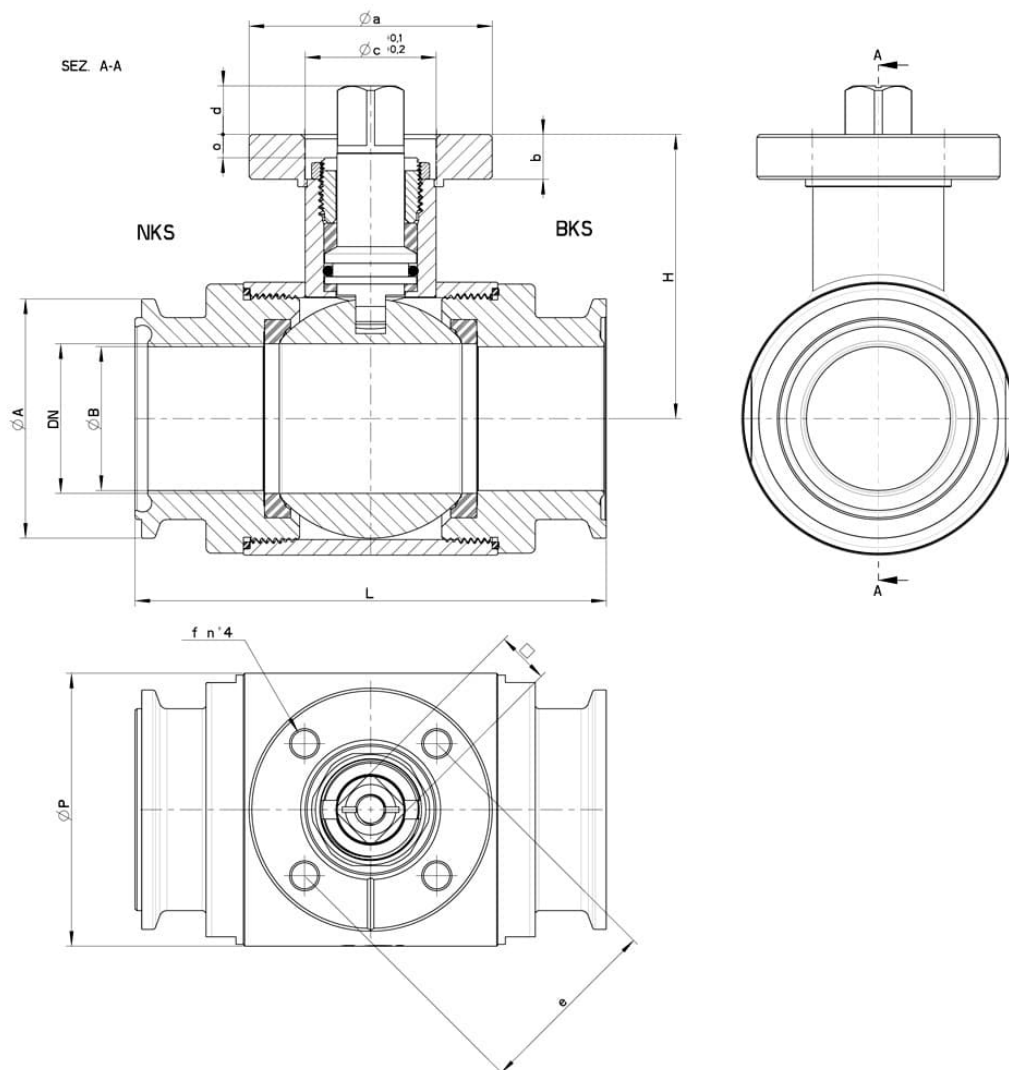
• Seals made of:

PTFE with glass -20°C+170°C

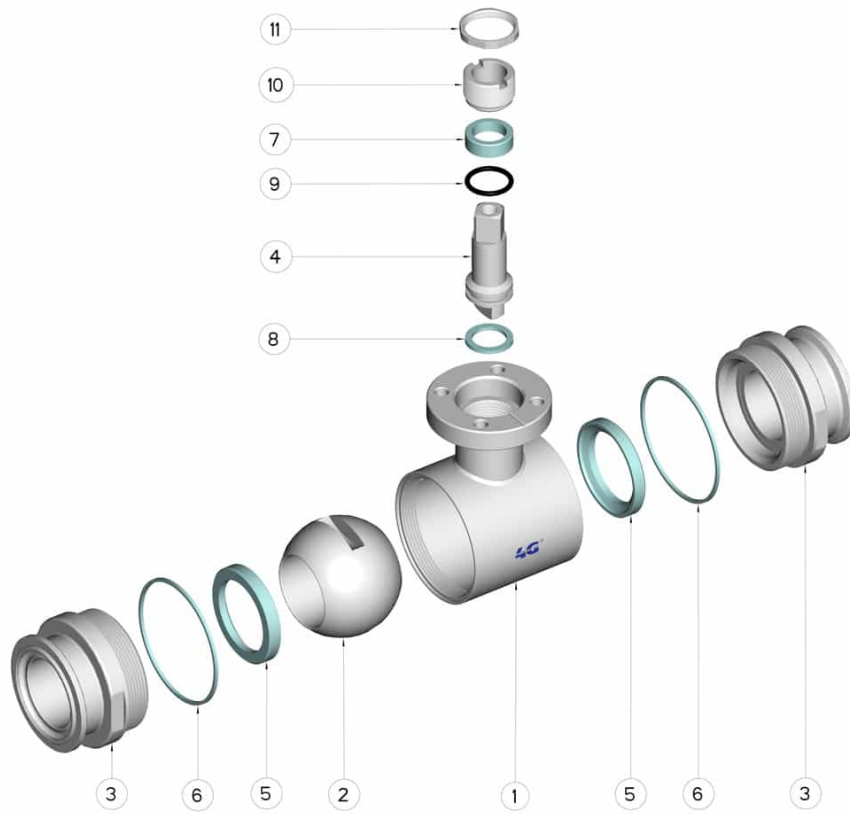
PTFE with carbographite -20°C+180°C

PTFE with inox -20°C+200°C

UHMW High-molecular weight polyethylene -20°C+80°C



DN	BKS + NKS - Form A	L	Ø A	Ø B	H	Ø P	PN	ISO-DIN	Ø a	b	Ø c x o	□	d	e	f	n° 4 Bolts	Nm	Kg	CODE AISI 316L
10	Ø 34	88	34	10	39	30	100	F.03	46	9	25x3	9	8	36	6	M5x16	5	-	103068 61410
10	Ø 34	88	34	10	39	30	100	F.04	54	9	30x3	11	10	42	6	M5x16	5	-	103068 6141F
15	Ø 34	92	34	16	41,5	35	100	F.03	46	9	25x3	9	8	36	6	M5x16	8	-	103068 61910
15	Ø 34	92	34	16	41,5	35	100	F.04	54	9	30x3	11	10	42	6	M5x16	8	-	103068 6191F
20	Ø 50,5	102	50,5	20	45	42	100	F.03	46	9	25x3	9	8	36	6	M5x16	12	-	103068 62010
20	Ø 50,5	102	50,5	20	45	42	100	F.04	54	9	30x3	11	10	42	6	M5x16	12	-	103068 6201F
25	Ø 50,4	106	50,5	26	51,5	52	64	F.04	54	9	30x3	11	10	42	6	M5x16	15	-	103068 62810
25	Ø 50,4	106	50,5	26	51,5	52	64	F.05	65	9	35x3	14	13	50	7	M6x16	15	-	103068 6281F
32	Ø 50,5	112	50,5	32	56,5	60	64	F.04	54	9	30x3	11	10	42	6	M5x16	18	-	103068 63010
32	Ø 50,5	112	50,5	32	56,5	60	64	F.05	65	9	35x3	14	13	50	7	M6x16	18	-	103068 6301F
40	Ø 64	126	64	38	76	73	64	F.05	65	12	35x4	14	13	50	7	M6x20	25	-	103068 63510
40	Ø 64	126	64	38	76	73	64	F.07	90	12	55x4	17	15	70	9	M8x20	25	-	103068 6351F
50	Ø 77,5	136	77,5	50	84	88	40	F.05	65	12	35x4	14	13	50	7	M6x20	30	3,70	103068 64010
50	Ø 77,5	136	77,5	50	84	88	40	F.07	90	12	55x4	17	15	70	9	M8x20	30	-	103068 6401F
65	Ø 91	154	91	66	94,5	113	40	F.07	90	12	55x4	17	15	70	9	M8x20	45	-	103068 64610
65	Ø 91	154	91	66	94,5	113	40	F.10	125	12	70x4	22	18	102	11	M10x25	45	-	103068 6461F
80	Ø 106	184	106	81	106	135	40	F.07	90	12	55x4	17	15	70	9	M8x20	70	-	103068 64910
80	Ø 106	184	106	81	106	135	40	F.10	125	12	70x4	22	18	102	11	M10x25	70	-	103068 6491F
100	Ø 130	190	130	100	120	167	25	F.07	90	12	55x4	17	15	70	9	M8x20	80	-	103068 65610
100	Ø 130	190	130	100	120	167	25	F.10	125	12	70x4	22	18	102	11	M10x25	80	-	103068 6561F



Position	Denomination	PEZZI	MATERIAL
1	Body	1	AISI (304L) 316L
2	Ball	1	AISI (304L) 316L
3	Sleeves	2	AISI (304L) 316L
4	Stem	1	AISI (304L) 316L
5	Ball Seals	2	PTFE Vergine Modificato
6	Sleeve Seals	2	PTFE
7	Stem Seal	1	PTFE
8	Stem Seal	1	PTFE
9	Stem or-Seal	1	FKM
10	Register ring	1	AISI 304L (303)
11	Locknut	1	AISI 303

