

## 103056 STANDARD SEALS\_REVOLVING THREADED FLANGES EN 1759-1 CLASS 300



TWO-way ball valve

Drive: ISO 5211 - DIN 3337 flange for actuator

Connection: Revolving threaded flanges EN 1759-1 CLASS 300 (exANSI 300)

Flow: Full

Material: Aisi 316L (1.4404)

Measure: from 1/2" to 4"

Seals: Modified Virgin P.T.F.E.

Operating temperature: -20°C+170°C

Outer finish: Polished

Screws for mounting actuator included

On request:

Antistatic device ATEX:

II 2G Ex h IIC T4 Gb

II 2D Ex h IIIC T135°C Db

M.O.C.A. CE 1935/2004

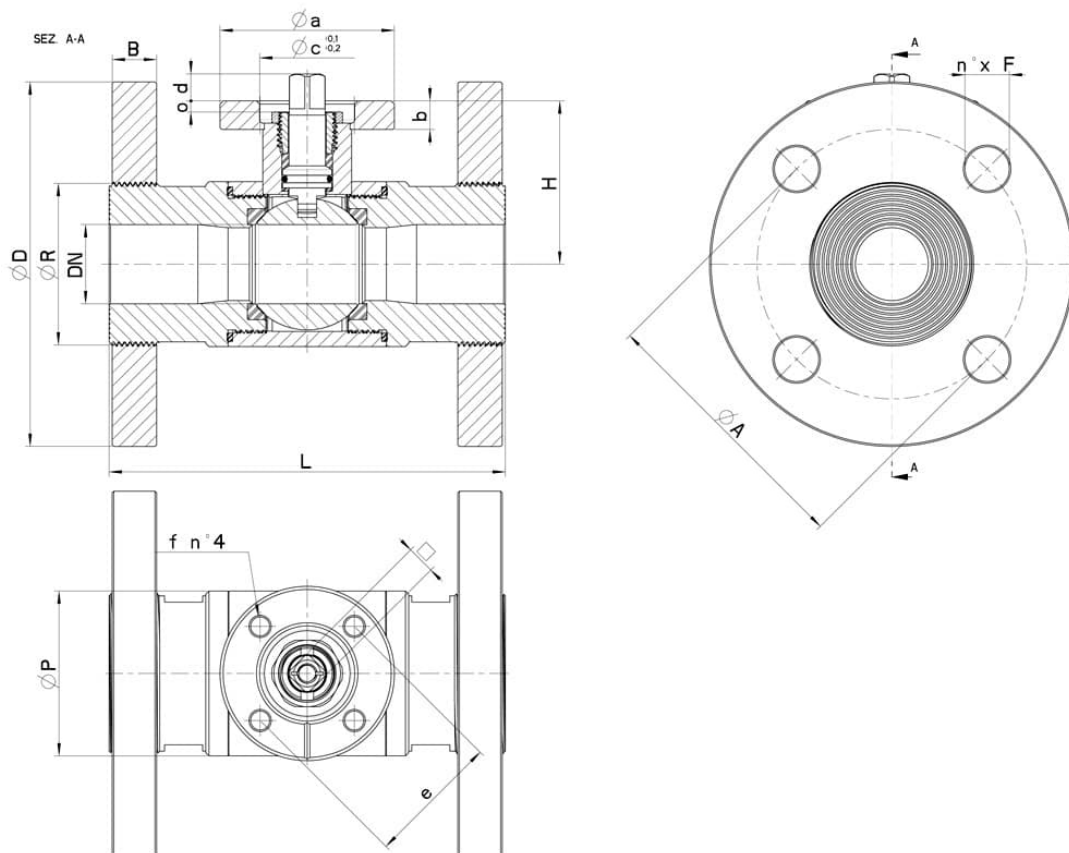
• Seals made of:

PTFE with glass -20°C+170°C

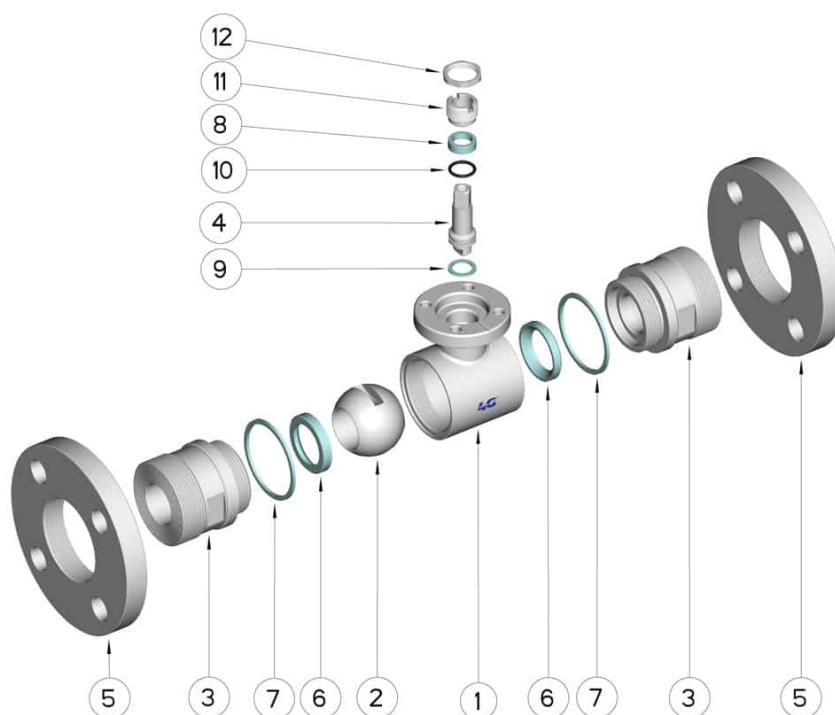
PTFE with carbographite -20°C+180°C

PTFE with inox -20°C+200°C

UHMW High-molecular weight polyethylene -20°C+80°C



ANSI 300	DN	L	H	Ø P	D	B	Ø R	A	n° x F	Kg	ISO-DIN	Ø a	b	Ø cvo	□	d	e	f	n° 4 Bolts	Nm	CODE AISI 304L	CODE AISI 316L
1/2"	15	115	41,5	35	95	12,7	35	66,7	4 x 15,9	1,80	F.03	46	9	25x3	9	8	36	6	M5x16	8	-	103056 61410
1/2"	15	115	41,5	35	95	12,7	35	66,7	4 x 15,9	1,83	F.04	54	9	30x3	11	10	42	6	M5x16	8	-	103056 6141F
3/4"	20	120	45	42	117	14,3	42	82,6	4 x 19	2,53	F.03	46	9	25x3	9	8	36	6	M5x16	12	-	103056 62010
3/4"	20	120	45	42	117	14,3	42	82,6	4 x 19	2,65	F.04	54	9	30x3	11	10	42	6	M5x16	12	-	103056 6201F
1"	25	125	51,5	52	124	15,9	51	88,9	4 x 19	3,33	F.04	54	9	30x3	11	10	42	6	M5x16	15	-	103056 62610
1"	25	125	51,5	52	124	15,9	51	88,9	4 x 19	3,45	F.05	65	9	35x3	14	13	50	7	M6x16	15	-	103056 6261F
1"1/4	32	130	56,5	60	133	17,4	63	98,4	4 x 19	4,98	F.04	54	9	30x3	11	10	42	6	M5x16	18	-	103056 63010
1"1/4	32	130	56,5	60	133	17,4	63	98,4	4 x 19	5,04	F.05	65	9	35x3	14	13	50	7	M6x16	18	-	103056 6301F
1"1/2	40	140	56,5	73	156	19	75	114,3	4 x 22,2	6,35	F.05	65	12	35x4	14	13	50	7	M6x20	25	-	103056 63410
1"1/2	40	140	76	73	156	19	75	114,3	4 x 22,2	6,52	F.07	90	12	55x4	17	15	70	9	M8x20	25	-	103056 6341F
2"	50	150	84	88	165	20,6	89	127	8 x 19	8,90	F.05	65	12	35x4	14	13	50	7	M6x20	30	-	103056 63810
2"	50	150	84	88	165	20,6	89	127	8 x 19	9,15	F.07	90	12	55x4	17	15	70	9	M8x20	30	-	103056 6381F
2"1/2	65	170	94,5	113	190	23,8	110	149,2	8 x 22,2	13,96	F.07	90	12	55x4	17	15	70	9	M8x20	45	-	103056 64410
2"1/2	65	170	94,5	113	190	23,8	110	149,2	8 x 22,2	14,46	F.10	125	12	70x4	22	18	102	11	M10x25	45	-	103056 6441F
3"	80	180	106	135	210	27	120	168,3	8 x 22,2	16,10	F.07	90	12	55x4	17	15	70	9	M8x20	70	103056 44810	103056 64810
3"	80	180	106	135	210	27	120	168,3	8 x 22,2	16,60	F.10	125	12	70x4	22	18	102	11	M10x25	70	103056 4481F	103056 6481F
4"	100	190	120	167	254	30,2	140	200	8 x 22,2	22,00	F.07	90	12	55x4	17	15	70	9	M8x20	80	103056 45410	103056 65410
4"	100	190	120	167	254	30,2	140	200	8 x 22,2	22,50	F.10	125	12	70x4	22	18	102	11	M10x25	80	103056 4541F	103056 6541F



Position	Denomination	PEZZI	MATERIAL
1	Body	1	AISI (304L) 316L
2	Ball	1	AISI (304L) 316L
3	Sleeves	2	AISI (304L) 316L
4	Stem	1	AISI (304L) 316L
5	Flanges	2	AISI (304L) 316L
6	Ball Seals	2	PTFE Vergine Modificato
7	Sleeve Seals	2	PTFE
8	Stem Seal	1	PTFE
9	Stem Seal	1	PTFE
10	Stem or-Seal	1	FKM
11	Register ring	1	AISI 304L (303)
12	Locknut	1	AISI 303

