

103050C STANDARD SEALS_REVOLVING THREADED FLANGES UNI EN 1092-1 - HEATING JACKET



TWO-way ball valve with HEATING JACKET

Drive: Inox lever

Connection: Revolving threaded flanges UNI EN 1092-1

Flow: Full and reduced

Material: Aisi 304L (1.4307) - Aisi 316L (1.4404)

Measure: from DN25 to DN125

Seals: Modified Virgin P.T.F.E.

Operating temperature: -20°C+170°C

Outer finish: Polished

On request:

Antistatic device ATEX:

II 2G Ex h IIC T4 Gb

II 2D Ex h IIIC T135°C Db

M.O.C.A. CE 1935/2004

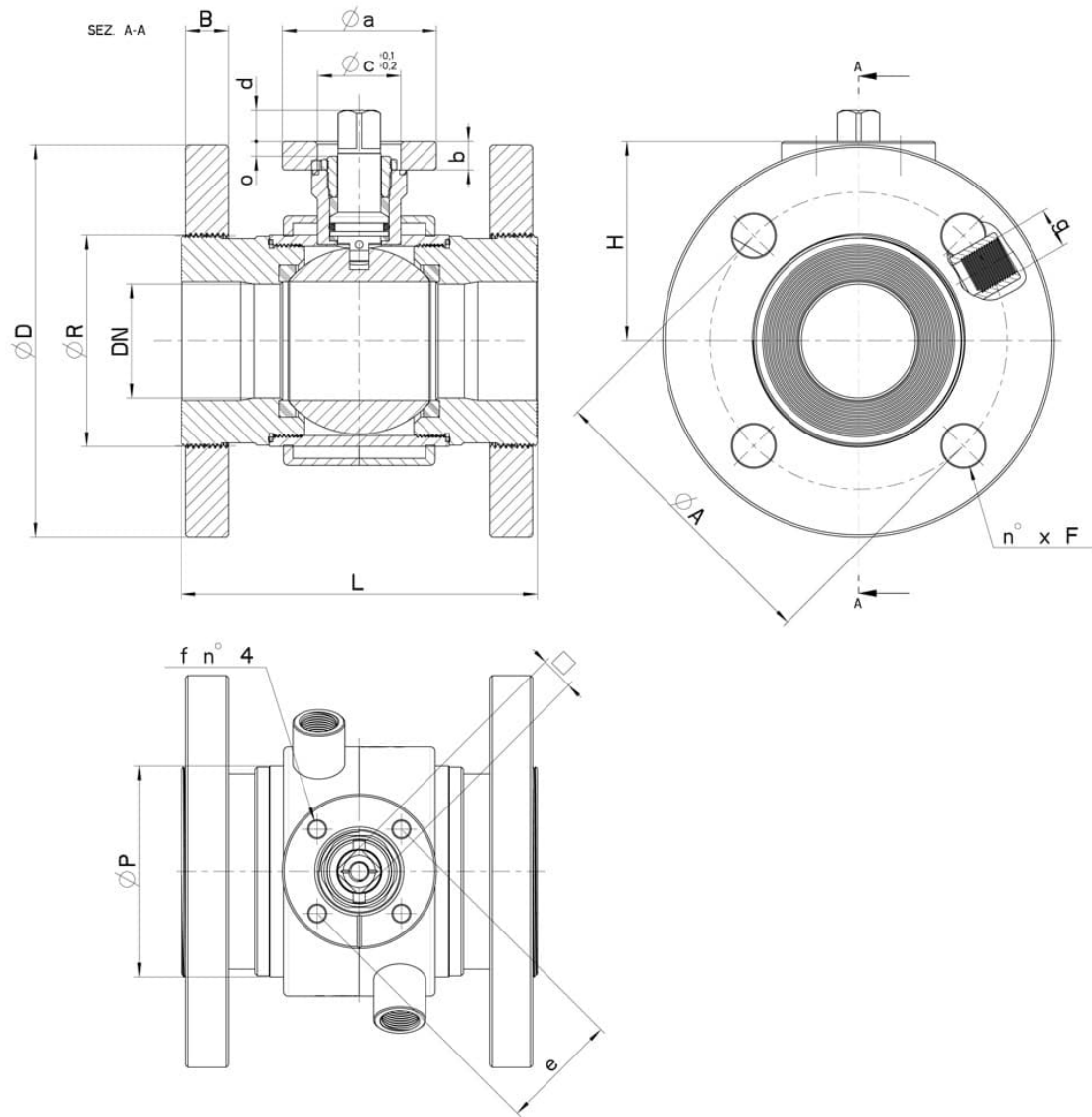
• Seals made of:

PTFE with glass -20°C+170°C

PTFE with carbographite -20°C+180°C

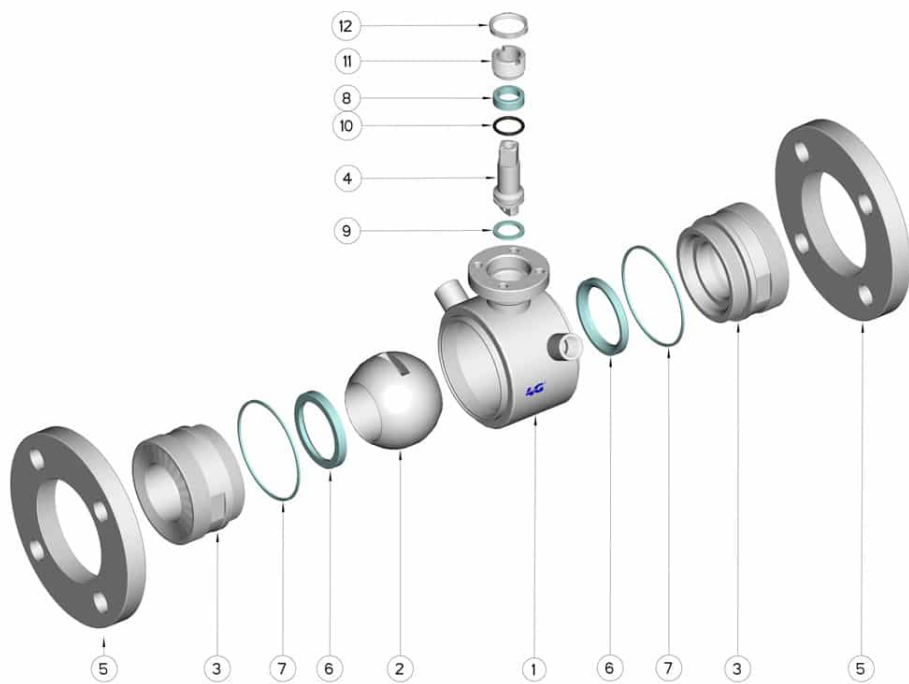
PTFE with inox -20°C+200°C

UHMW High-molecular weight polyethylene -20°C+80°C



DN	DN	L	H	Ø F	D	B	R	A	n° x F	g	PN	Kg	ISO-DIN	Ø a	b	Ø c x o	□	d	e	f	n° 4 BOLTS	Nm	COD. AISI 304L	COD. AISI 316L
25*	25*	125	51.5	52	115	14	51	85	4 x 14	1/4"	40	-	F.04	54	9	30x3	11	10	42	6	M5x16	15	-	103050C62610
25*	25*	125	51.5	52	115	14	51	85	4 x 14	1/4"	40	-	F.05	65	9	35x3	14	13	50	7	M6x16	15	-	103050C6261F
32*	32*	130	56.5	60	140	16	63	100	4 x 18	1/4"	40	-	F.04	54	9	30x3	11	10	42	6	M5x16	18	-	103050C63010
32*	32*	130	56.5	60	140	16	63	100	4 x 18	1/4"	40	-	F.05	65	9	35x3	14	13	50	7	M6x16	18	-	103050C6301F
40	40	140	76	73	150	16	75	110	4 x 18	3/8"	40	-	F.05	65	12	35x4	14	13	50	7	M6x20	25	-	103050C63410
40	40	140	76	73	150	16	75	110	4 x 18	3/8"	40	-	F.07	90	12	55x4	17	15	70	9	M8x20	25	-	103050C6341F
50	50	150	84	88	165	18	89	125	4 x 18	3/8"	40	-	F.05	65	12	35x4	14	13	50	7	M6x20	30	-	103050C63810
50	50	150	84	88	165	18	89	125	4 x 18	3/8"	40	-	F.07	90	12	55x4	17	15	70	9	M8x20	30	-	103050C6381F
65	65	170	94.5	113	185	18	110	145	4 x 18	1/2"	16	14,16	F.07	90	12	55x4	17	15	70	9	M8x20	45	-	103050C64410
65	65	170	94.5	113	185	18	110	145	4 x 18	1/2"	16	-	F.10	120	12	70x4	22	18	102	11	M10x25	45	-	103050C6441F
65	65	170	94.5	113	185	20	110	145	8 x 18	1/2"	40	-	F.07	90	12	55x4	17	15	70	9	M8x20	45	-	103052C64410
65	65	170	94.5	113	185	20	110	145	8 x 18	1/2"	40	-	F.10	120	12	70x4	22	18	102	11	M10x25	45	-	103052C6441F
80	80	180	106	135	200	18	120	160	8 x 18	1/2"	16	-	F.07	90	12	55x4	17	15	70	9	M8x20	70	-	103050C64810
80	80	180	106	135	200	18	120	160	8 x 18	1/2"	16	-	F.10	120	12	70x4	22	18	102	11	M10x25	70	-	103050C6481F
80	80	180	106	135	200	22	120	160	8 x 18	1/2"	40	-	F.07	90	12	55x4	17	15	70	9	M8x20	70	103052C44810	103052C64810
80	80	180	106	135	200	22	120	160	8 x 18	1/2"	40	-	F.10	120	12	70x4	22	18	102	11	M10x25	70	103052C4481F	103052C6481F
100	100	190	120	167	220	20	140	180	8 x 18	1/2"	16	24,20	F.07	90	12	55x4	17	15	70	9	M8x20	80	103050C45410	103050C65410
100	100	190	120	167	220	20	140	180	8 x 18	1/2"	16	24,20	F.10	120	12	70x4	22	18	102	11	M10x25	80	103050C4541F	103050C6541F
100	100	190	120	167	235	22	140	190	8 x 22	1/2"	25	-	F.07	90	12	55x4	17	15	70	9	M8x20	80	103052C45410	103052C65410
100	100	190	120	167	235	22	140	190	8 x 22	1/2"	25	-	F.10	120	12	70x4	22	18	102	11	M10x25	80	103052C4541F	103052C6541F
125 (Reduced)	100	200	120	167	250	22	153	210	8 x 18	1/2"	16	-	F.07	90	12	55x4	17	15	70	9	M8x20	80	103050C45510	103050C65510
125 (Reduced)	100	200	120	167	250	22	153	210	8 x 18	1/2"	16	-	F.10	120	12	70x4	22	18	102	11	M10x25	80	103050C4551F	103050C6551F

*Dal DN10 al DN32 compreso, abbinare KIT di montaggio 747500.



POSITION	DENOMINATION	PIECES	MATERIAL
1	Body	1	AISI (304L) 316L
2	Ball	1	AISI (304L) 316L
3	Sleeves	2	AISI (304L) 316L
4	Stem	1	AISI (304L) 316L
5	Flanges	2	AISI (304L) 316L
6	Ball Seals	2	PTFE Vergine Modificato
7	Sleeve Seals	2	PTFE
8	Stem Seal	1	PTFE
9	Stem Seal	1	PTFE
10	Stem or-Seal	1	FKM
11	Register ring	1	AISI 304L (303)
12	Locknut	1	AISI 303

