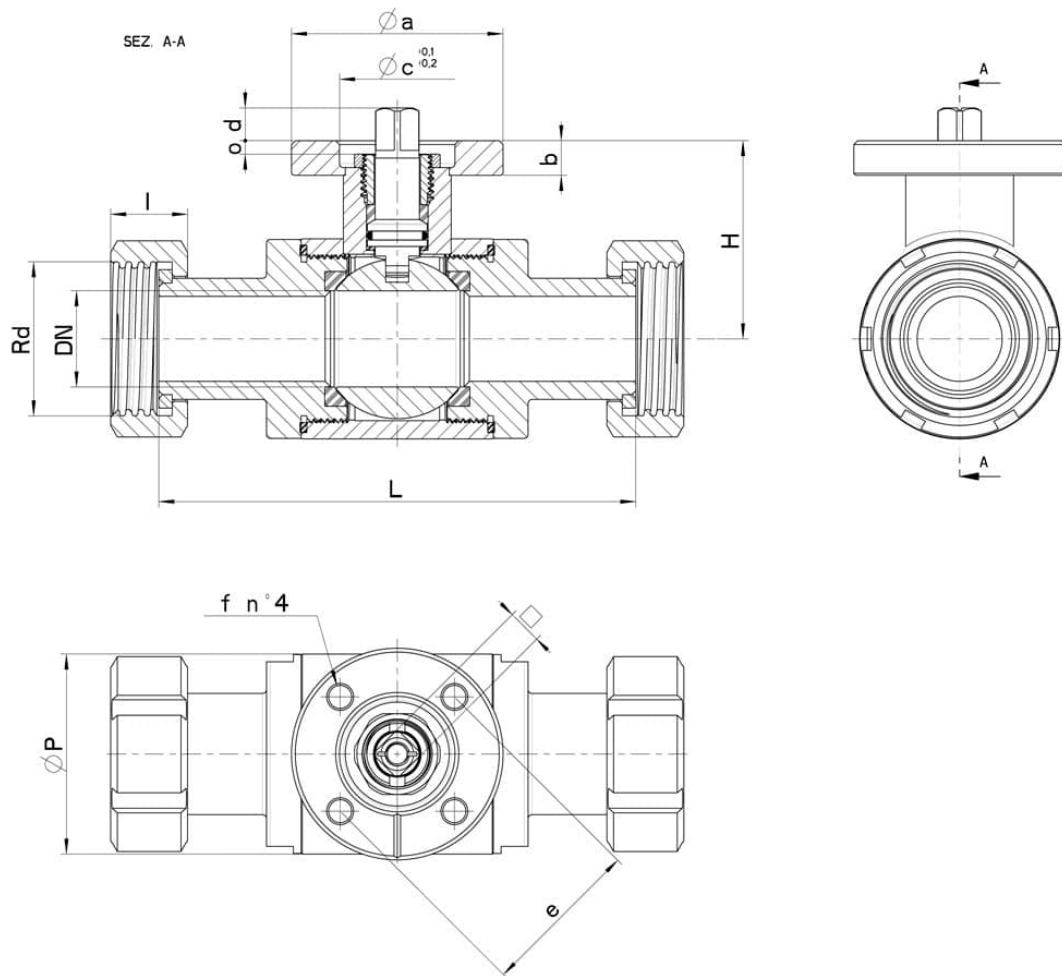


103046 STANDARD SEALS – M/M SMS

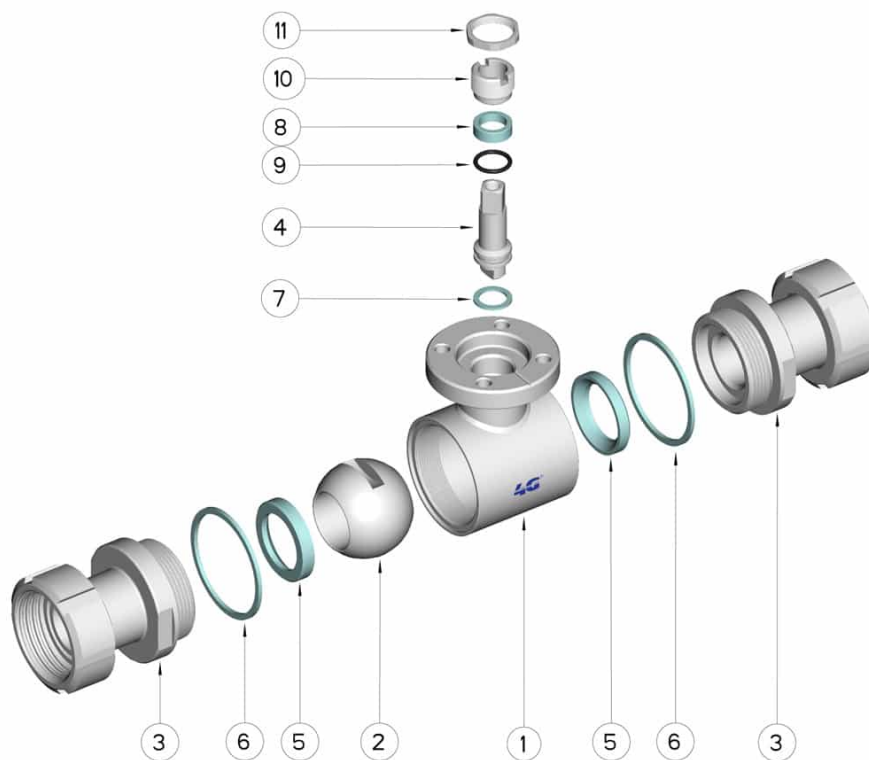


TWO-way ball valve
Drive: ISO 5211 – DIN 3337 flange for actuator
Connection: SMS male/male
Flow: Full
Material: Aisi 304L (1.4307) – Aisi 316L (1.4404)
Measure: from DN20 to DN100
Seals: Modified Virgin P.T.F.E.
Operating temperature: -20°C+170°C
Outer finish: Polished
Screws for mounting actuator included

On request:
Antistatic device ATEX:
II 2G Ex h IIC T4 Gb
II 2D Ex h IIIC T135°C Db
M.O.C.A. CE 1935/2004
• Seals made of:
PTFE with glass -20°C+170°C
PTFE with carbographite -20°C+180°C
PTFE with inox -20°C+200°C
UHMW High-molecular weight polyethylene -20°C+80°C



DN	SMS	Rd	L	H	Ø P	l	PN	Kg	ISO-DIN	Ø a	b	Ø c x o	□	d	e	f	n° 4 Bolts	Nm	CODE AISI 304L	CODE AISI 316L
20	(Reduced) 25	40 x 1/6"	114	45	42	20	100	-	F.03	46	9	25x3	9	8	36	6	M5x16	12	-	103046 62410
20	(Reduced) 25	40 x 1/6"	114	45	42	20	100	-	F.04	54	9	30x3	11	10	42	6	M5x16	12	-	103046 6241F
25	25	40 x 1/6"	124	51,5	52	20	64	-	F.04	54	9	30x3	11	10	42	6	M5x16	15	-	103046 62610
25	25	40 x 1/6"	124	51,5	52	20	64	-	F.05	65	9	35x3	14	13	50	7	M6x16	15	-	103046 6261F
40	38	60 x 1/6"	144	76	73	25	64	-	F.05	65	12	35x4	14	13	50	7	M6x20	25	-	103046 63410
40	38	60 x 1/6"	144	76	73	25	64	-	F.07	90	12	55x4	17	15	70	9	M8x20	25	-	103046 6341F
50	51	70 x 1/6"	156	84	88	26	40	-	F.05	65	12	35x4	14	13	50	7	M6x20	30	-	103046 63810
50	51	70 x 1/6"	156	84	88	26	40	-	F.07	90	12	55x4	17	15	70	9	M8x20	30	-	103046 6381F
65	63	85 x 1/6"	178	94,5	113	30	40	-	F.07	90	12	55x4	17	15	70	9	M8x20	45	-	103046 64410
65	63	85 x 1/6"	178	94,5	113	30	40	-	F.10	125	12	70x4	22	18	102	11	M10x25	45	-	103046 6441F
65	(Reduced) 76	98 x 1/6"	182	94,5	113	30	40	-	F.07	90	12	55x4	17	15	70	9	M8x20	45	-	103046 64510
65	(Reduced) 76	98 x 1/6"	182	94,5	113	30	40	-	F.10	125	12	70x4	22	18	102	11	M10x25	45	-	103046 6451F
80	76	98 x 1/6"	198	106	135	32	40	-	F.07	90	12	55x4	17	15	70	9	M8x20	70	103046 44810	103046 64810
80	76	98 x 1/6"	198	106	135	32	40	-	F.10	125	12	70x4	22	18	102	11	M10x25	70	103046 4481F	103046 6481F
100	104	125 x 1/4"	206	120	167	32	25	-	F.07	90	12	55x4	17	15	70	9	M8x20	80	103046 45410	103046 65410
100	104	125 x 1/4"	206	120	167	32	25	-	F.10	125	12	70x4	22	18	102	11	M10x25	80	103046 4541F	103046 6541F
100	101	132 x 1/6"	206	120	167	32	25	-	F.07	90	12	55x4	17	15	70	9	M8x20	80	103046 45510	103046 65510
100	101	132 x 1/6"	206	120	167	32	25	-	F.10	125	12	70x4	22	18	102	11	M10x25	80	103046 4551F	103046 6551F



Position	Denomination	PEZZI	MATERIAL
1	Body	1	AISI 316L
2	Ball	1	AISI 316L
3	Sleeves	2	AISI 316L
4	Stem	1	AISI 316L
5	Ball Seals	2	PTFE Vergine Modificato
6	Sleeve Seals	2	PTFE
7	Stem Seal	1	PTFE
8	Stem Seal	1	PTFE
9	Stem or-Seal	1	FKM
10	Register ring	1	AISI 304L (303)
11	Locknut	1	AISI 303

