

103042_STANDARD SEALS_BUTT-WELDING IN ACCORDING TO ISO 1127



TWO-way ball valve

Drive: ISO 5211 - DIN 3337 flange for actuator

Connection: Butt-welding in according to ISO 1127

Flow: Full

Material: Aisi 316L (1.4404)

Measure: from DN10 to DN100

Seals: Modified Virgin P.T.F.E.

Operating temperature: -20°C+170°C

Outer finish: Polished

Screws for mounting actuator included

On request:

Antistatic device ATEX:

II 2G Ex h IIC T4 Gb

II 2D Ex h IIIC T135°C Db

M.O.C.A. CE 1935/2004

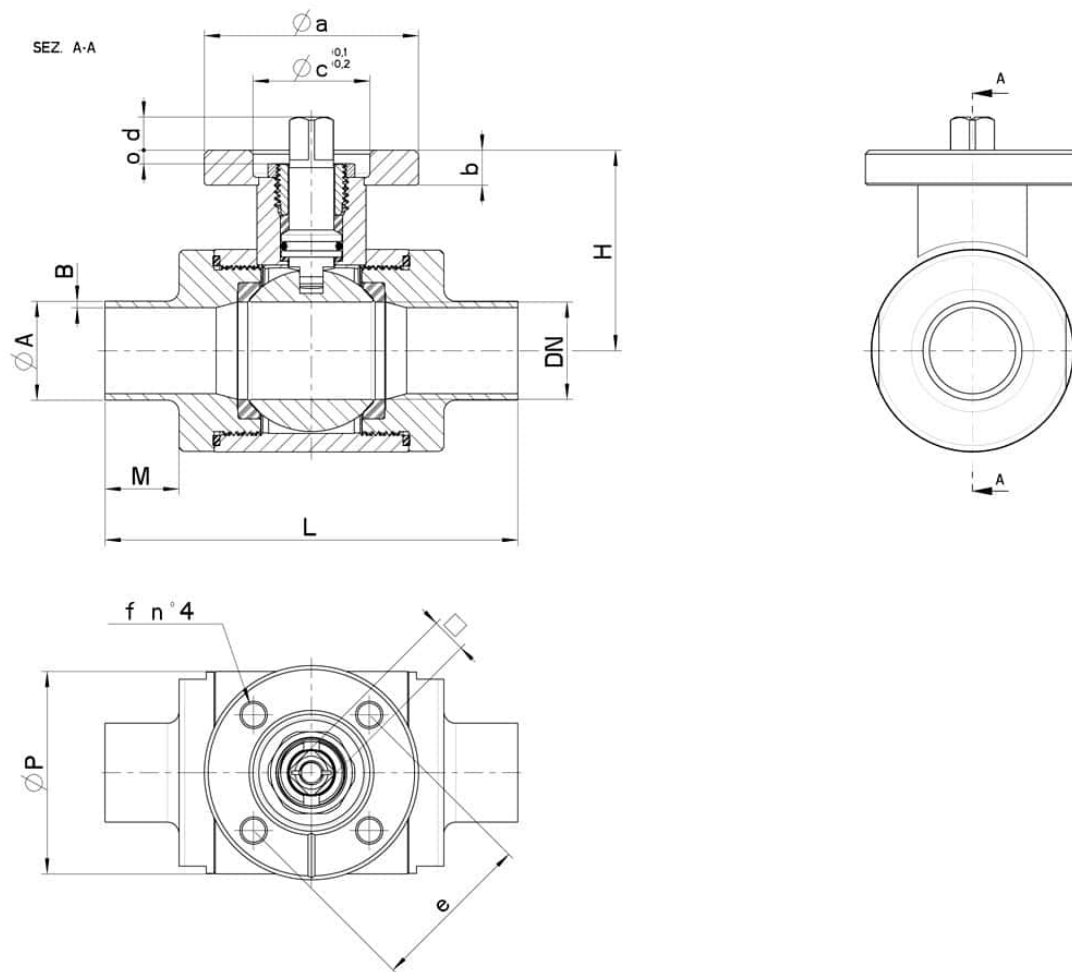
• Seals made of:

PTFE with glass -20°C+170°C

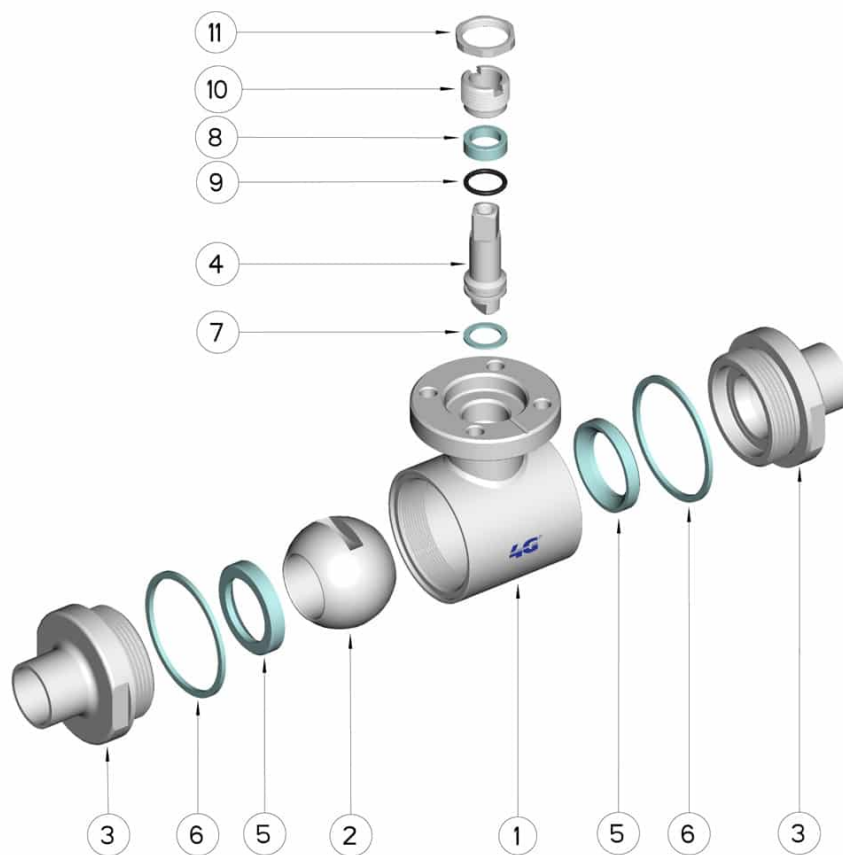
PTFE with carbographite -20°C+180°C

PTFE with inox -20°C+200°C

UHMW High-molecular weight polyethylene -20°C+80°C



DN	L	Ø A x B	M	H	Ø P	PN	Kg	ISO-DIN	Ø a	b	Ø c x o	□	d	e	f	n° 4 Bolts	Nm	CODE AISI 316L
10	88	17,2 x 1,65	-	39	30	100	0,486	F.03	46	9	25x3	9	8	36	6	M5x16	5	103042 6B310
10	88	17,2 x 1,65	-	39	30	100	-	F.04	54	9	30x3	11	10	42	6	M5x16	5	103042 6B31F
15	92	21,3 x 1,65	16	41,5	35	100	0,50	F.03	46	9	25x3	9	8	36	6	M5x16	8	103042 6C210
15	92	21,3 x 1,65	16	41,5	35	100	-	F.04	54	9	30x3	11	10	42	6	M5x16	8	103042 6C21F
20	102	26,9 x 1,65	16	45	42	100	0,70	F.03	46	9	25x3	9	8	36	6	M5x16	12	103042 6E310
20	102	26,9 x 1,65	16	45	42	100	0,72	F.04	54	9	30x3	11	10	42	6	M5x16	12	103042 6E31F
25	106	33,7 x 2	19	51,5	52	64	-	F.04	54	9	30x3	11	10	42	6	M5x16	15	103042 6H910
25	106	33,7 x 2	19	51,5	52	64	1,12	F.05	65	9	35x3	14	13	50	7	M6x16	15	103042 6H91F
32	112	42,4 x 2	19	56,5	60	64	-	F.04	54	9	30x3	11	10	42	6	M5x16	18	103042 6L210
32	112	42,4 x 2	19	56,5	60	64	1,40	F.05	65	9	35x3	14	13	50	7	M6x16	18	103042 6L21F
40	126	48,3 x 2	19	76	73	64	2,38	F.05	65	12	35x4	14	13	50	7	M6x20	25	103042 6M110
40	126	48,3 x 2	19	76	73	64	-	F.07	90	12	55x4	17	15	70	9	M8x20	25	103042 6M11F
50	136	60,3 x 2	19	84	88	40	3,375	F.05	65	12	35x4	14	13	50	7	M6x20	30	103042 6Q910
50	136	60,3 x 2	19	84	88	40	-	F.07	90	12	55x4	17	15	70	9	M8x20	30	103042 6Q91F
65	154	76,1 x 2	21	94,5	113	40	-	F.07	90	12	55x4	17	15	70	9	M8x20	45	103042 6U610
65	154	76,1 x 2	21	94,5	113	40	-	F.10	125	12	70x4	22	18	102	11	M10x25	45	103042 6U61F
80	184	88,9 x 2	27	106	135	40	9,10	F.07	90	12	55x4	17	15	70	9	M8x20	70	103042 6W910
80	184	88,9 x 2	27	106	135	40	-	F.10	125	12	70x4	22	18	102	11	M10x25	70	103042 6W91F
100	190	114,3 x 2	27	120	167	25	-	F.07	90	12	55x4	17	15	70	9	M8x20	80	103042 6Y410
100	190	114,3 x 2	27	120	167	25	14,20	F.10	125	12	70x4	22	18	102	11	M10x25	80	103042 6Y41F



Position	Denomination	PEZZI	MATERIAL
1	Body	1	AISI 316L
2	Ball	1	AISI 316L
3	Sleeves	2	AISI 316L
4	Stem	1	AISI 316L
5	Ball Seals	2	PTFE Vergine Modificato
6	Sleeve Seals	2	PTFE
7	Stem Seal	1	PTFE
8	Stem Seal	1	PTFE
9	Stem or-Seal	1	FKM
10	Register ring	1	AISI 304L (303)
11	Locknut	1	AISI 303

